

Arc Beam RGBW

SIDE MOUNTED LED TAPE LIGHT

Project Name:

Fixture Type:

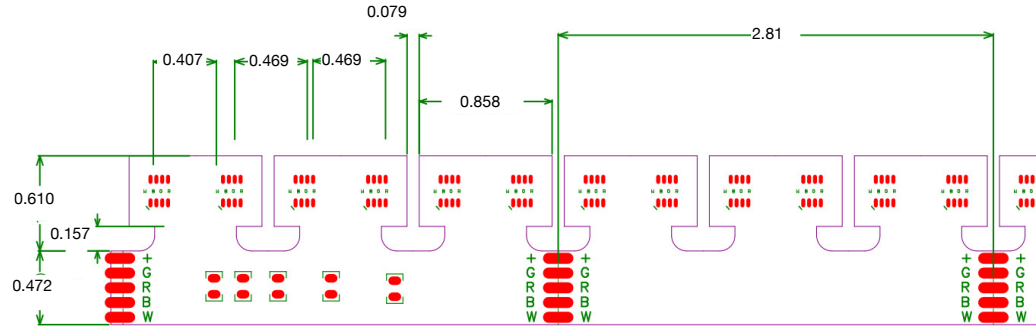
DESCRIPTION

Our Arc Beam RGBW Tape Light is used when the need for both dynamic and static light arises. This product is controlled with DMX wall controller and decoder, which allows dimming, color change and preset scenes. It is designed to smoothly bend on the horizontal axis.

DIMENSIONS

SPECIFICATIONS

- Voltage: 24V
- Watts per foot: 4.4 W/ft
- 25.45 LEDs per foot
- Dimmable
- Backed with 3M Adhesive
- Ambient Temperature: -4°F ~ +113°F
- Humidity: 40% ~ 70% R
- Protection: IP20
- 50,000 Hours Lamp Life
- Max Run: 17.5 Feet
- CRI ≥ 94 , R_a ≥ 94
- UL Listed for US and Canada
- 5 Year Warranty



Please see PreciseLED.com for warranty and installation information.

ORDERING CODE

Example: **ARGW-12"-24V-94C-30K**

Product	Spool Length	Volts	CRI	Color Temperature
ARGW	'ft "in Custom Length Length Increment: 1.08 inches	24V- 24 Volts	90C ≥ 90CRI	30K 3000K 35K 3500K 40K 4000K

COMPATIBLE TAPE LIGHT CHANNELS



ZNLT- ARC1

Dimensions: 1.35"W x 0.84"H



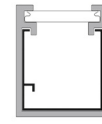
ZNLT-ARC1- PM

Dimensions: 0.89"W x 1.00"H



ZNLT-ARC1- SM

Dimensions: 0.89"W x 1.00"H

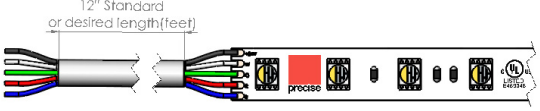
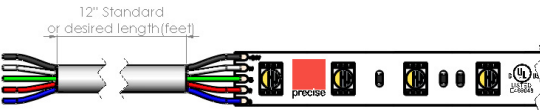
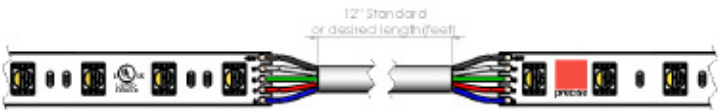


ZNLT-FLEX

Dimensions: 0.93"W x 0.94"H

Arc Beam RGBW

SIDE MOUNTED LED TAPE LIGHT

Optional Wiring Configurations	Description	Ordering Code
	Custom Tail Wire Length	TAIW
	Custom Lead Wire Length	LEAW
	Tail Jumper Cable	JUMP

ORDERING CODE

Example: ARGW-16'-24V-95C-14TAIW

COMPATIBLE TAPE LIGHT DRIVERS



NN Series

Non-Dimming LED Driver, Class 2
Constant Voltage Flicker Free, 24V

30 Watts:

Part #: DRIV-NN-24V-30W

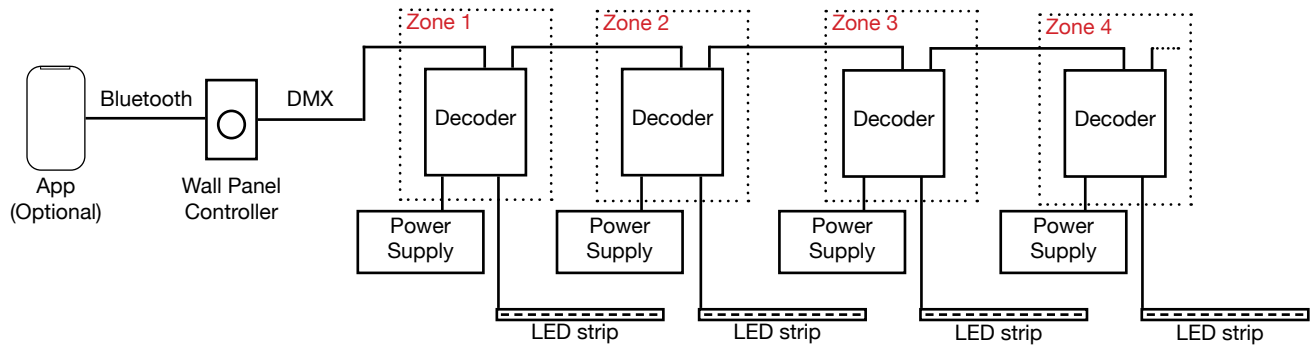
60 Watts:

Part #: DRIV-NN-24V-60W

96 Watts:

Part #: DRIV-NN-24V-96W

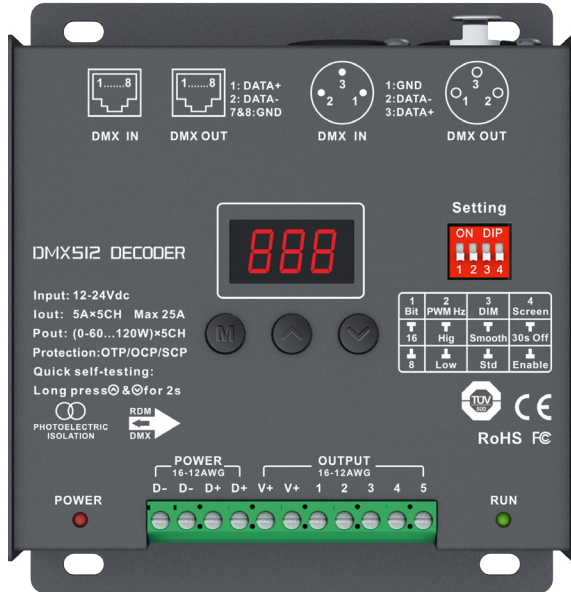
SYSTEM DIAGRAM



Arc Beam RGBW

SIDE MOUNTED LED TAPE LIGHT

DMX DECODER (ORDER SEPARATELY)



Input Voltage: 12-24V DC
Current Load: 5A x 5CH
Output Power: 96W (5 channels total) use with class 2 power supply
Output Signal: DMX512 / RDM
Supported DMX ports: 3-pin XLR, RJ45 (Provided by user)
Dimensions: L4.8 x W4.4 x H1.5in
Operating Temperature: -22°F~149°F
Weight: 1.2 lb
Certification: UL, FCC, CE, RoHS, TUV
Protection: Short circuit / Over-heat / Over current

Note:



An amplifier is needed if more than 32 decoders are connected, should not exceed 5 times continuously.

If recoil effect occurs, please try to connect 0.25W 90-120Ω terminal resistor at the end of each signal cable. See installation instruction for more information.

Ordering Code: DXDR-L5

DMX WALL MOUNT CONTROLLER (ORDER SEPARATELY)



Input Voltage: 12-24V DC use with Class 2 Power Supply
Material: Aluminum frame, tempered glass
Mounting: Wall Mount (fits standard US wallbox)
Wireless protocol: Bluetooth 5.0 Mesh
Output signal: DMX 512
Supported DMX ports: D+,D-,GND wire terminals
Number of Zone: 4
Number of Scene: 4
Dimensions: L4.7 x W3.0 x H1.2 in
Operating Temperature: -68°F~131°F
Weight: 0.5 lb
Certification: UL certified

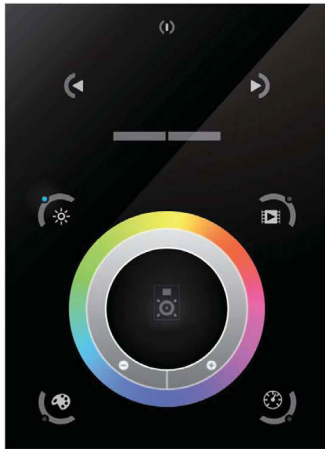


Ordering Code: CTRL-DMX-WC-U4

Arc Beam RGBW

SIDE MOUNTED LED TAPE LIGHT

■ **DMX WALL MOUNT CONTROLLER (ORDER SEPARATELY)**



■ **SPECIFICATIONS**

Input Power: 6-7VDC
Output Signal: DMX512 (1024 channels)
Programmability: PC, Mac, Tablet, Smartphone
Memory: microSD (32Gb Max)
Dimensions: 5.75 x 4.15 x 0.43 inches
Weight: 0.54 lb
Standards: EC, EMC, ROHS, ETL

■ **ORDERING CODE**

CTRL-DMX-WC-D3

■ **DMX WALL MOUNT CONTROLLER COMPARISON**

Part#	CTRL-DMX-WC-U4	CTRL-DMX-WC-D3
Picture		
Type/Discription	DMX Wall Mount Controller	DMX Wall Mount Controller
Supported Tape	RGB/RGBW	CT/RGB/RGBW
Stand Alone	<ul style="list-style-type: none"> •Number of scenes 4 •Number of zones 4 •Power voltage 12-24V DC Screw terminal 	<ul style="list-style-type: none"> •Number of scenes 500 •Number of zones 10 •Memory capacity 32gb Max •Power voltage 6-7V DC(supplied) •Power connector Screw terminal or RJ45
Output Protocol	DMX512,Bluetooth 5.0 Mesh (1 Universe)	DMX512 (x2) (2 Universes)
Programmability	iOS, Android App	PC, Mac, Tablet
Connection Port	DMX terminal: DMX-,DMX+,GND	USB,Ethernet, RS232, Clock, 8 dry contact ports, open drain output(for relay)
Features	Color: Black/White	Color: Black
	Simple Programming via App	Complex Programming via App and computer software(ESA2, ESA Pro 2 PC/Mac)
	None	Graphic color screen for scene pictures, in screen settings
	Controls 1-16 address	Controls 1-1024 channel
Triggering	<ul style="list-style-type: none"> •Live control Color / Dimmer •Touch sensitive buttons + wheel 	<ul style="list-style-type: none"> •Live control Color / Dimmer / Saturation •Touch sensitive buttons + wheel •Port triggers 8 •Clock/calendar triggers 100/(Sunrise/Sunset) •WIFI integration
Size	120x75x30mm	146x106x11mm
Weight	22.5g	247g
Standards	UL	EMC,ROHS,ETL