

Beam Double Wet

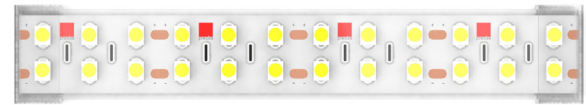
LED TAPE LIGHT

Project Name:

Fixture Type:

DESCRIPTION

All PreciseLED tape light products feature a flexible copper core and are cut and soldered to specified length in our factory. PreciseLED tape lights additionally have best-in-class color rendering, color consistency, and, when combined with our dimming drivers, dimming and flickering performance. Our BEAM Double Wet Tape Light is for when compromise is not an option. With a wet location rating of IP65, there's not much this LED tape light cannot handle. The silicone sleeve is protective against Hi Stream Water Jets and is specially formulated not to change the color temperature.



SPECIFICATIONS

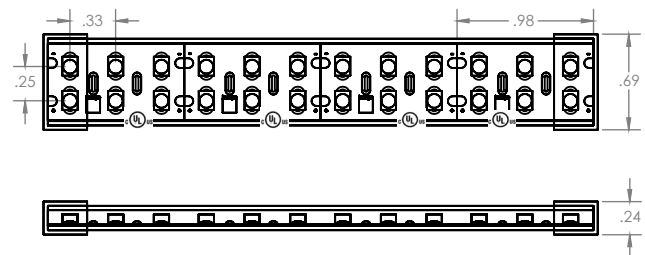
- Voltage: 24V
- Watts per foot: 5.85W/ft
- Average Lumens per foot: 278 Lm/ft
- 3528 LEDs
- 72 LED's per foot
- Dimmable using dimmable driver
- Backed with 3M Adhesive
- Ambient Temperature: -4°F ~ +113°F
- Humidity: 40% ~ 70% R
- Protection: IP66
- 50,000 Hours Lamp Life
- Max Run: 13.12 Feet
- 3 Step Binning Process
- CRI ≥ 95 , R_r ≥ 95 , R_g ≥ 100
- UL Listed for US and Canada
- 5 Year Warranty

Please see PreciseLED.com for warranty and installation information.

ORDERING CODE

Example: BEDW-16'-24V-95C-30K

DIMENSIONS

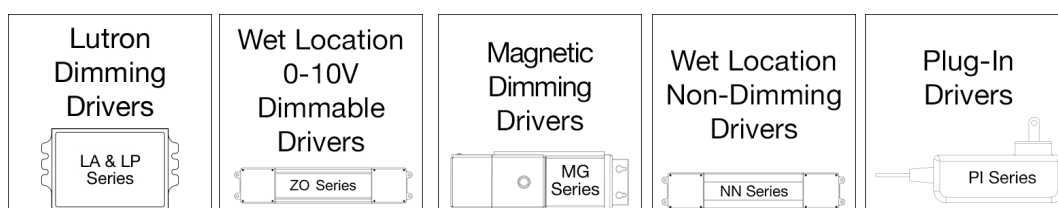


LUMEN OUTPUT PER COLOR TEMPERATURE

2700K	295 Lm/ft
3000K	237 Lm/ft
3500K	303 Lm/ft

Product	Spool Length	Volts	CRI	Color Temperature	Ambience
BEDW	'ft "in Custom Length For ordering lengths, see page 3.	24V 24 Volts	95 95CRI	22K 2200K 24K 2400K 27K 2700K 30K 3000K 35K 3500K 40K 4000K	Standard

COMPATIBLE TAPE LIGHT DRIVERS

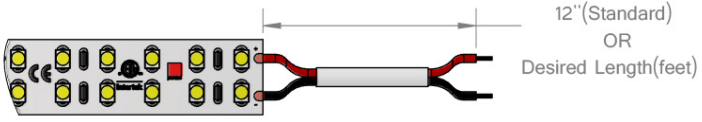
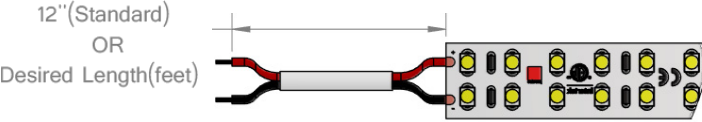





Beam Double Wet

LED TAPE LIGHT

Project Name:

Fixture Type:

Optional Wiring Configurations	Description	Ordering Code
	Custom Tail Wire Length	TAIW
	Custom Lead Wire Length	LEAW
	Tail Jumper Cable	JUMP
	2.1MM DC CONNECTOR (FEMALE)	PLGF
	2.1MM DC CONNECTOR (MALE)	PLGM

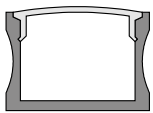
*Default wire length is 12", no number in front of ordering code indicates default length

Note: Solder points are secured with cable grips.

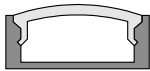
ORDERING CODE

Example: BEDW-16'-24V-95C-30K-14TAIW

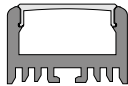
COMPATIBLE TAPE LIGHT CHANNELS



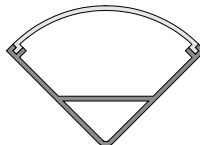
FGRE - Figure



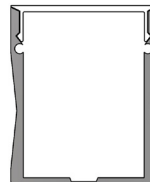
FGFL - Figure Flat



CNWD - Connectwide



45WD - 45 Degree Wide



FGTL - Figure Tall

Click [here](#) to view our Tape Light Channels

Beam Double Wet

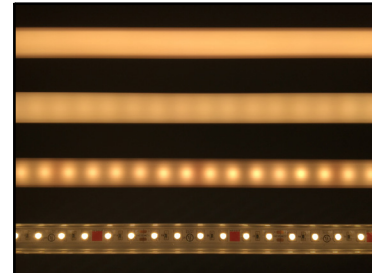
LED TAPE LIGHT

Project Name:

Fixture Type:

■ LEVEL OF SPOTLESSNESS PER CHANNEL/ LENS COMBINATION

	Opal Lens	Diffuse Lens	Clear Lens
FIGURE	SL	SL	CL
FIGURE FLAT	SP	SP	CL
CONNECTWIDE	SS	SS	CL
FIGURE TALL	SL	SL	CL

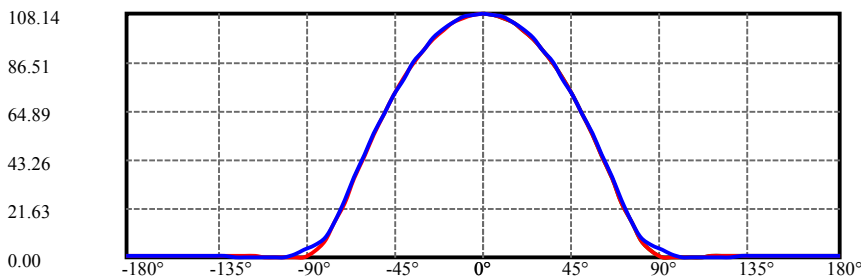
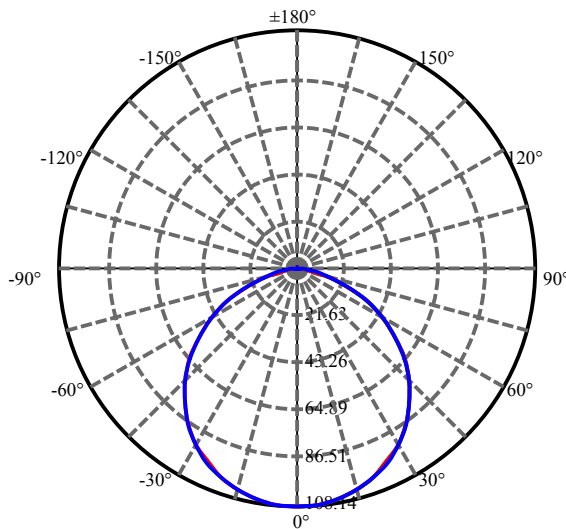


SL = Spotless
SS = Slightly Spotty
SP = Spotty
CL = Clear

■ TOTAL LUMEN OUTPUT PER CHANNEL/ LENS COMBINATION

	Opal Lens	Diffuse Lens	Clear Lens
FIGURE	30%	51%	70%
FIGURE FLAT	41%	63%	85%
CONNECTWIDE	26%	53%	67%

■ LIGHT DISTRIBUTION CURVE



C0(Max): ———
C0/C180: ———
C90/C270: ———

Field angle(10%Imax):C0/180Left:77.9 Right:77.9
:C90/270Left:78.6 Right:78.6
Beam Angle(50%Imax):C0/180Left:55.3 Right:55.3
:C90/270Left:55.4 Right:55.4

Beam Double Wet

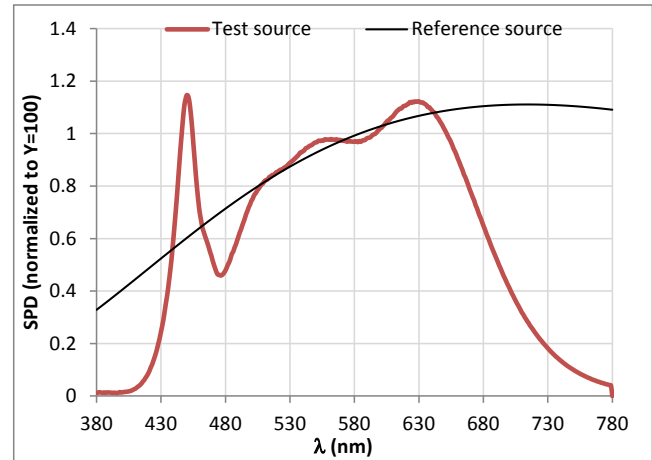
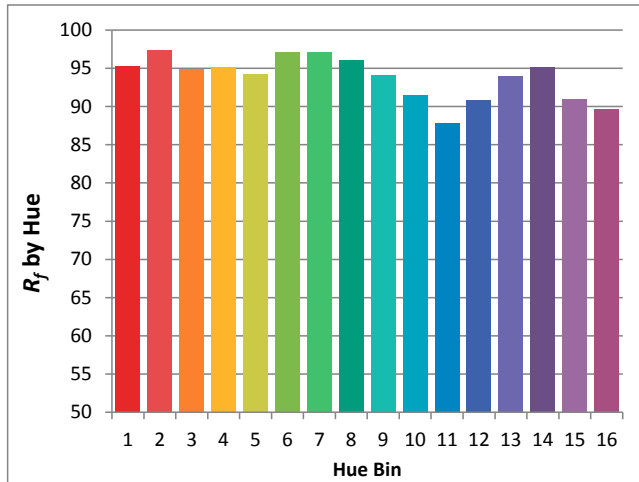
LED TAPE LIGHT

Project Name:

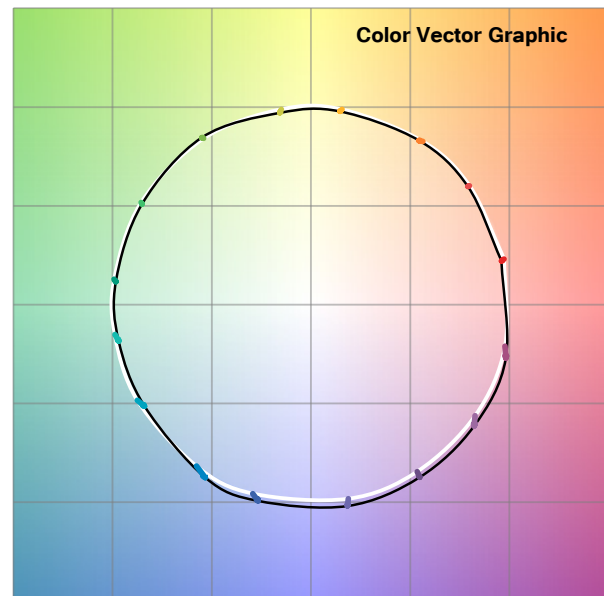
Fixture Type:

■ TM-30 DATA

4000K CCT



Hue Bin	R _f	Graphic shifts (%)	
		Chroma	Hue
1	95	-2%	-1%
2	97	-1%	0%
3	95	-1%	2%
4	95	-1%	1%
5	94	-2%	1%
6	97	1%	1%
7	97	-1%	0%
8	96	-1%	1%
9	94	-1%	4%
10	91	-1%	5%
11	88	2%	7%
12	91	3%	3%
13	94	4%	-1%
14	95	3%	-1%
15	91	2%	-5%
16	90	2%	-6%



Beam Double Wet

LED TAPE LIGHT

Project Name:

Fixture Type:

- Please refer to chart below for exact lengths of the Beam Double Wet Tape Light.

The wet tape light has a starting cap which make it 0.5 inches longer. That means the actual length of the sleeved tape light includes the 0.5 Inches of the starting cap

Ordered Length		Actual Length
(Foot-Inches)	(Inches)	(Inches)
0'-0"	0	0.98
0'-1"	1	1.96
0'-2"	2	2.94
0'-3"	3	3.92
0'-4"	4	4.9
0'-5"	5	5.88
0'-6"	6	6.86
0'-7"	7	7.84
0'-8"	8	8.82
0'-9"	9	9.8
0'-10"	10	10.78
0'-11"	11	11.76
1'-0"	12	12.74
1'-1"	13	13.72
1'-2"	14	14.7
1'-3"	15	15.68
1'-4"	16	16.66
1'-5"	17	17.64
1'-6"	18	18.62
1'-7"	19	19.6
1'-8"	20	20.58
1'-9"	21	21.56
1'-10"	22	22.54
1'-11"	23	23.52
2'-0"	24	24.5
2'-1"	25	25.48
2'-2"	26	26.46
2'-3"	27	27.44
2'-4"	28	28.42
2'-5"	29	29.4
2'-6"	30	30.38
2'-7"	31	31.36
2'-8"	32	32.34
2'-9"	33	33.32
2'-10"	34	34.3
2'-11"	35	35.28
3'-0"	36	36.26
3'-1"	37	37.24
3'-2"	38	38.22
3'-3"	39	39.2
3'-4"	40	40.18
3'-5"	41	41.16
3'-6"	42	42.14
3'-7"	43	43.12
3'-8"	44	44.1
3'-9"	45	45.08
3'-10"	46	46.06
3'-11"	47	47.04
4'-0"	48	48.02
4'-1"	49	49
4'-1"	49	49.98
4'-2"	50	50.96
4'-3"	51	51.94
4'-4"	52	52.92

Ordered Length		Actual Length
(Foot-Inches)	(Inches)	(Inches)
4'-5"	53	53.9
4'-6"	54	54.88
4'-7"	55	55.86
4'-8"	56	56.84
4'-9"	57	57.82
4'-10"	58	58.8
4'-11"	59	59.78
5'-0"	60	60.76
5'-1"	61	61.74
5'-2"	62	62.72
5'-3"	63	63.7
5'-4"	64	64.68
5'-5"	65	65.66
5'-6"	66	66.64
5'-7"	67	67.62
5'-8"	68	68.6
5'-9"	69	69.58
5'-10"	70	70.56
5'-11"	71	71.54
6'-0"	72	72.52
6'-1"	73	73.5
6'-2"	74	74.48
6'-3"	75	75.46
6'-4"	76	76.44
6'-5"	77	77.42
6'-6"	78	78.4
6'-7"	79	79.38
6'-8"	80	80.36
6'-9"	81	81.34
6'-10"	82	82.32
6'-11"	83	83.3
7'-0"	84	84.28
7'-1"	85	85.26
7'-2"	86	86.24
7'-3"	87	87.22
7'-4"	88	88.2
7'-5"	89	89.18
7'-6"	90	90.16
7'-7"	91	91.14
7'-8"	92	92.12
7'-9"	93	93.1
7'-10"	94	94.08
7'-11"	95	95.06
8'-0"	96	96.04
8'-1"	97	97.02
8'-2"	98	98
8'-2"	98	98.98
8'-3"	99	99.96
8'-4"	100	100.94
8'-5"	101	101.92
8'-6"	102	102.9
8'-7"	103	103.88
8'-8"	104	104.86
8'-9"	105	105.84

Ordered Length		Actual Length
(Foot-Inches)	(Inches)	(Inches)
8'-10"	106	106.82
8'-11"	107	107.8
9'-0"	108	108.78
9'-1"	109	109.76
9'-2"	110	110.74
9'-3"	111	111.72
9'-4"	112	112.7
9'-5"	113	113.68
9'-6"	114	114.66
9'-7"	115	115.64
9'-8"	116	116.62
9'-9"	117	117.6
9'-10"	118	118.58
9'-11"	119	119.56
10'-0"	120	120.54
10'-1"	121	121.52
10'-2"	122	122.5
10'-3"	123	123.48
10'-4"	124	124.46
10'-5"	125	125.44
10'-6"	126	126.42
10'-7"	127	127.4
10'-8"	128	128.38
10'-9"	129	129.36
10'-10"	130	130.34
10'-11"	131	131.32
11'-0"	132	132.3
11'-1"	133	133.28
11'-2"	134	134.26
11'-3"	135	135.24
11'-4"	136	136.22
11'-5"	137	137.2
11'-6"	138	138.18
11'-7"	139	139.16
11'-8"	140	140.14
11'-9"	141	141.12
11'-10"	142	142.1
11'-11"	143	143.08
12'-0"	144	144.06
12'-1"	145	145.04
12'-2"	146	146.02
12'-3"	147	147
12'-3"	147	147.98
12'-4"	148	148.96
12'-5"	149	149.94
12'-6"	150	150.92
12'-7"	151	151.9
12'-8"	152	152.88
12'-9"	153	153.86
12'-10"	154	154.84
12'-11"	155	155.82
13'-0"	156	156.8
13'-1"	157	157.78
13'-2"	158	158.76