

Beam Wet

LED TAPE LIGHT

Project Name:

Fixture Type:

DESCRIPTION

All PreciseLED tape light products feature a flexible copper core and are cut and soldered to specified length in our factory. PreciseLED tape lights additionally have best-in-class color rendering, color consistency, and, when combined with our dimming drivers, dimming and flickering performance. Our BEAM Wet Tape Light is for when compromise is not an option. With a wet location rating of IP65, there's not much this LED tape light cannot handle. The silicone sleeve is protective against Hi Stream Water Jets and is specially formulated not to change the color temperature.



SPECIFICATIONS

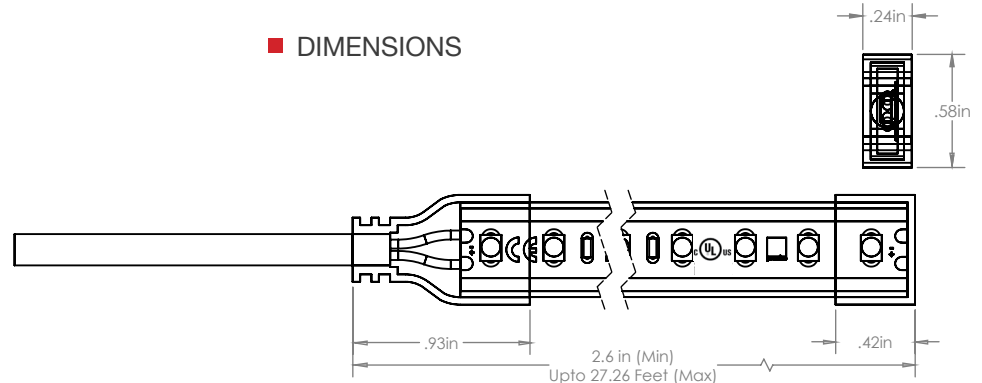
- Voltage: 24V
- Watts per foot: 2.93W/ft
- Average Lumens per foot: 165.5 Lm/ft
- 3528 LEDs
- 36 LED's per foot
- Dimmable using dimmable driver
- Ambient Temperature: -4°F ~ +113°F
- Humidity: 40% ~ 70% R
- Protection: IP66
- 50,000 Hours Lamp Life
- Max Run: 27.26 Feet
- 3 Step Binning Process
- CRI ≥ 95 , R_r ≥ 95 , R_y ≥ 100
- UL Listed for US and Canada
- 5 Year Warranty

Please see PreciseLED.com for warranty and installation information.

ORDERING CODE

Example: BEAW-16'-24V-95C-30K-EGNT

DIMENSIONS

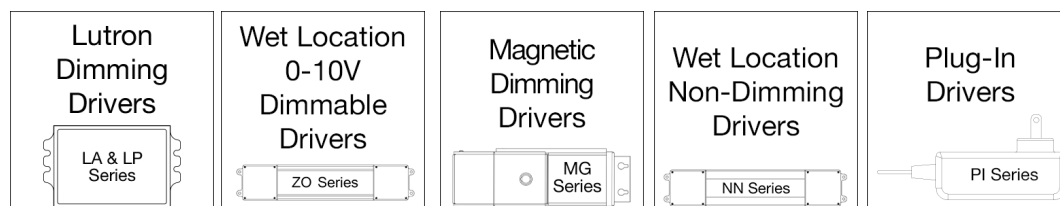


LUMEN OUTPUT PER COLOR TEMPERATURE

2700K	140 Lm/ft
3000K	180 Lm/ft
3500K	147 Lm/ft
4000K	195 Lm/ft

Product	Spool Length	Volts	CRI	Color Temperature	Ambience
BEAW	'ft "in Custom Length For ordering lengths, see page 3.	24V 24 Volts	95 95CRI	22K 2200K 24K 2400K 27K 2700K 30K 3000K 35K 3500K 40K 4000K	Standard EGNITE* *Below Black Body Curve For 3000K and below Click here for Egnite info.

COMPATIBLE TAPE LIGHT DRIVERS



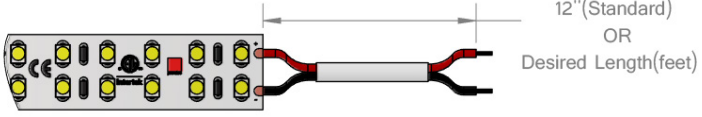
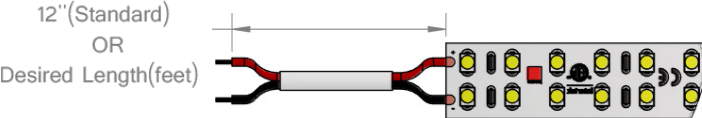



Click [here](#) for a more detailed Driver Overview.

Beam Wet

LED TAPE LIGHT

Project Name:

Fixture Type:

Optional Wiring Configurations	Description	Ordering Code
	Custom Tail Wire Length	TAIW
	Custom Lead Wire Length	LEAW
	Tail Jumper Cable	JUMP
	2.1MM DC CONNECTOR (FEMALE)	PLGF
	2.1MM DC CONNECTOR (MALE)	PLGM

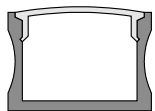
*Default wire length is 12", no number in front of ordering code indicates default length

Note: Solder points are secured with cable grips.

ORDERING CODE

Example: BEAW-16'-24V-95C-30K-EGNT-14TAIW

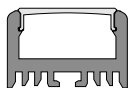
COMPATIBLE TAPE LIGHT CHANNELS



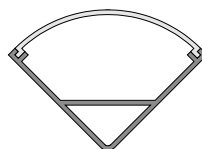
FGRE - Figure



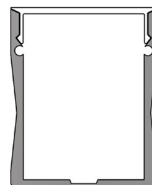
FGFL - Figure Flat



CNWD - Connectwide



45WD - 45 Degree Wide



FGTL - Figure Tall

Click [here](#) to view our Tape Light Channels

Beam Wet

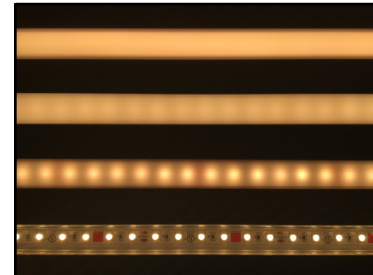
LED TAPE LIGHT

Project Name:

Fixture Type:

LEVEL OF SPOTLESSNESS PER CHANNEL/ LENS COMBINATION

	Opal Lens	Diffuse Lens	Clear Lens
FIGURE	SL	SL	CL
FIGURE SLIM	SP	SP	CL
FIGURE FLAT	SS	SS	CL
CONNECTWIDE	SL	SS	CL
45 DEGREE	SL	SS	CL
FIGURE TALL	SL	SL	CL



SL = Spotless

SS = Slightly Spotty

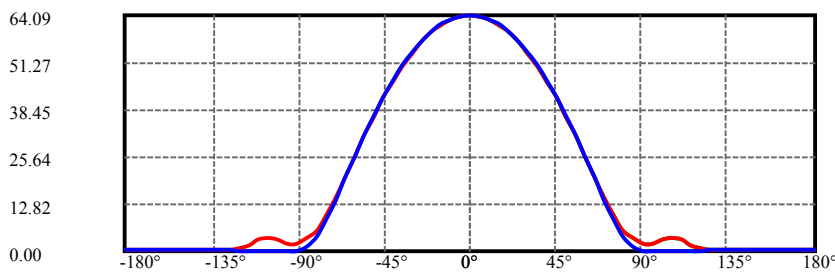
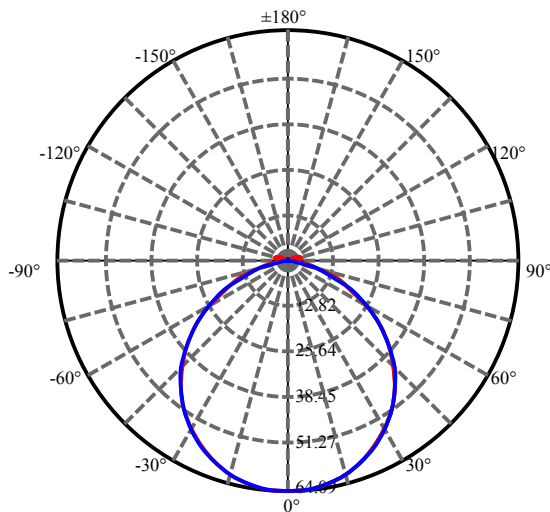
SP = Spotty

CL = Clear

TOTAL LUMEN OUTPUT PER CHANNEL/ LENS COMBINATION

	Opal Lens	Diffuse Lens	Clear Lens
FIGURE	30%	51%	70%
FIGURE SLIM	39%	63%	86%
FIGURE FLAT	41%	63%	85%
CONNECTWIDE	26%	53%	67%
45 DEGREE	25%	49%	62%

LIGHT DISTRIBUTION CURVE



C0(Max): ———

C0/C180: ———

C90/C270: ———

Field angle(10%Imax):C0/180Left:78.8 Right:78.8

:C90/270Left:77.3 Right:77.3

Beam Angle(50%Imax):C0/180Left:54.4 Right:54.4

:C90/270Left:54.5 Right:54.5

Beam Wet

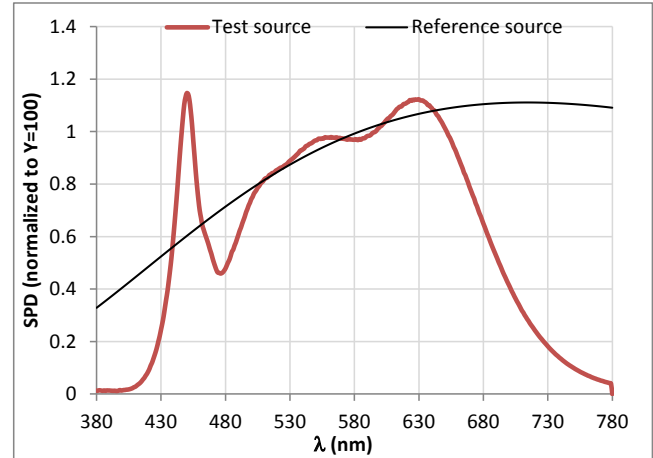
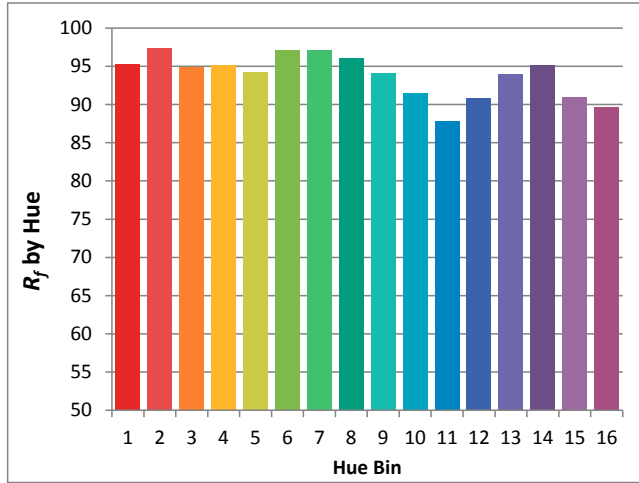
LED TAPE LIGHT

Project Name:

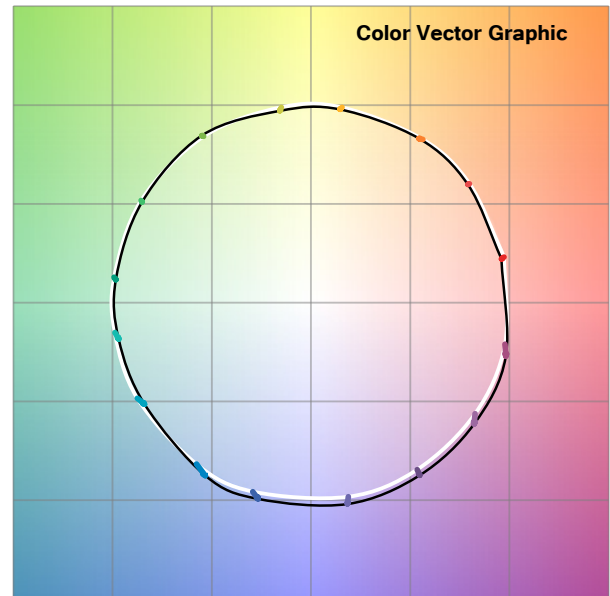
Fixture Type:

■ TM-30 DATA

4000K CCT



Hue Bin	R _f	Graphic shifts (%)	
		Chroma	Hue
1	95	-2%	-1%
2	97	-1%	0%
3	95	-1%	2%
4	95	-1%	1%
5	94	-2%	1%
6	97	1%	1%
7	97	-1%	0%
8	96	-1%	1%
9	94	-1%	4%
10	91	-1%	5%
11	88	2%	7%
12	91	3%	3%
13	94	4%	-1%
14	95	3%	-1%
15	91	2%	-5%
16	90	2%	-6%



Beam Wet

LED TAPE LIGHT

Project Name:

Fixture Type:

■ Please refer to chart below for exact lengths of the Beam Wet Tape Light

The wet tape light has a starting cap which make it 0.5 inches longer. That means the actual length of the sleeved tape light includes the 0.5 Inches of the starting cap

Ordered Length		Actual Length of sleeved Tape Light
(Foot-Inches)	(Inches)	(Inches)
0'-1"	1	2.4
0'-3"	3	4.3
0'-5"	5	6.2
0'-7"	7	8.1
0'-9"	9	10
0'-11"	11	11.9
1'-1"	13	13.8
1'-3"	15	15.7
1'-5"	17	17.6
1'-7"	19	19.5
1'-8"	20	21.4
1'-10"	22	23.3
2'-0"	24	25.2
2'-2"	26	27.1
2'-4"	28	29
2'-6"	30	30.9
2'-8"	32	32.8
2'-10"	34	34.7
3'-0"	36	36.6
3'-2"	38	38.5
3'-3"	39	40.4
3'-5"	41	42.3
3'-7"	43	44.2
3'-9"	45	46.1
3'-11"	47	48
4'-1"	49	49.9
4'-3"	51	51.8
4'-5"	53	53.7
4'-7"	55	55.6
4'-9"	57	57.5
4'-10"	58	59.4
5'-0"	60	61.3
5'-2"	62	63.2
5'-4"	64	65.1
5'-6"	66	67
5'-8"	68	68.9
5'-10"	70	70.8
6'-0"	72	72.7
6'-2"	74	74.6
6'-4"	76	76.5
6'-5"	77	78.4
6'-7"	79	80.3
6'-9"	81	82.2
6'-11"	83	84.1
7'-1"	85	86
7'-3"	87	87.9
7'-5"	89	89.8
7'-7"	91	91.7
7'-9"	93	93.6
7'-11"	95	95.5
8'-0"	96	97.4
8'-2"	98	99.3
8'-4"	100	101.2
8'-6"	102	103.1
8'-10"	106	106.9

Ordered Length		Actual Length of sleeved Tape Light
(Foot-Inches)	(Inches)	(Inches)
9'-0"	108	108.8
9'-2"	110	110.7
9'-4"	112	112.6
9'-6"	114	114.5
9'-7"	115	116.4
9'-9"	117	118.3
9'-11"	119	120.2
10'-1"	121	122.1
10'-3"	123	124
10'-5"	125	125.9
10'-7"	127	127.8
10'-9"	129	129.7
10'-11"	131	131.6
11'-1"	133	133.5
11'-2"	134	135.4
11'-4"	136	137.3
11'-6"	138	139.2
11'-8"	140	141.1
11'-10"	142	143
12'-0"	144	144.9
12'-2"	146	146.8
12'-4"	148	148.7
12'-6"	150	150.6
12'-8"	152	152.5
12'-9"	153	154.4
12'-11"	155	156.3
13'-1"	157	158.2
13'-3"	159	160.1
13'-5"	161	162
13'-7"	163	163.9
13'-9"	165	165.8
13'-11"	167	167.7
14'-1"	169	169.6
14'-3"	171	171.5
14'-4"	172	173.4
14'-6"	174	175.3
14'-8"	176	177.2
14'-10"	178	179.1
15'-0"	180	181
15'-2"	182	182.9
15'-4"	184	184.8
15'-6"	186	186.7
15'-8"	188	188.6
15'-10"	190	190.5
15'-11"	191	192.4
16'-1"	193	194.3
16'-3"	195	196.2
16'-5"	197	198.1
16'-7"	199	200
16'-9"	201	201.9
16'-11"	203	203.8
17'-1"	205	205.7
17'-3"	207	207.6
17'-5"	209	209.5
17'-6"	210	211.4

Ordered Length		Actual Length of sleeved Tape Light
(Foot-Inches)	(Inches)	(Inches)
17'-8"	212	213.3
17'-10"	214	215.2
18'-0"	216	217.1
18'-2"	218	219
18'-4"	220	220.9
18'-6"	222	222.8
18'-8"	224	224.7
18'-10"	226	226.6
19'-0"	228	228.5
19'-1"	229	230.4
19'-3"	231	232.3
19'-5"	233	234.2
19'-7"	235	236.1
19'-9"	237	238
19'-11"	239	239.9
20'-1"	241	241.8
20'-3"	243	243.7
20'-5"	245	245.6
20'-7"	247	247.5
20'-8"	248	249.4
20'-10"	250	251.3
21'-0"	252	253.2
21'-2"	254	255.1
21'-4"	256	257
21'-6"	258	258.9
21'-8"	260	260.8
21'-10"	262	262.7
22'-0"	264	264.6
22'-2"	266	266.5
22'-3"	267	268.4
22'-5"	269	270.3
22'-7"	271	272.2
22'-9"	273	274.1
22'-11"	275	276
23'-1"	277	277.9
23'-3"	279	279.8
23'-5"	281	281.7
23'-7"	283	283.6
23'-9"	285	285.5
23'-10"	286	287.4
24'-0"	288	289.3
24'-2"	290	291.2
24'-4"	292	293.1
24'-6"	294	295
24'-8"	296	296.9
24'-10"	298	298.8
25'-0"	300	300.7
25'-2"	302	302.6
25'-4"	304	304.5
25'-5"	305	306.4
25'-7"	307	308.3
25'-9"	309	310.2
25'-11"	311	312.1
26'-1"	313	314