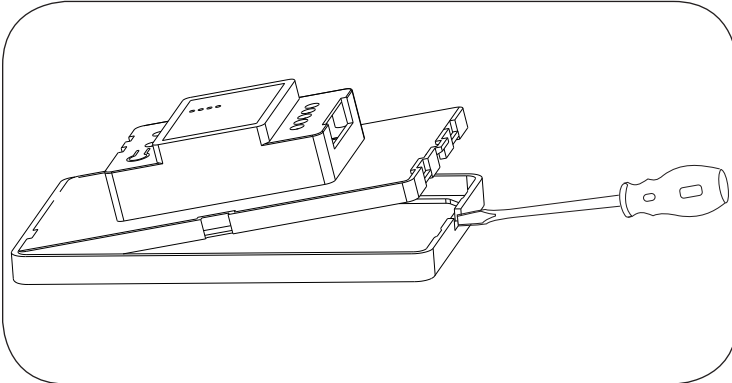


# DMX Wall Panel Controller

## CTRL-DMX-WP-U4 Installation Guide

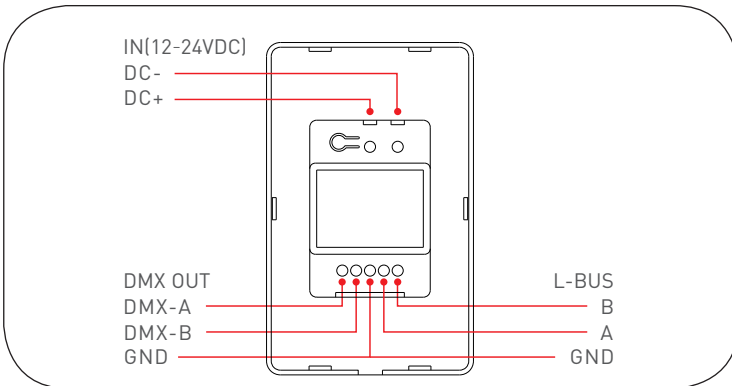
### ■ PLEASE READ INSTRUCTIONS PRIOR TO INSTALLATION

- Installation should be done by certified electrician only.
- For your safety, make sure circuit breaker is turned OFF before installation.



#### Step 1:

Remove the panel plate with a flat-head screwdriver as shown.



#### Step 2:

Connect 12V-24V Class 2 Power Supply (order separately or share with LED strip power supply)

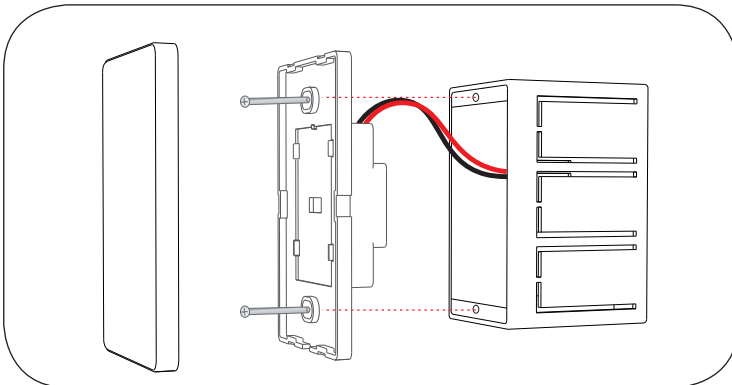
Connect DMX signal cables from decoder to correct terminals as shown on the left.

If using RJ45 cable connect:

WHT/ORG(CH1) to D+,

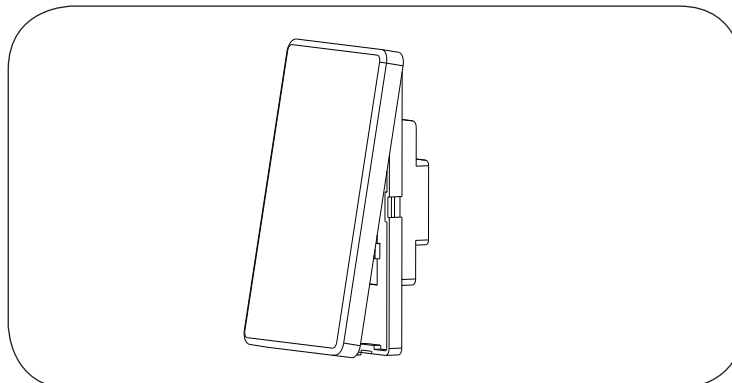
ORG(CH2) to D-,

BRN/WHT&BRN(CH7&8) to GND.



#### Step 3:

Secure Panel housing onto the wall box with 2 screws.



#### Step 4:

Gently snap the panel cover onto the housing.

Installation complete!

# DMX Wall Panel Controller

## CTRL-DMX-WP-U4 Installation Guide

### KEYPAD INSTRUCTION

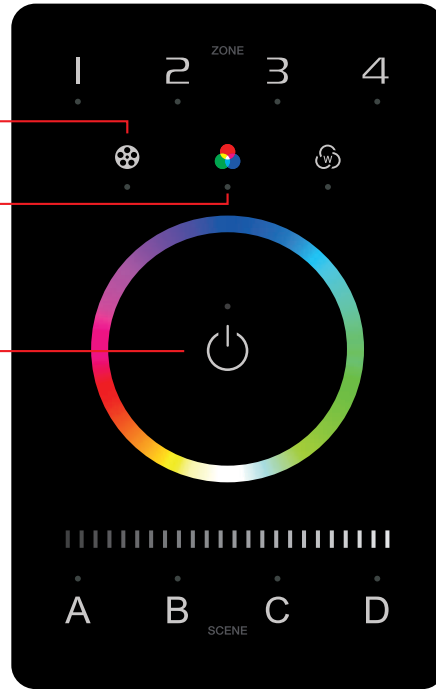
12 modes  
Short press: Play mode  
Long press: Adjust speed

Short press: ON/OFF RGB

Short press : All ON/OFF

12 modes (Press "⊗" to switch)

1. Red-white gradient
2. Green-white gradient
3. Blue-white gradient
4. Red-yellow gradient
5. Red-purple gradient
6. Green-yellow gradient
7. Green-cyan gradient
8. Blue-purple gradient
9. Blue-cyan gradient
10. Yellow-purple-cyan gradient
11. Red-purple-blue-cyan-green-yellow gradient
12. Red-orange-yellow-green-cyan-blue-purple-white gradient



1- 4 Zone keys  
Short press: Turn ON  
Select/Deselect the zone  
Long press: Turn OFF

Short press: Turn ON/OFF white color  
Long press: Adjust brightness of white color

Touch color circle (RGB)

Touch slider bar (BRT)

4 Scene keys  
Short press: Play scene and save scene

### DMX CHANNEL OUTPUT REFERENCE TABLE

Addresses	Types		DIM	CT	CT2	RGBW	RGBWY
	Addresses	Zones					
1			DIM1	C1	BRT1	R1	R1
2			DIM2	W1	CT1	G1	G1
3			DIM3	C2	BRT2	B1	B1
4			DIM4	W2	CT2	W1	W1
5			DIM1	C3	BRT3	R2	Y1
6			DIM2	W3	CT3	G2	R2
7			DIM3	C4	BRT4	B2	G2
8			DIM4	W4	CT4	W2	B2
9			DIM1	C1	BRT1	R3	W2
10			DIM2	W1	CT1	G3	Y2
11			DIM3	C2	BRT2	B3	R3
12			DIM4	W2	CT2	W3	G3
13			DIM1	C3	BRT3	R4	B3
14			DIM2	W3	CT3	G4	W3
15			DIM3	C4	BRT4	B4	Y3
16			DIM4	W4	CT4	W4	R4
17			DIM1	C1	BRT1	R1	G4
18			DIM2	W1	CT1	G1	B4
19			DIM3	C2	BRT2	B1	W4
20			DIM4	W2	CT2	W1	Y4
⋮			⋮	⋮	⋮	⋮	⋮
500			DIM4	W2	CT2	W1	Y4
⋮			⋮	⋮	⋮	⋮	⋮
512			DIM4	W2	CT2	W4	

Set address on decoder according to the table on the left.

## ■ APP INSTRUCTION

### 1. Register an account

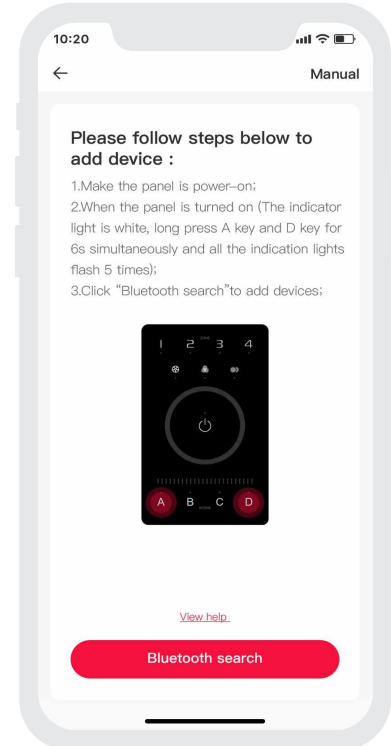
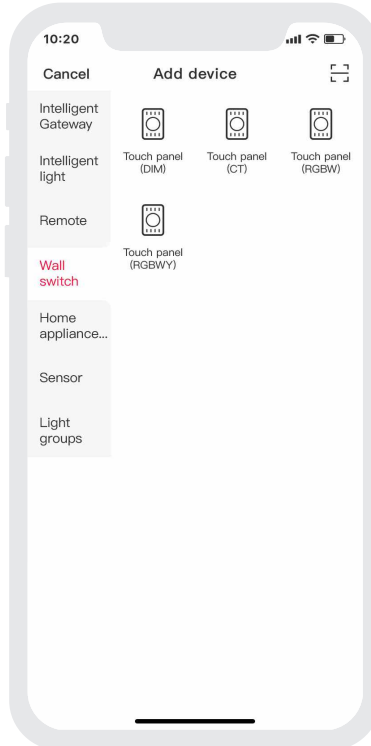
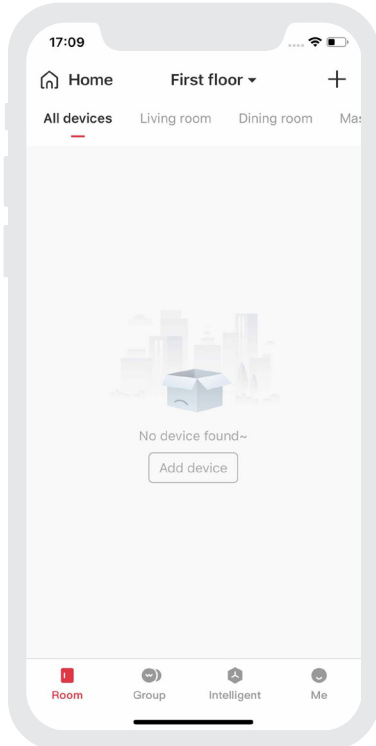
- 1.1 Scan QR code below with your mobile phone and follow the instruction to complete app installation
- 1.2 Register an account using E-mail address or Log In if you already have an account in APP.



Scan QR Code to Download the App

### 2. PAIRING INSTRUCTION

- 2.1 Create a home and click "+" icon in the upper right corner which will leads to "Add device" page.
- 2.2 Choose Wall Switch, power on the Wall Panel and press and hold A and D key simultaneously until indicator light is flashing. Now the Wall Panel is in pairing mode, then click Bluetooth Search and choose the correct device. If pairing multiple panels, make sure to power on 1 at a time to avoid confusion.



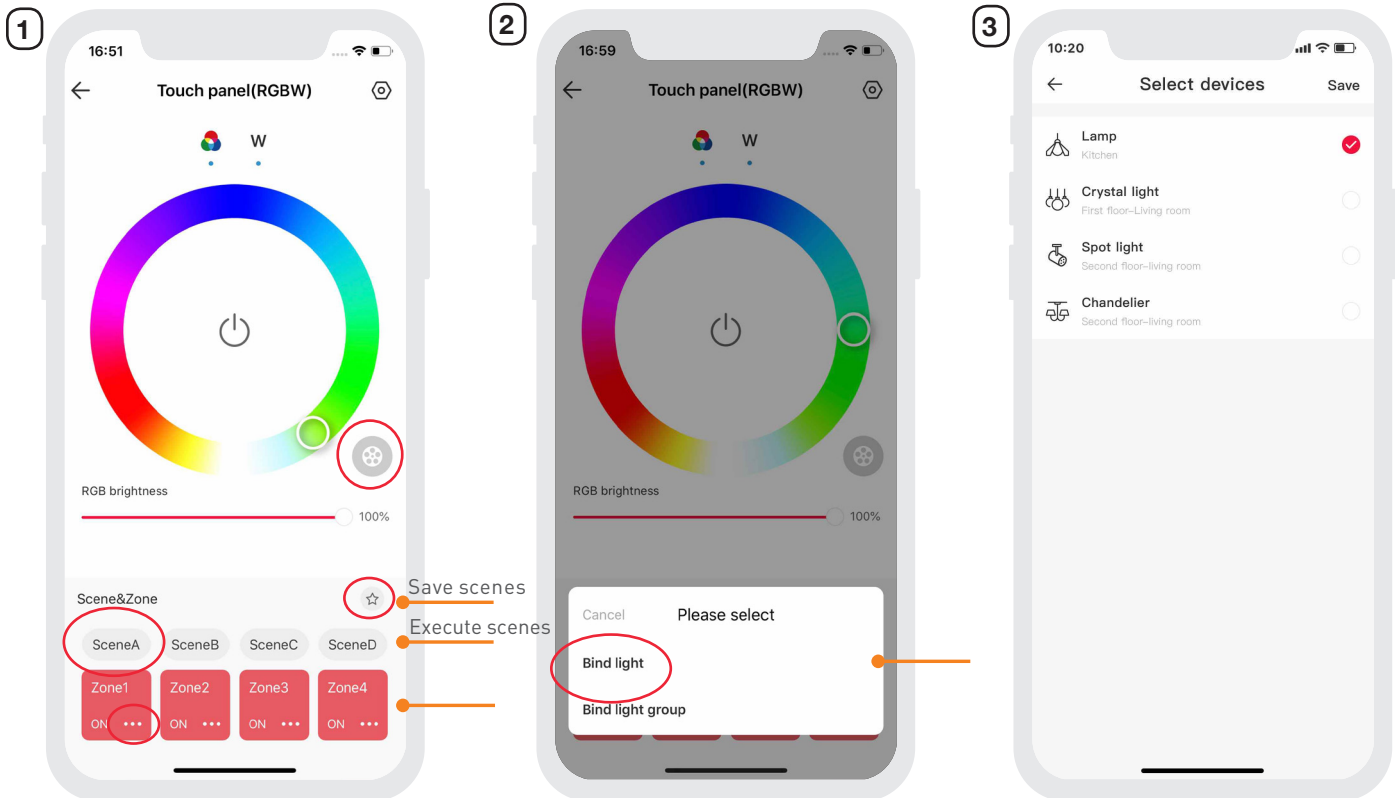
# DMX Wall Panel Controller

## CTRL-DMX-WP-U4 Installation Guide

### ■ BINDING LIGHT FIXTURES AND SAVE SCENES

**Binding devices:** from control interface(IMG.1), click the **⋮** icon on the Zone button and select “Bind light” or “Bind light group”(IMG.2). After selecting the devices then click Save.

**Local Scenes:** Click the Scene button, for example **SceneA** to perform preset scenes. To change and save scenes, click **⚙** media button which will present 12 Normal editable modes and 8 Advanced editable modes. Click the mode(for instance, Red-white gradient) you prefer and click **☆** star button to save it to Scene A. Repeat the process for other Scenes.



### ■ EDIT MODES

Start at main interface and click “Me” on the right bottom corner of the App. Select Lighting mode settings -> Select the fixture type, click on the blank area of the mode to enter editable interface (see images on page 5):

**Change Mode Name and icon:** Rename and change Icon

**Change mode:** Jumping, Gradient, Flickering, Breathing or Static.

**Adjust speed:** the speed of the mode changing, from 1 (slowest) - 8 (fastest).

**Adjust Brightness:** the brightness of the fixture, from 0.1%-100%.

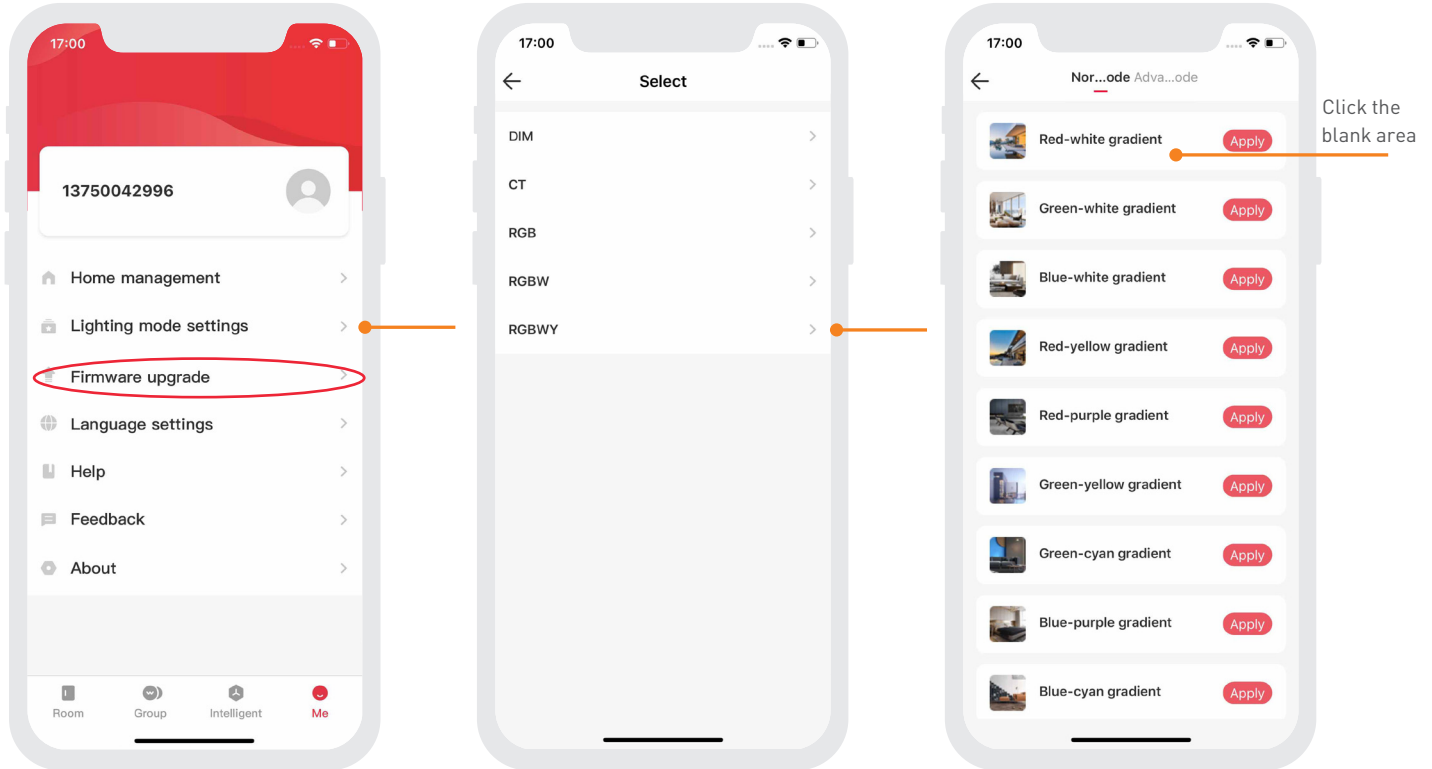
**Adjust White Value:** from 0% (OFF) to 100% (FULL).

After changing the parameters, click “Apply” and the changes will be applied to the mode.

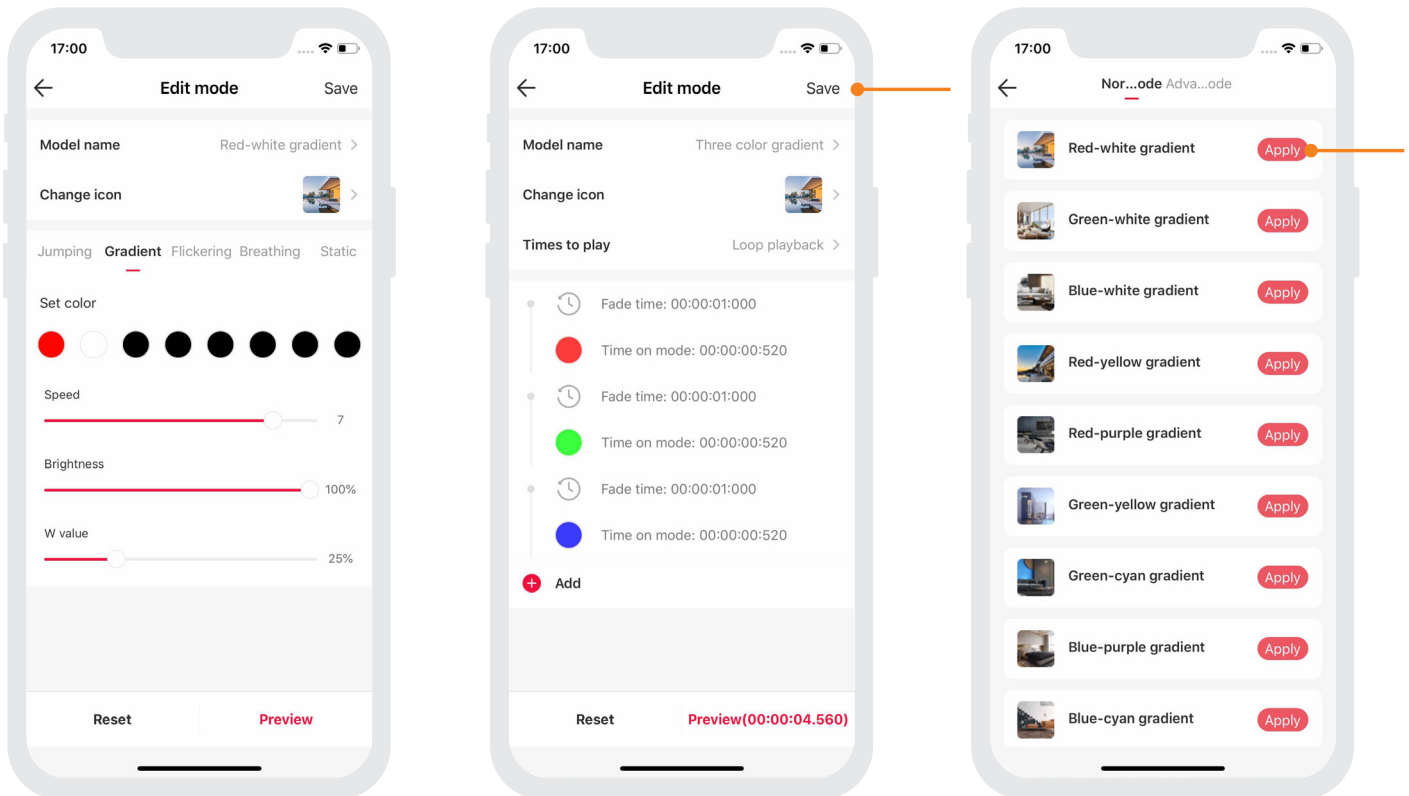
# DMX Wall Panel Controller

## CTRL-DMX-WP-U4 Installation Guide

### Mode editing menu:



■ **Updating Firmware:** Make sure device is powered on and within bluetooth range-> Click Firmware upgrade, the firmware will start downloading and be applied to the device.



## ■ FREQUENT ASKED QUESTIONS

### 1. What should I do if I fail to configure the device to the Internet?

- 1.1 Make sure the device is powered on normally and is in bluetooth pairing mode.
- 1.2 Please make sure the device hasn't been added by any other account. If it did, please reset to factory defaults manually .
- 1.3 The recommended distance between the mobile phone and the device is no more than 65ft.
- 1.4 If the device has been forced to delete, please reset to factory defaults manually and then add the device again.

### 2. How to reset the panel to factory defaults?

When the panel is power-on( the indicator light is white), long press A key and D key for 6s simultaneously. If all the indicator lights of the panel flash several times, the panel is reset to factory defaults successfully.

### 3. Care Instruction

Do not install Wall Panel under direct sun light.

To clean: wipe with damp microfiber cloth.