

TAPE LIGHT CHANNEL

Project Name:
Fixture Type:

DESCRIPTION

PreciseLED's aluminum channels are a required companion to our tape light modules. With excellent heat sinking and light diffusion capabilities, our channels can also be custom cut and/or painted to virtually any specification. The wide design of the Connectwide channel allows for compatibility with all of our tape lights including those with the option for wet location applications.

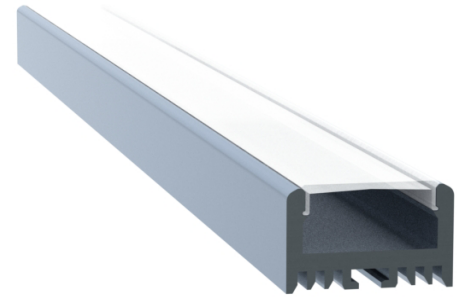
SPECIFICATION

- Dimensions: 1.01"W x 0.67" H
- Materials: Aluminum/PC
- Minimum Available length: 1 ft
- Maximum Available Length: 8ft (Consult Factory for longer Runs)
- Maximum Width of LED Tape: .0.81"

TAPE LIGHT COMPATIBILITY

The Connectwide channel is compatible with the following tape lights:

- Lo-Beam
- Lo-Beam Wet
- Beam
- Beam Wet
- Hi Beam
- Hi Beam Wet
- Hi Beam RGB
- Hi Beam RGB Wet
- Hi Beam RGBW
- Hi Beam RGBW Wet
- Hi Beam Hi Efficacy
- Hi Beam Hi Efficacy Wet
- Cool Beam
- Cool Beam wet
- Super Beam
- Ultra Beam



FINISH



Aluminum

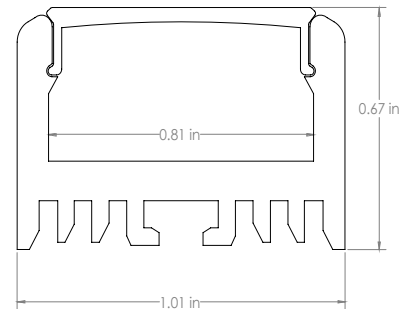


Powder coated
Black



Powder coated
White

DIMENSIONS



ORDERING CODE

Example: **CNWD-8-BK-SM**

Note: All of the channels and lenses can be custom cut to any length with an accuracy of 1/8"

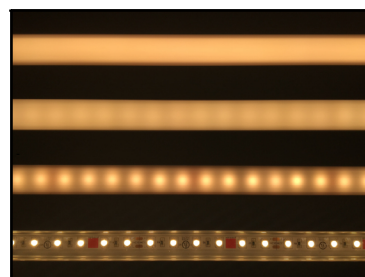
Product	Length	Finish	Mounting
CNWD			SM
CNWD	8 8 Feet XX Custom Length (in feet)	AL Aluminum (Default) BK Powder Coated Black WT Powder Coated White	SM Surface Mount

ACCESSORIES:

Accessory	Product	Length
Clear Lens	CNWD-CLNS	8 8 Feet XX Length ft in
Diffused Lens	CNWD-DLNS	8 8 Feet XX Length ft in
Opal Lens	CNWD-OLNS	8 8 Feet XX Length ft in
Clips/Screws (Recommended 1 set for every 2 ft length of channel)	CNWD-CLIP	
End Caps	CNWD-CAPS	
Beginning Caps (with holes)	CNWD-CAPH	

Level of Spotlessness per Tape Light/Lens Combination

Light Module	Opal Lens	Diffuse Lens	Clear Lens
Lo-Beam	SP	SP	CL
Lo-Beam Wet	SS	SP	CL
Beam	SL	SS	CL
Beam Wet	SS	SP	CL
Hi Beam	SS	SP	CL
Hi Beam Wet	SP	SP	CL
Hi Beam Hi Efficacy	SL	SS	CL
Hi Beam Hi Efficacy Wet	SL	SS	CL
Hi Beam RGB	SS	SP	CL
Hi Beam RGB Wet	SP	SP	CL
Hi Beam RGBW	SS	SP	CL
Hi Beam RGBW Wet	SP	SP	CL
Cool Beam	SL	SS	CL
Cool Beam wet	SS	SS	CL
Super Beam	SL	SL	SL



SL = Spotless

SS = Slightly Spotty

SP = Spotty

CL = Clear