

Cool Beam

LED TAPE LIGHT

Project Name:



Fixture Type:

DESCRIPTION

All PreciseLED tape light products feature a flexible copper core and are cut and soldered to specified length in our factory. PreciseLED tape lights additionally have best-in-class color rendering, color consistency, and, when combined with our dimming drivers, dimming and flickering performance. Our COBE Tape Light is our most efficient tape light. It sets the standard for performance and superior quality.



SPECIFICATIONS

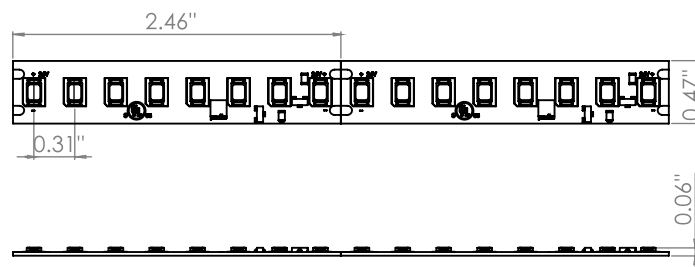
- Voltage: 24V
- Watts per foot: 6.24 W/ft
- Average Lumens per foot: 758 Lm/ft
- 2835 LED's
- 40 diodes/foot
- Dimmable using dimmable driver
- Backed with 3M Adhesive
- Ambient Temperature: -4°F ~ +113°C
- Humidity: 40% ~ 70% R
- IP Protection: IP20 or IP67 with IP67 channel
- Tail end field cuttable every 2.46 Inches
- 50,000 Hours Lamp Life
- Max Run: 12.3 Feet
- 3 Step Binning/1 Step Binning Process 
- CRI ≥ 95 , R_r ≥ 95 , R_g ≥ 100 
- UL Listed for US and Canada
- 5 Year Warranty

Please see PreciseLED.com for warranty and installation information.

ORDERING CODE

Example: COBE-16'-24V-95C-30K-

DIMENSIONS

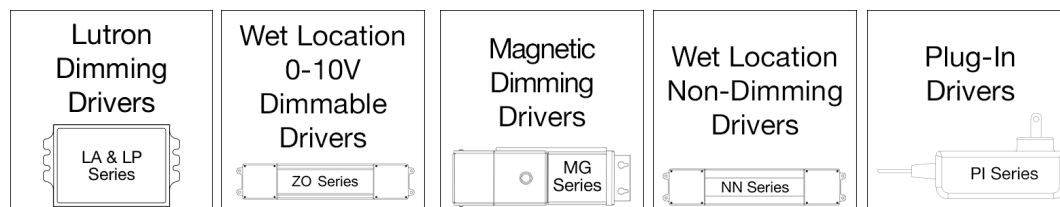


LUMEN OUTPUT PER COLOR TEMPERATURE

2700K	720 Lm/ft
3000K	757 Lm/ft
3500K	798 Lm/ft

Product	Spool Length	Volts	CRI	Color Temperature	Ambience	Binning
COBE	'ft "in Custom Length	24V 24 Volts	95 95CRI	27K 2700K 30K 3000K 35K 3500K 40K 4000K	Standard	3 Steps (standard) TB1 1 Step (Truebin™)

COMPATIBLE TAPE LIGHT DRIVERS



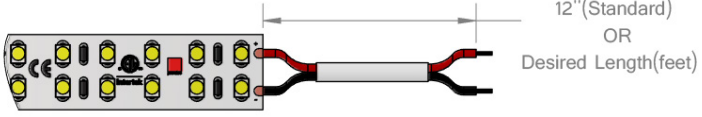
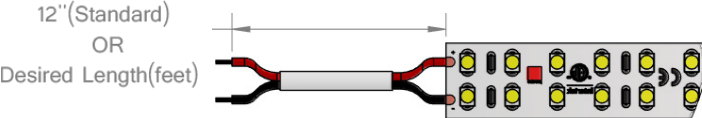



Click [here](#) for a more detailed Driver Overview.

Cool Beam

LED TAPE LIGHT

Project Name:

Fixture Type:

Optional Wiring Configurations	Description	Ordering Code
	Custom Tail Wire Length	TAIW
	Custom Lead Wire Length	LEAW
	Tail Jumper Cable	JUMP
	2.1MM DC CONNECTOR (FEMALE)	PLGF
	2.1MM DC CONNECTOR (MALE)	PLGM

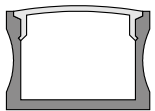
*Default wire length is 12", no number in front of ordering code indicates default length

Note: Solder points are secured with cable grips.

ORDERING CODE

Example: COBE-16'-24V-95C-30K-

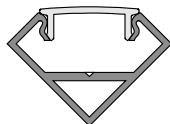
COMPATIBLE TAPE LIGHT CHANNELS



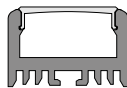
FGRE - Figure



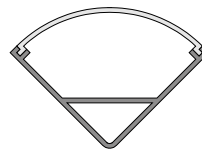
FGFL - Figure Flat



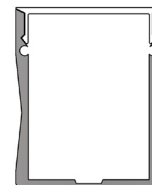
45DE - 45 Degree



CNWD - Connectwide



45WD - 45 Degree Wide



FGTL - Figure Tall

Click [here](#) to view our Tape Light Channels

Cool Beam

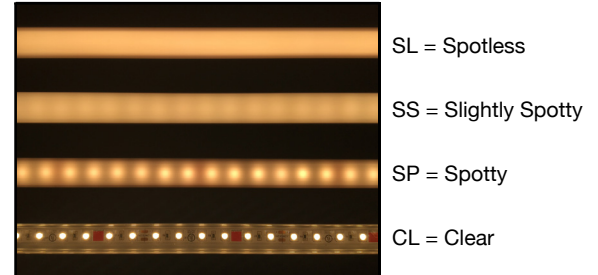
LED TAPE LIGHT

Project Name:

Fixture Type:

■ LEVEL OF SPOTLESSNESS PER CHANNEL/ LENS COMBINATION

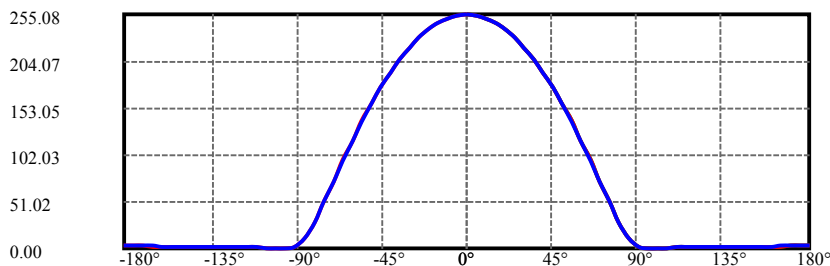
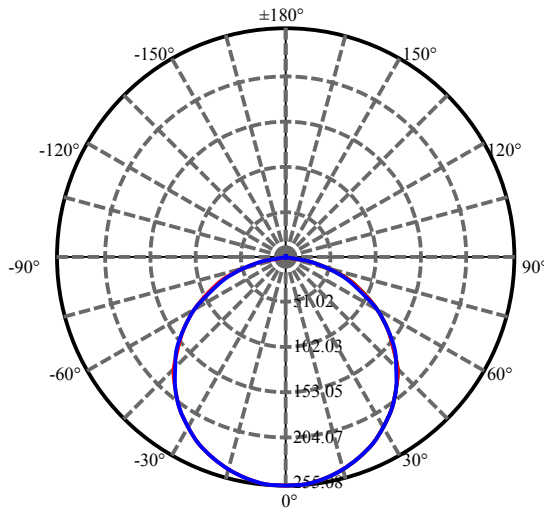
	Opal Lens	Diffuse Lens	Clear Lens
FIGURE	SL	SL	CL
FIGURE FLAT	SS	SS	CL
CONNECTWIDE	SL	SS	CL
45 DEGREE	SL	SS	CL
FIGURE TALL	SL	SL	CL



■ TOTAL LUMEN OUTPUT PER CHANNEL/ LENS COMBINATION

	Opal Lens	Diffuse Lens	Clear Lens
FIGURE	30%	51%	70%
FIGURE SLIM	39%	63%	86%
FIGURE FLAT	41%	63%	85%
CONNECTWIDE	26%	53%	67%
45 DEGREE	25%	49%	62%

■ LIGHT DISTRIBUTION CURVE



C0(Max): —
 C0/C180: —
 C90/C270: —
 Field angle(10%Imax):C0/180Left:80.7 Right:80.7
 :C90/270Left:80.8 Right:80.8
 Beam Angle(50%Imax):C0/180Left:57.7 Right:57.7
 :C90/270Left:57.6 Right:57.6

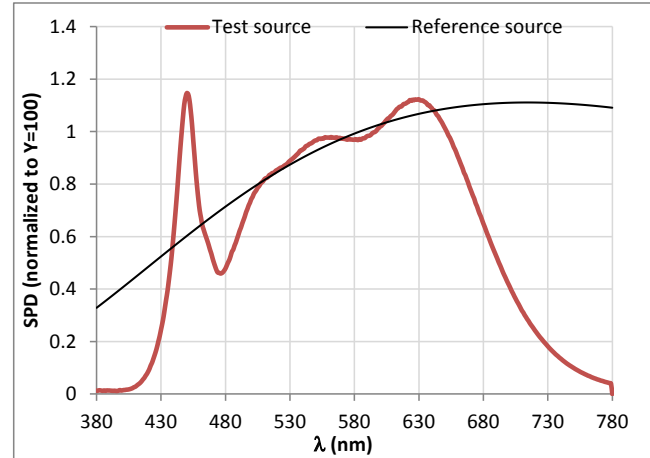
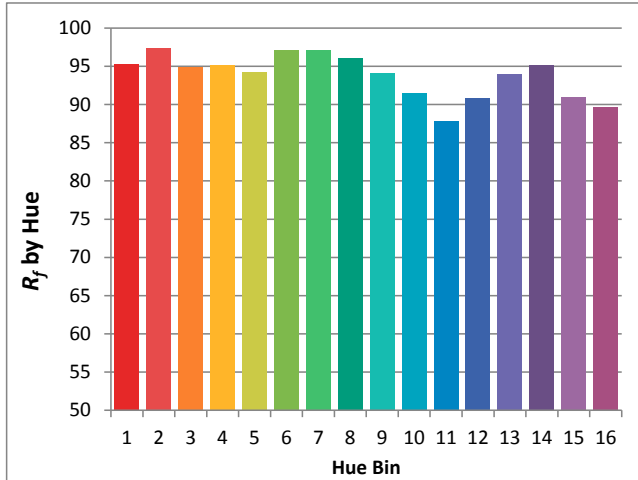
Cool Beam

LED TAPE LIGHT

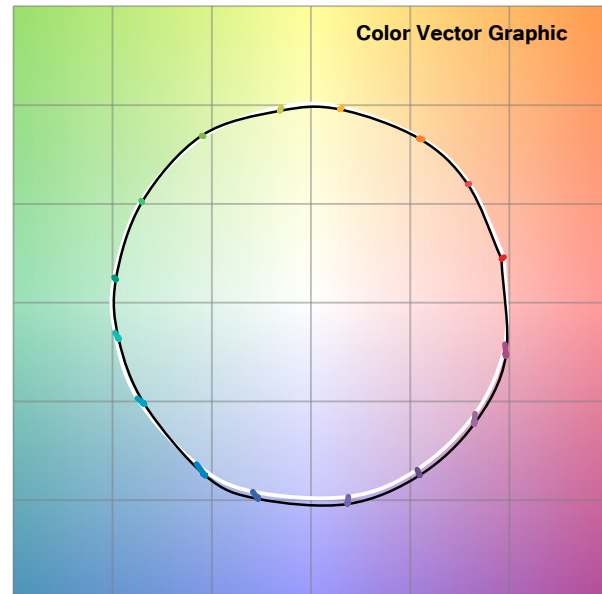
Project Name:

Fixture Type:

■ TM-30 DATA



Hue Bin	R _f	Graphic shifts (%)	
		Chroma	Hue
1	95	-2%	-1%
2	97	-1%	0%
3	95	-1%	2%
4	95	-1%	1%
5	94	-2%	1%
6	97	1%	1%
7	97	-1%	0%
8	96	-1%	1%
9	94	-1%	4%
10	91	-1%	5%
11	88	2%	7%
12	91	3%	3%
13	94	4%	-1%
14	95	3%	-1%
15	91	2%	-5%
16	90	2%	-6%



Cool Beam

LED TAPE LIGHT

Project Name:

Fixture Type:

■ Please refer to chart below for exact lengths of the Hi Beam Tape Light

Ordered Length		Actual Length
(Foot-Inches)	(Inches)	(Inches)
0'-3"	3	3.9
0'-7"	7	7.8
0'-11"	11	11.7
1'-3"	15	15.6
1'-7"	19	19.5
1'-11"	23	23.4
2'-3"	27	27.3
2'-7"	31	31.2
2'-11"	35	35.1
3'-3"	39	39
3'-6"	42	42.9
3'-10"	46	46.8
4'-2"	50	50.7
4'-6"	54	54.6
4'-10"	58	58.5
5'-2"	62	62.4
5'-6"	66	66.3
5'-10"	70	70.2
6'-2"	74	74.1
6'-6"	78	78
6'-9"	81	81.9
7'-1"	85	85.8
7'-5"	89	89.7
7'-9"	93	93.6
8'-1"	97	97.5
8'-5"	101	101.4
8'-9"	105	105.3
9'-1"	109	109.2

Ordered Length		Actual Length
(Foot-Inches)	(Inches)	(Inches)
9'-5"	113	113.1
9'-9"	117	117
10'-0"	120	120.9
10'-4"	124	124.8
10'-8"	128	128.7
11'-0"	132	132.6
11'-4"	136	136.5
11'-8"	140	140.4
12'-0"	144	144.3
12'-4"	148	148.2
12'-8"	152	152.1
13'-0"	156	156
13'-3"	159	159.9
13'-7"	163	163.8
13'-11"	167	167.7
14'-3"	171	171.6
14'-7"	175	175.5
14'-11"	179	179.4
15'-3"	183	183.3
15'-7"	187	187.2
15'-11"	191	191.1
16'-3"	195	195
16'-6"	198	198.9
16'-10"	202	202.8
17'-2"	206	206.7
17'-6"	210	210.6