

DRIV-LP-24V-40W-2WS

Lutron LA Series - 24V 40Watt 2-Wire Forward Phase,

120V 1% Dimmable LED Driver
Hi-lume 1% 2-Wire LED Driver
Forward-Phase Control Overview

Project Name:

Fixture Type:

The Hi-lume 1% 2-Wire LED Driver is a high-performance LED driver that provides smooth, continuous 1% dimming for virtually any LED fixture, whether it requires constant-current or constant-voltage. It is the most versatile LED driver offered today due to its compatibility with a wide variety of LED arrays, multiple form factors, and numerous control options.

Features

- Continuous, flicker-free dimming from 100% to 1%.¹
- Guaranteed compatibility with selected Maestro Wireless, RadioRA 2, HomeWorks QS, GRAFIK Eye QS, GRAFIK Systems, Quantum, and C•L dimmers. Please see **Compatible Controls** chart or contact Lutron for details regarding compatible controls.
- QwikFig compatible. For more information please refer to Lutron P/N 041473 (K and M case only).
- 100% performance tested at factory.
- A rated lifetime of 50,000 hours @ $t_c = 149^\circ\text{F}$ (65°C).
- UL recognized and listed options for United States and Canada.
- NOM certified option for Mexico.
- Type TL Rated.²
- FCC Part 15 compliant for commercial and residential (UL Listed only) applications at 120 V \sim .
- Pulse width modulation (PWM) or constant-current reduction (CCR) dimming methods available. See Application Note #360 for details.
- RoHS Compliant



Case type KL

K-case mounted on a 4.00 in (102 mm) W x 1.50 in (38 mm) H x 4.00 in (102 mm) L junction box to provide wiring compartment

¹ Light output at 1% depends on the efficacy of the light engine used with the driver.

² Type TL ratings are not offered for all output ranges. Consult detailed specifications on the following pages for availability.

DRIV-LP-24V-40W-2WS

Lutron LA Series - 24V 40Watt 2-Wire Forward Phase,
120V 1% Dimmable LED Driver

Project Name:

Fixture Type:

Specifications

Regulatory Approvals

- Meets ANSI C62.41 category A surge protection standards up to and including 4 kV.
- FCC Part 15 compliant for commercial and residential (UL Listed only) applications.
- Manufacturing facilities employ ESD reduction practices that comply with the requirements of ANSI/ESD S20.20.
- Lutron Quality Systems registered to ISO 9001.2008.
- UL 8750 recognized.
- UL recognized models are also UL classified to 1598C for field replacement capability.
- UL 8750 listed form factor available.
- Class 2 output available.
- Type TL Rated.¹
- LTEA4U1NKL-AV120 and LTEA4U1NKL-CV240 models are NOM certified and available for Mexico.

UL 8750 Listed Option

- cULus for United States and Canada available for certain operating regions.
- Pre-wired and installation ready.
- See **KL Case: Case Dimensions** page for more specific details regarding UL listed option.
- UL 8750 Listed construction.
- Integral junction box to save time.
- For maximum driver-to-LED light engine wire length, see **Driver Leads** section near the end of this document.

Environmental

- Sound Rating: Inaudible in 27 dB ambient.
- Relative Humidity: Maximum 90% non-condensing.
- Minimum operating ambient temperature $t_a = 32\text{ °F}$ (0 °C).²

Performance

- Dimming Range: 100% to 1%.
- Operating Voltage: 120 V~ at 50/60 Hz
- Requires Forward Phase Control; please see **Compatible Controls** chart.
- A rated lifetime of 50,000 hours @ $t_c = 149\text{ °F}$ (65 °C).
– For rated warranty, t_c not to exceed the maximum rated temperatures.³
- Patented thermal foldback protection.
- LEDs turn on to any dimmed level without going to full brightness.
- Non-volatile memory restores all driver settings after power failure.
- Power Factor: > 0.90 at 40 W.
- Total Harmonic Distortion (THD): < 20% at 40 W.
- Inrush Current: < 2 A.
- Inrush Current Limiting Circuitry: eliminates circuit breaker tripping, switch arcing and relay failure.
- Open circuit protected.
- Short circuit protected.
- Turn-on time: ≤ 1.5 seconds.⁴
- PWM Dimming Frequency: 550 Hz.

Driver Wiring & Mounting

- Driver is grounded by a mounting screw to the grounded fixture (or by terminal connection on the K case).
- Terminal blocks on the driver accept one solid wire per terminal from 18 AWG to 16 AWG (0.75 mm^2 to 1.5 mm^2).
- Fixture must be grounded in accordance with local and national electrical codes.
- For maximum driver-to-LED light engine wire length, see charts in **Driver Leads** section at the end of the document.

¹ Type TL ratings are not offered for all output ranges. Consult detailed specifications on the following pages for availability.

² Where t_a is the temperature of the air directly surrounding the driver.

³ Installer is responsible for ensuring that the driver case temperature does not exceed the maximum rated temperature.

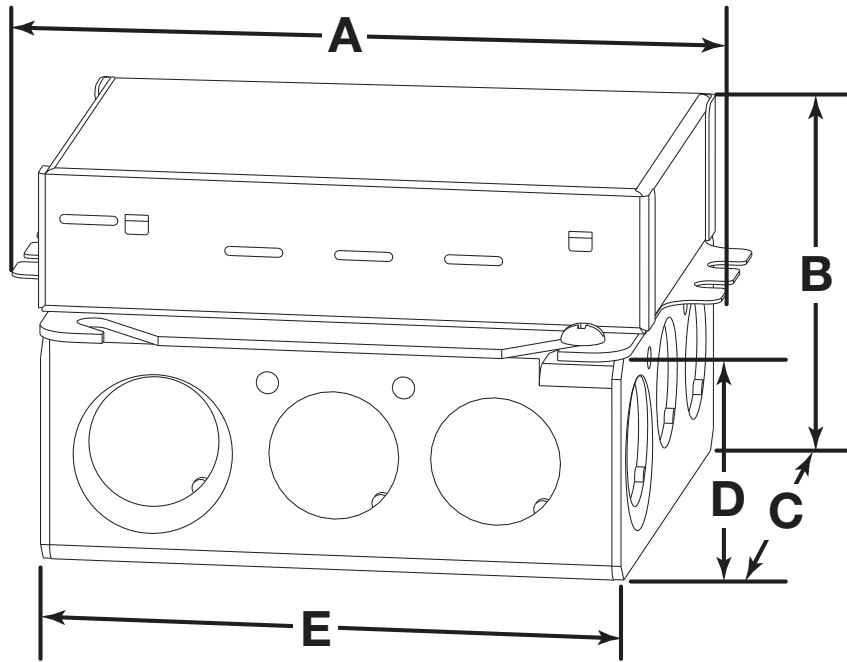
⁴ Models available with turn-on time ≤ 1 second.

DRIV-LP-24V-40W-2WS

Lutron LA Series - 24V 40Watt 2-Wire Forward Phase,
120V 1% Dimmable LED Driver

KL Case: Case Dimensions 

Project Name:
Fixture Type:



A	4.89 in (124 mm)
B	2.62 in (66 mm)
C	4.00 in (102 mm)
D	1.62 in (41 mm)
E	4.00 in (102 mm)

KL case includes a 4 in (102 mm) square junction box which complies with NEMA OS 1-2008 Figure 112.

Knockouts

- Sides
 - 8 locations: 0.5 in (13 mm)
 - 4 locations: 0.5/0.75 in (13/19 mm)
- Bottom
 - 2 locations: 0.5 in (13 mm)
 - 2 locations: 0.5/0.75 in (13/19 mm)

Driver Wiring and Mounting

- Driver is grounded by the green ground wire connection on the enclosure or by the ground lug terminal in the junction box
- Driver and junction box must be grounded in accordance with local and national electrical codes
- All wire connections must be made in the junction box to maintain UL listing
- 4 in (102 mm) square junction box is 1.5 in (38 mm) deep with 22.0 in³ (360.5 cm³) capacity and complies with NEMA OS 1-2008 Figure 112
- Driver is pre-wired with 6 in (152 mm), 18 AWG (0.75 mm²) solid copper leads in all terminal blocks

DRIV-LP-24V-40W-2WS

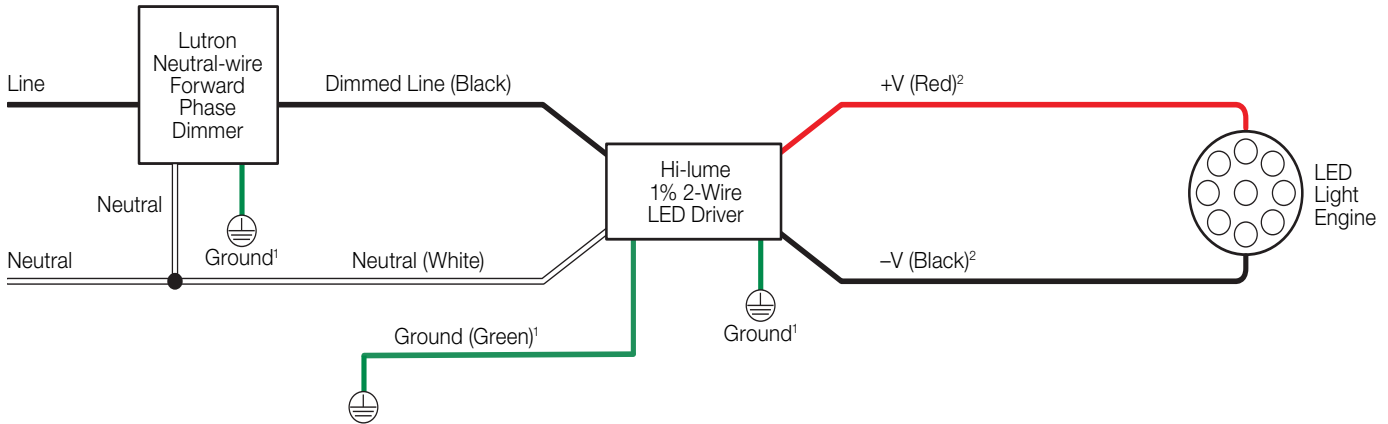
Lutron LA Series - 24V 40Watt 2-Wire Forward Phase,
120V 1% Dimmable LED Driver

Project Name:
Fixture Type:

Controls Requiring Neutral

Note: Colors shown correspond to terminals on driver.

Wiring Diagram

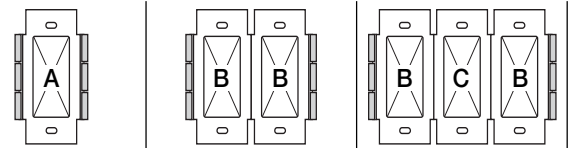


¹ Ground wire connection available on K case models only. Fixture and driver case must be grounded in accordance with local and national electrical codes.

²For maximum driver-to-LED light engine wire length, see charts in **Driver Leads** section at the end of the document.

Compatible Controls: Lutron Neutral-wire Dimmers

Guaranteed performance specifications with the controls listed in the chart below.



Product	Part Number	Low-End Setting/Load-Type Setting ¹	Drivers per Control		
			A: Not Ganged	B: End of Gang	C: Middle of Gang
Maestro Wireless 600 W dimmer	MRF2-6ND-120-	Trim low-end per APM App Note (Lutron P/N 048370)	1-8	1-8	1-8
Caséta Wireless Pro 1000 W dimmer	PD-10NXD-	Trim low-end per instructions at www.casetawireless.com/lowend	1-13	1-13	1-13
GRAFIK T C•L dimmer	GT-250M-GTJ-250M-	Set low-end trim per dimmer installation instructions	1-10	1-10	1-10
HomeWorks QS adaptive dimmer	HQRD-6NA-	"Hi-lume 1% 2-Wire LTE LED" ²	1-8	1-8	1-8
HomeWorks QS 600 W dimmer	HQRD-6ND-	"Hi-lume 1% 2-Wire LTE LED" ²	1-8	1-8	1-8
HomeWorks QS 1000 W dimmer	HQRD-10ND-	"Hi-lume 1% 2-Wire LTE LED" ²	1-13	1-13	1-13
RadioRA 2 adaptive dimmer	RRD-6NA-	"Hi-lume 1% 2-Wire LTE LED" ²	1-8	1-8	1-8
RadioRA 2 1000 W dimmer	RRD-10ND-	Set Device type to "INC/MLV Neutral Dimmer"; Set High-End Trim to 99%; Set Low-End Trim to 35%	1-13	1-13	1-13

¹ Setting the low-end trim and load type is necessary to ensure optimal performance and 1% dimming capability.

² Also listed as "LED Lutron A-Series 2-Wire" or "Hi-lume A-Series LTE LED Driver 2-Wire" in previous software releases.

DRIV-LP-24V-40W-2WS

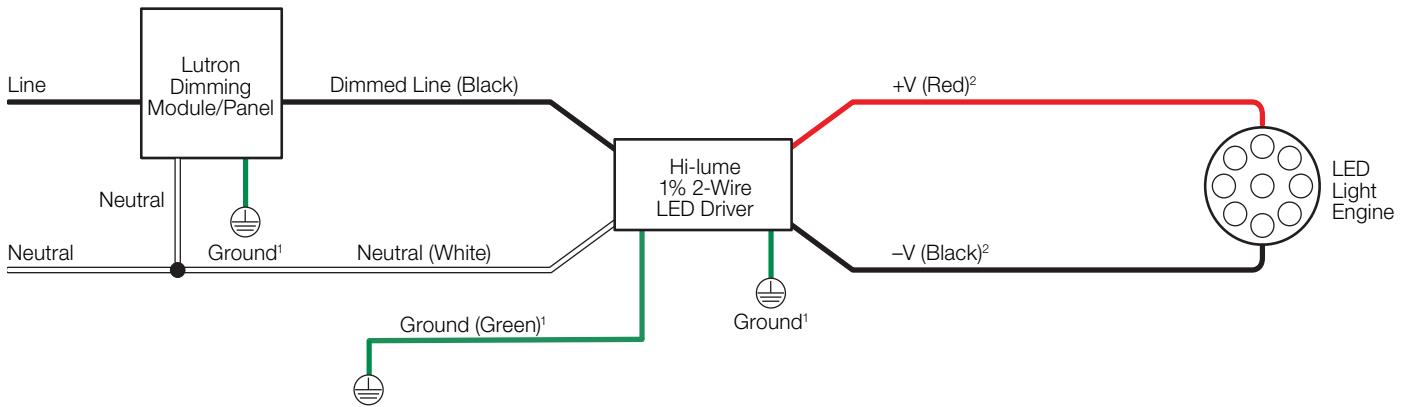
Lutron LA Series - 24V 40Watt 2-Wire Forward Phase,
120V, 1% Dimmable LED Driver
Wiring (continued)

Project Name:
Fixture Type:

Controls Requiring Neutral (continued)

Note: Colors shown correspond to terminals on driver.

Wiring Diagram



¹ Ground wire connection available on K case models only. Fixture and driver case must be grounded in accordance with local and national electrical codes.

² For maximum driver-to-LED light engine wire length, see charts in **Driver Leads** section at the end of the document.

Compatible Controls: Lutron Dimming Modules/Panels

Guaranteed performance specifications with the controls listed in the chart below.

Product	Part Number	Drivers per Control	Low-End Setting/Load-Type Setting ¹
myRoom DIN power module	MQSE-4A1-D	1–6 (per output); 1 A maximum driver input current	"Hi-lume 1% 2-Wire LTE LED" ²
HomeWorks QS DIN power module	LQSE-4A1-D	1–6 (per output); 1 A maximum driver input current	"Hi-lume 1% 2-Wire LTE LED" ²
HomeWorks QS wallbox power module	HQRJ-WPM-6D-120	2–10 (per output); 26 total per module	"Hi-lume 1% 2-Wire LTE LED" ²
HomeWorks wallbox power module	HWI-WPM-6D-120	2–10 (per output); 26 total per module	Set load type to "GRX-FDBI" or "GRX-TVI"
GRAFIK Eye QS control unit	QSGR-, QSGRJ-	2–10 (per output); 26 total per unit	Set load type to "Fluorescent Module"
GRAFIK Eye 3000 control unit	GRX-3100-, GRX-3500-	2–10 (per output); 26 total per module	Set load type to "GRX-FDBI" or "GRX-TVI"
RPM-4U module (LCP, HomeWorks QS, GRAFIK Systems, Quantum)	HW-RPM-4U-120, LP-RPM-4U-120	2–26 (per output); 26 total per module	"Hi-lume 1% 2-Wire LTE LED" ² Set load type to "2-1"
RPM-4A module (LCP, HomeWorks QS, GRAFIK Systems, Quantum)	HW-RPM-4A-120, LP-RPM-4A-120	1–13 (per output); 26 total per module	"Hi-lume 1% 2-Wire LTE LED" ² Set load type to "2-1"
GP dimming panels	Various	1–26	Set load type to "2-1"

* Setting the low-end trim and load type is necessary to ensure optimal performance and 1% dimming capability.

² Also listed as "LED Lutron A-Series 2-Wire" or "Hi-lume A-Series LTE LED Driver 2-Wire" in previous software releases.

DRIV-LP-24V-40W-2WS

Lutron LA Series - 24V 40Watt 2-Wire Forward Phase, 120V 1% Dimmable LED Driver

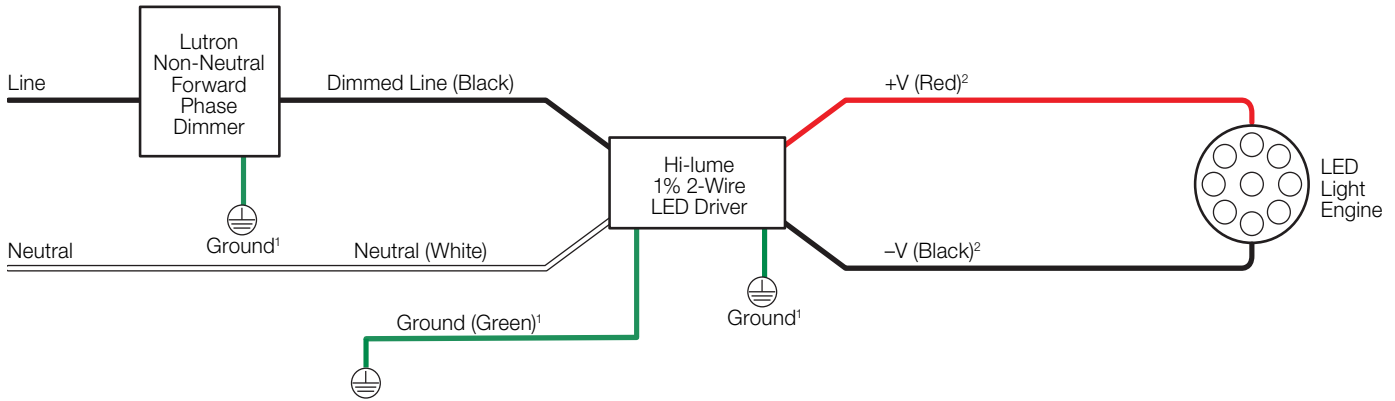
Project Name:
Fixture Type:

Wiring (continued)

Controls Not Requiring Neutral

Note: Colors shown correspond to terminals on driver.

Wiring Diagram

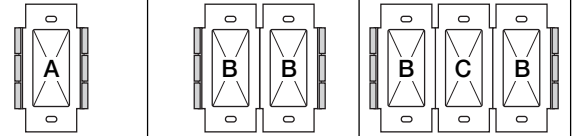


¹ Ground wire connection available on K case models only. Fixture and driver case must be grounded in accordance with local and national electrical codes.

² For maximum driver-to-LED light engine wire length, see charts in **Driver Leads** section at the end of the document.

Compatible Controls: Lutron Non-Neutral Dimmers

Guaranteed performance specifications with the controls listed in the chart below.



Product	Part Number	Low-End Setting/ Load-Type Setting*	Drivers per Control		
			A: Not Ganged	B: End of Gang	C: Middle of Gang
Ariadni C•L 250 W dimmer	AYCL-253P-	Set low-end trim dial to 1 o'clock. Adjust slightly if needed. See Figure 1 under 'Dimmer Range Adjustment' section in the Dimmer Installation Guide for how to adjust low-end trim	1-8	1-8	1-8
Diva C•L 250 W dimmer	DVCL-253P- DVSCCL-253P-	Set low-end trim dial to 10 o'clock. Adjust slightly if needed. See Figure 1 under 'Dimmer Range Adjustment' section in the Dimmer Installation Guide for how to adjust low-end trim	1-8	1-8	1-8
Nova T★ C•L 250 W dimmer	NTCL-250-	Set low-end trim per dimmer installation instructions	1-10	1-10	1-10

*Setting the low-end trim and load type is necessary to ensure optimal performance and 1% dimming capability.

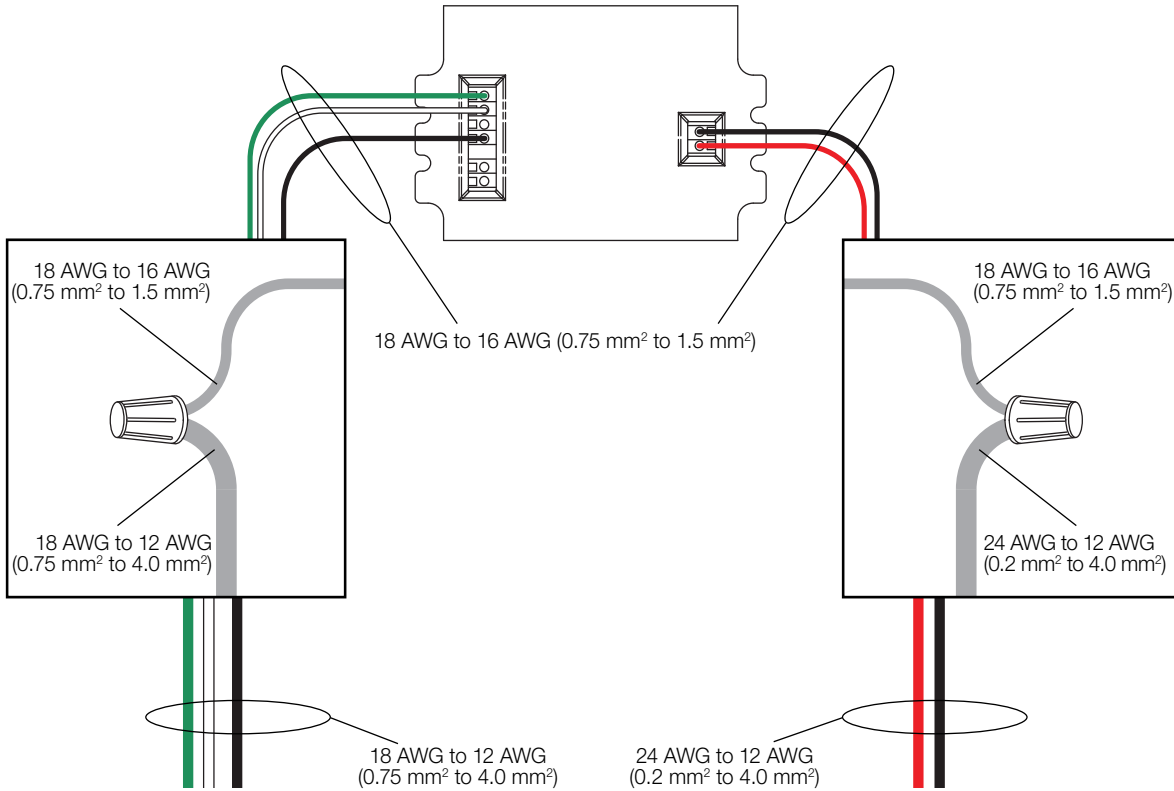
Note: For information about Legacy Product use in existing control application, contact LEDs@lutron.com

DRIV-LP-24V-40W-2WS

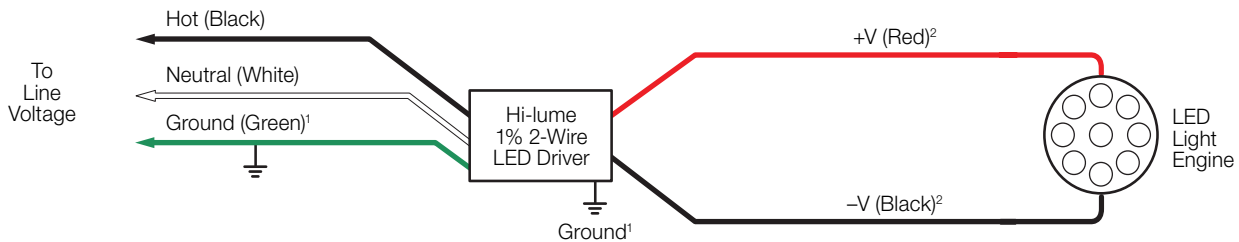
Lutron LA Series - 24V 40Watt 2-Wire Forward Phase,
120V 1% Dimmable LED Driver

Project Name:
Fixture Type:

Terminal Wiring Gauges



Wiring Diagram for 2-Wire Control



¹ Fixture and driver case must be grounded in accordance with local and national electrical codes; ground connection to driver case can be accomplished through ground terminal, and/or grounding the case.

² For maximum driver-to-LED light engine wire length, see charts in the **Driver Wiring and Mounting** section.

DRIV-LP-24V-40W-2WS

Lutron LA Series - 24V 40Watt 2-Wire Forward Phase,
120V 1% Dimmable LED Driver

Project Name:
Fixture Type:

Electricians and Contractors

Driver Leads

Maximum driver-to-LED light engine wire length for
Constant-Current Drivers:

Wire Gauge*	Maximum Lead Length		
	200 mA to 700 mA	710 mA to 1.50 A	1.51 A to 2.10 A
24 AWG (0.2 mm ²)	8 ft (2.5 m)	4 ft (1.2 m)	2.75 ft (0.8 m)
22 AWG (0.34 mm ²)	13 ft (4 m)	6 ft (1.8 m)	4.5 ft (1.5 m)
20 AWG (0.5 mm ²)	20 ft (6 m)	10 ft (3 m)	7 ft (2 m)
18 AWG (0.75 mm ²)	30 ft (9 m)	15 ft (4.5 m)	10 ft (3 m)
16 AWG (1.5 mm ²)	35 ft (10.5 m)	25 ft (7.5 m)	15 ft (4.5 m)
14 AWG (2.5 mm ²)	50 ft (15 m)	40 ft (12 m)	25 ft (7.5 m)
12 AWG (4.0 mm ²)	100 ft (30 m)	60 ft (18 m)	40 ft (12 m)

Maximum driver-to-LED light engine wire length for
Constant-Voltage Drivers:

Wire Gauge*	Maximum Lead Length		
	10 V to 20 V	20.5 V to 40 V	40.5 V to 60 V
24 AWG (0.2 mm ²)	2.5 ft (0.8 m)	4 ft (1.2 m)	8 ft (2.5 m)
22 AWG (0.34 mm ²)	4 ft (1.2 m)	6 ft (1.8 m)	12 ft (3.7 m)
20 AWG (0.5 mm ²)	6 ft (1.8 m)	10 ft (3 m)	20 ft (6 m)
18 AWG (0.75 mm ²)	10 ft (3 m)	15 ft (4.5 m)	30 ft (9 m)
16 AWG (1.5 mm ²)	15 ft (4.5 m)	25 ft (7.5 m)	50 ft (15 m)
14 AWG (2.5 mm ²)	25 ft (7.5 m)	40 ft (12 m)	75 ft (22.5 m)
12 AWG (4.0 mm ²)	40 ft (12 m)	60 ft (18 m)	100 ft (30 m)

* Terminal blocks on the drivers accept only solid 18 AWG or 16 AWG (0.75 mm² or 1.5 mm²) wire. To use wire gauges larger or smaller than this terminal blocks' rated gauge of 18 AWG or 16 AWG (0.75 mm² or 1.5 mm²) refer to the **Terminal Wiring Gauges** diagram on the previous page. Connect up to 3 ft (0.9 m) of 18 AWG or 16 AWG (0.75 mm² or 1.5 mm²) wire to the LED driver terminal blocks, then connect 14 AWG to 12 AWG (2.5 to 4.0 mm²) or 24 AWG to 20 AWG (0.20 mm² to 0.50 mm²) up to the length allowed in the above table.

Wiring and Grounding

Driver and lighting fixture must be grounded. Drivers must be installed per national and local electrical codes.

LED Load Replacement

For Class 2 rated drivers, the LED load can be changed while the driver is installed and powered.

Maximum Driver Operating Temperature

Driver case temperature (t_c) must not exceed UL conditions of acceptability in end product.

For 50,000 hour lifetime, driver case temperature (t_c) must not exceed 65 °C.

NOTE: This equipment has been tested and found to comply with the limits for a Class B digital device, pursuant to part 15 of the FCC Rules. These limits are designed to provide reasonable protection against harmful interference in a residential installation. This equipment generates, uses and can radiate radio frequency energy and, if not installed and used in accordance with the instructions, may cause harmful interference to radio communications. However, there is no guarantee that interference will not occur in a particular installation. If this equipment does cause harmful interference to radio or television reception, which can be determined by turning the equipment off and on, the user is encouraged to try to correct the interference by one or more of the following measures:

- Reorient or relocate the receiving antenna.
- Increase the separation between the equipment and receiver.
- Connect the equipment into an outlet on a circuit different from that to which the receiver is connected.
- Consult the dealer or an experienced radio/TV technician for help.

Lutron, Lutron, Hi-lume, C•L, Caseta, GRAFIK Eye, PowPak, Quantum, Nova T★, Nova, Skylark, Diva, Ariadni, Maestro, Maestro Wireless, RadioRA, and HomeWorks are trademarks of Lutron Electronics Co., Inc., registered in the U.S. and other countries. Energi Savr Node, QwikFig, GRAFIK, GRAFIK Systems, GRAFIK T, myRoom, and RadioRA 2 are trademarks of Lutron Electronics Co., Inc.