

ETHO-ZO-24V™

LED PoE Driver, Class 2 0-10V Dimmable, 24V

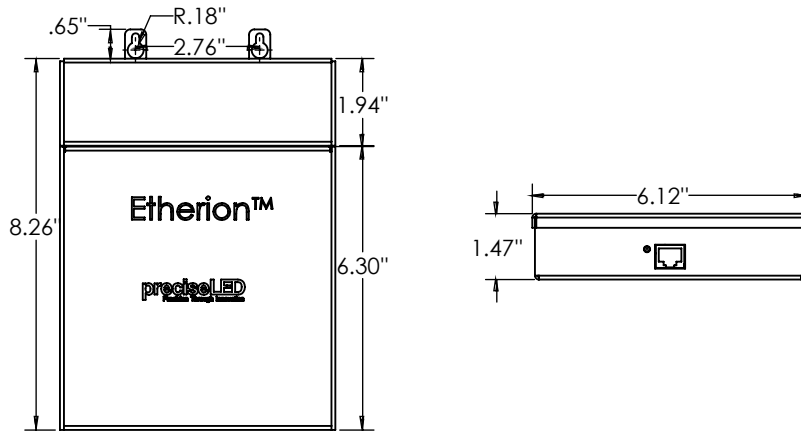
DESCRIPTION

The Etherion LED driver features PoE powered enable, flicker free, 0-10v 0.1% dimming. They are compatible with our Zenlite, tape lights, and suitable for indoor application.

FEATURES

- PoE powered using standard Category cables
- Plug and play installation, no need for a qualified electrician
- 802.3at, 802.3bt PoE+ network switch compatible
- 0.1% 0-10V dimming

DIMENSIONS



Project Name:
Fixture Type:



SPECIFICATIONS

ELECTRICAL

- INPUT: 36V-57V DC, CAT5e, CAT6 from an IEEE 802.3 compliant Power Sourcing Equipment (PSE), Endspan or Midspan.
- OUTPUT: 18AWG low voltage wire or Ethernet Cable, 24V DC
- Efficiency: 86%
- AUX. OUTPUT: 24VDC, 2W max.
- STANDBY POWER CONSUMPTION: 5W
- NOMINAL POWER INPUT: 30W, 60W, 95W
- DIMMING: fully dimmable using 0-10V dim down to 0.1%, 0-10V current draw 0.6mA-2mA max.
- DIMMING CURVE OPTIONS: logarithmic, linear
- OVERLOAD PROTECTION: output overload and short circuit protection and permanent short circuit protection
- OPERATING AMBIENT TEMPERATURE Ta: -10°C to +50°C

MOUNTING

Surface mount or stand-alone

CONSTRUCTION

- HOUSING: Heavy gauge cold rolled steel sheet. Two 1/2" knockouts allow for low voltage DC power output.
- DIMENSIONS: 8.26" L X 6.12" W X 1.47" H

RATING/WARRANTY

- IP RATING: IP20, indoor only
- PLENUM RATED, CLASS 2 COMPLIANT
- WARRANTY: 5 Year Limited Warranty, Ambient temperatures at fixture location should not exceed 50° C during normal operation.
- LIFETIME : 50,000+ hours lifetime

ORDERING CODE

Example: **ETHO-24V-60W-LIN**

Product	Voltage	Watts	Dimming Curve	Output Options
ETHO-ZO Etherion 0-10V LED Driver	24V 24VDC	30W 30 Watts	LIN Linear (Default) LOG Logarithmic	HW Hardwire EH Ethernet Cable
		60W 60 Watts		
		96W 96 Watts		
		96W 96 Watts		

ETHO-ZO-24V™

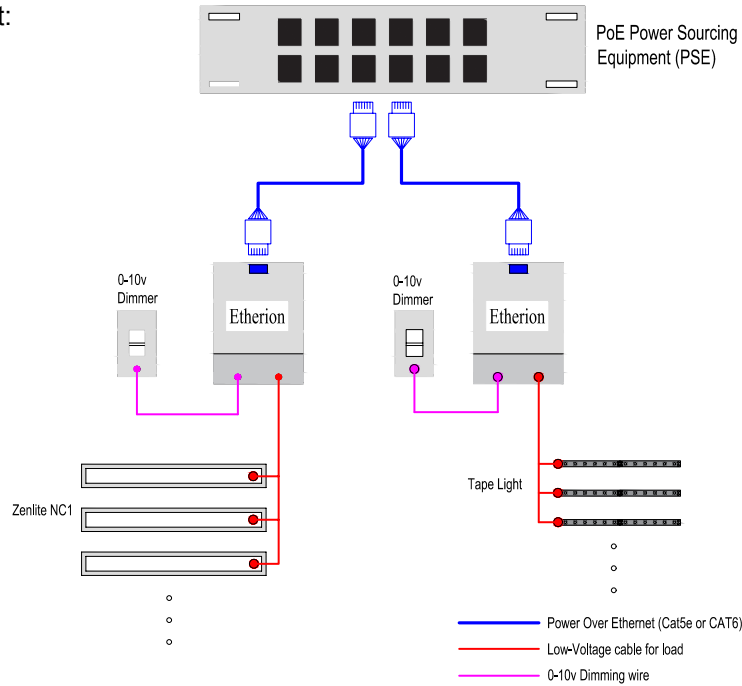
LED PoE Driver, Class 2 0-10V Dimmable, 24V

Project Name:

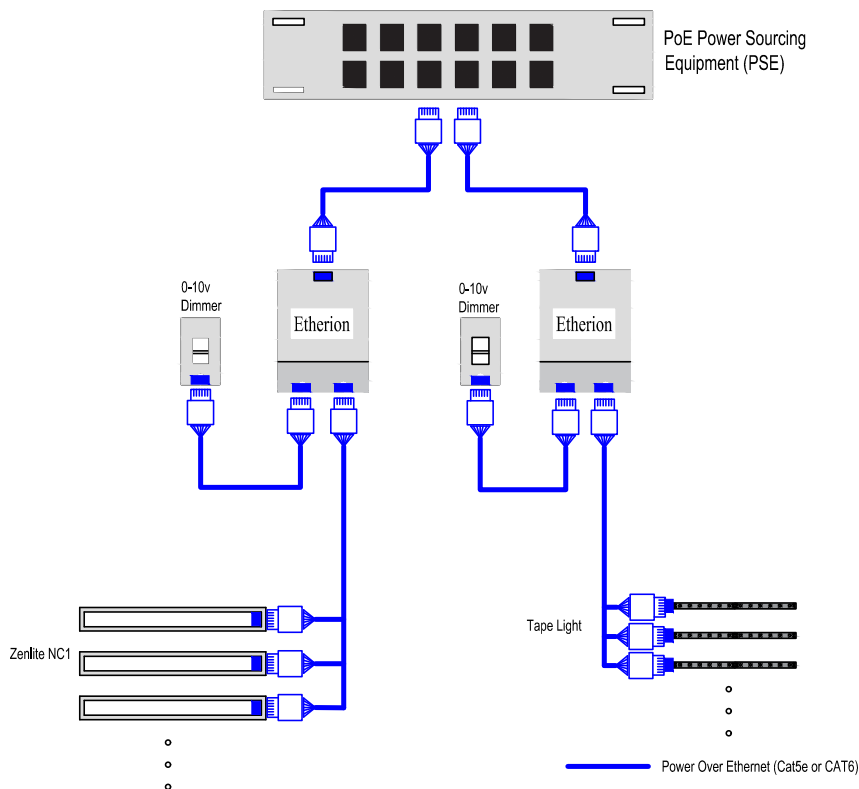
Fixture Type:

■ Etherion™ Wiring Diagram

Hardwire Output:



Ethernet Output:



ETHO-ZO-24V™

LED PoE Driver, Class 2 0-10V Dimmable, 24V

Project Name:

Fixture Type:

■ COMPATIBLE DIMMERS

Make	Model	Description	Capacity
LUTRON Nova	NFTV-600P	Single-pole	600W
LUTRON DIVA	DVTV	Single-pole	30mA Max