

1/2" Linear LED luminaire

Project Name: _____

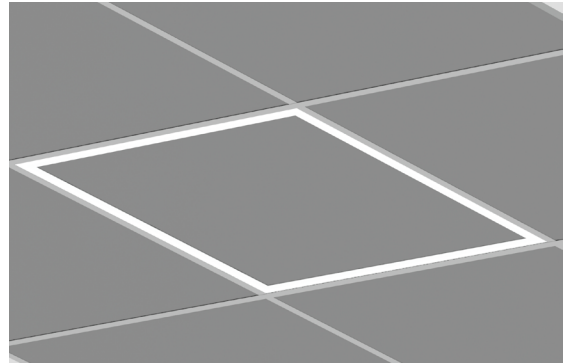
Fixture Type: _____

DESCRIPTION

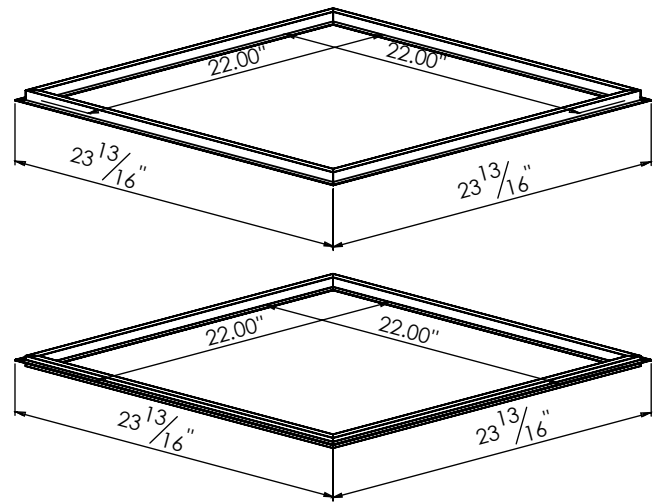
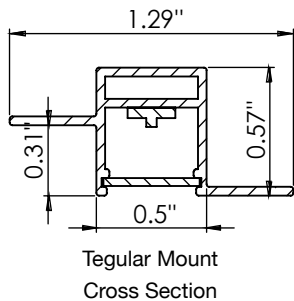
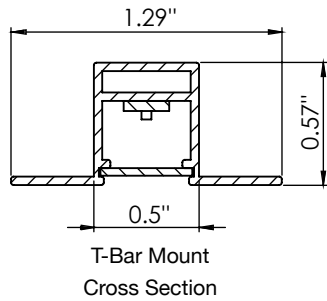
The GRIDLINE™ is a perimeter fixture for a standard 2x2 ceiling grid. It provides stylish illumination for office and hospitality settings.

SPECIFICATIONS

- Watts: 36W
- Input Volts: 120/277 VAC
- Lumens: 2607 lm @4000K
- CRI: ≥90 CRI
- Color consistency: 3-step binning LEDs
- Driver: dimmable using 0-10V, flicker-free, remote mount
- Housing Construction: extruded aluminum
- Cut Tile Dimensions: 21.75" X 21.75"
- Mounting Options: Grid ceiling 9/16" T-bar, 15/16" T-bar Tegular 9/16", Tegular 15/16", Screw Slot T-bar
- Accessories: Safety/seismic brackets, T-bar driver hanger
- Wires: UL plenum rated wire with male/female connector
- Optics: Diffuse snap-in lens
- Life: > 50,000 hours at 70% lumen maintenance (L70)
- 5 Year Limited Warranty
- Approvals: UL/C-UL listed, Suitable for dry/damp location



DIMENSIONS



COMPATIBLE DIMMERS

Make	Model	Notes
Lutron	Divi - DVSTV	Trim setting on switch should be at highest level

ORDERING CODE

Example: **GDLN-TB-22-36W-90C-30K-WH**

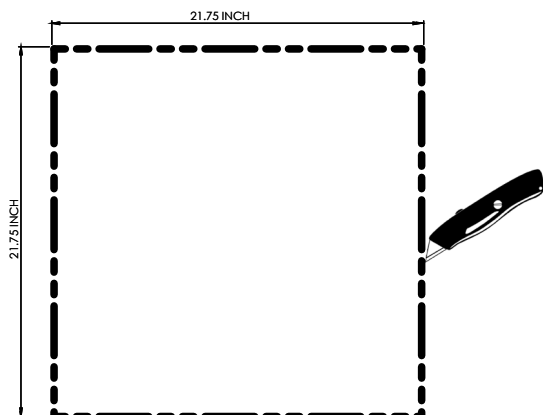
Product	Mounting Type	Dimension	Watts	CRI	Color Temperature	Finish
GDLN		22				
GDLN	TB T-bar 9/16"/ T-bar 15/16" TG Tegular 9/16"/ Tegular 15/16"/ Screw slot T-bar	22 2'X2'	36W Custom Watts (Max. 36W, with increment of 1W)	90C 90CRI	30K 3000K 35K 3500K 40K 4000K	WH White BK Black

For the 30K and 35K, please use the multiplier chart below to calculate the output performance

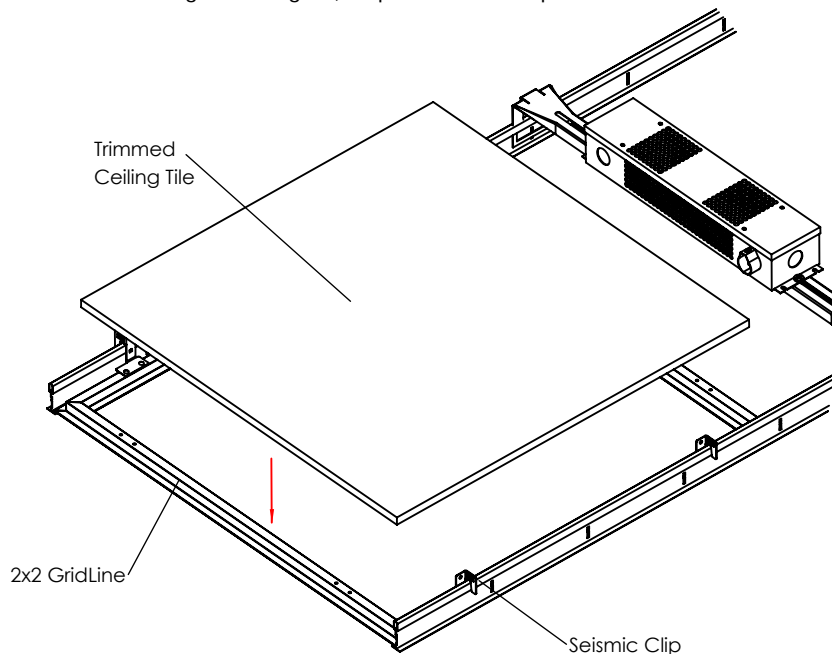
Color Temp	30K	35K	40K
Multiplier	0.92	0.966	1

■ GRIDLINE TILE INSTALLATION

1. Cut the ceiling tile to the dimensions shown below

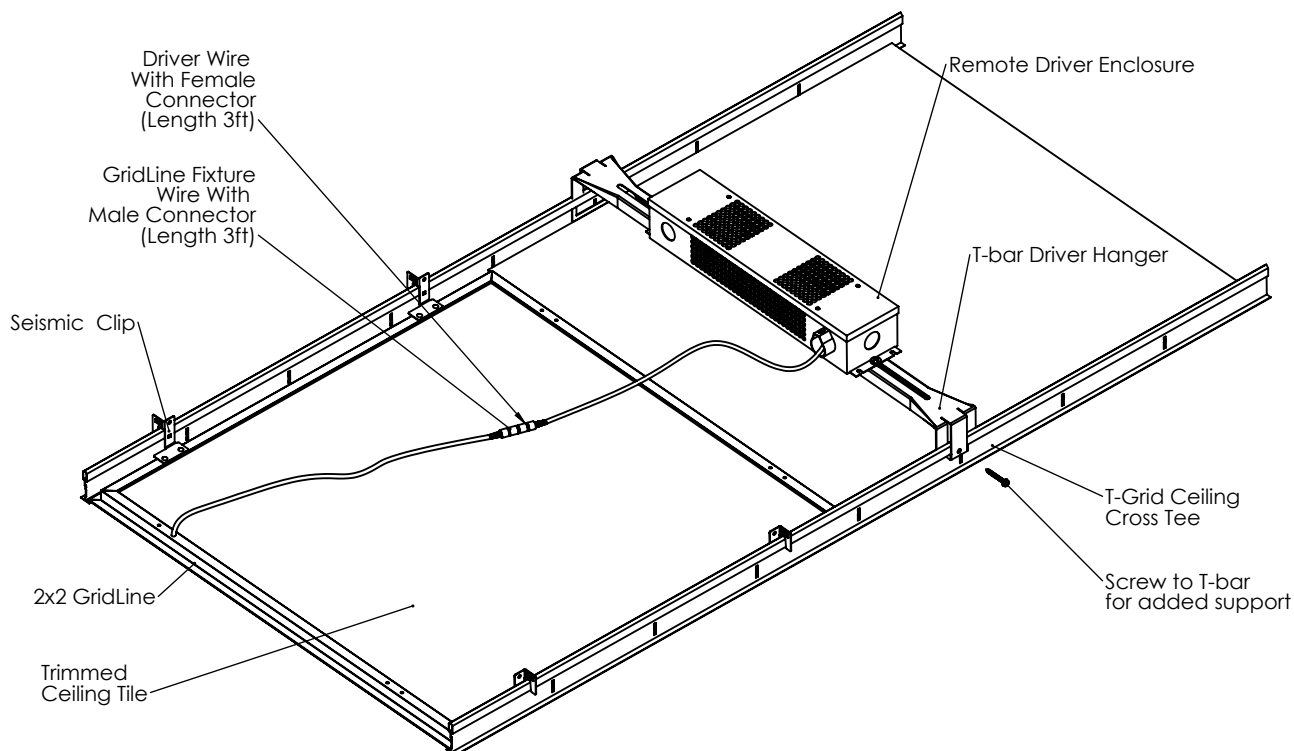


2. After cutting the ceiling tile, drop it in from the top of the GridLine fixture



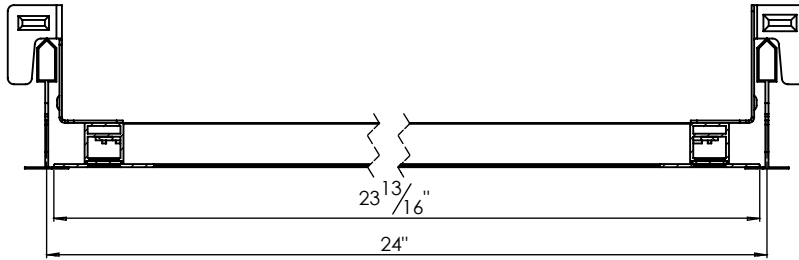
■ DRIVER INSTALLATION

The GridLine Driver is mount remotely to the T-bar driver hanger. Make Sure the driver is installed to **the next T-Grid** of the fixture. After the driver is installed on the T-Grid, connect the provided plenum rated low voltage wire to the fixture wire with male/female connectors.

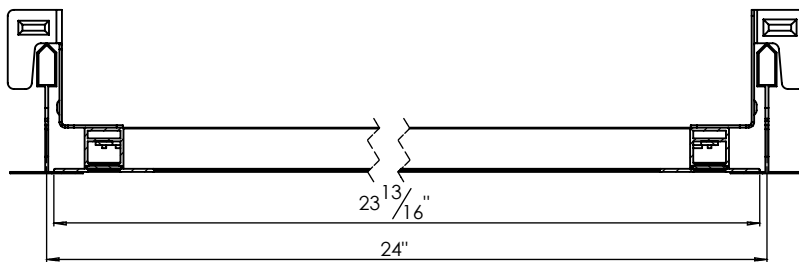


■ MOUNTING OPTIONS

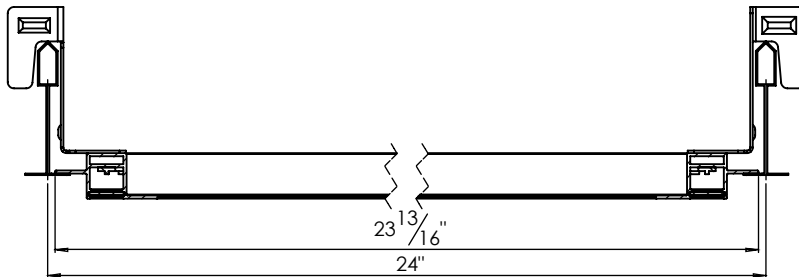
9/16" T-Bar



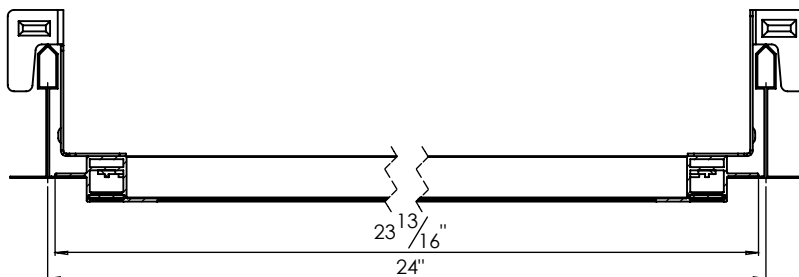
15/16" T-Bar



9/16" T-Tegular



15/16" T-Tegular



Screw Slot T-Bar

