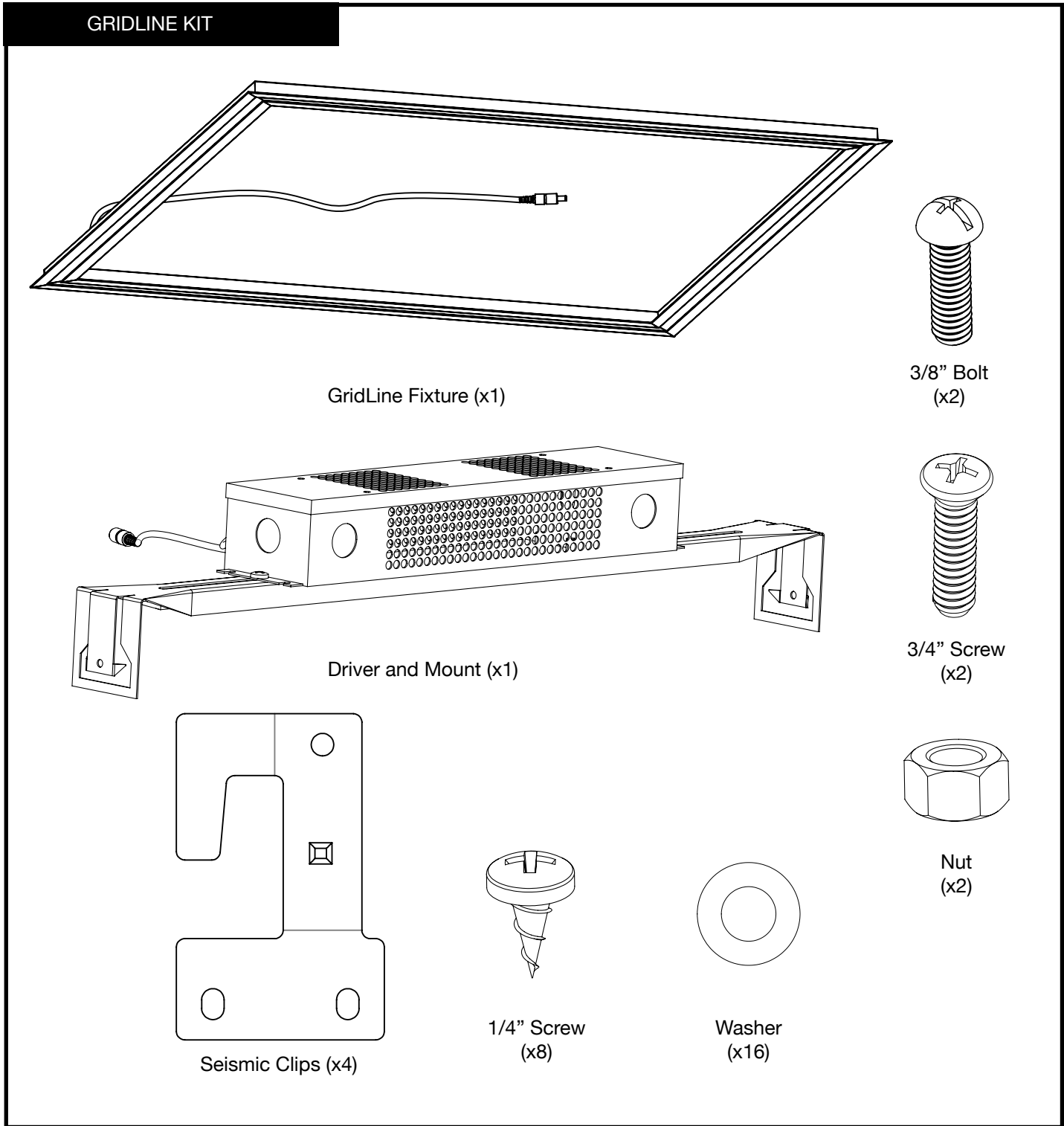


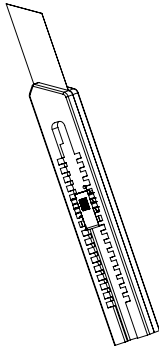
**!CAUTION!** To be used with Class 2 Power Units only.



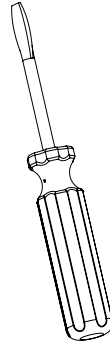
**!CAUTION!**

To be used with Class 2 Power Units only.

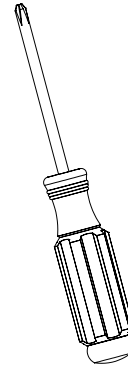
You will need the following tools:



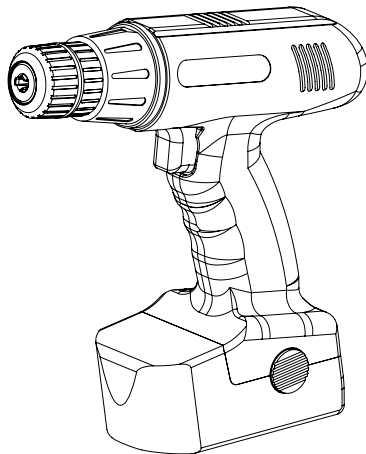
Box Cutter



Flathead Screw Driver



Phillips Screw Driver

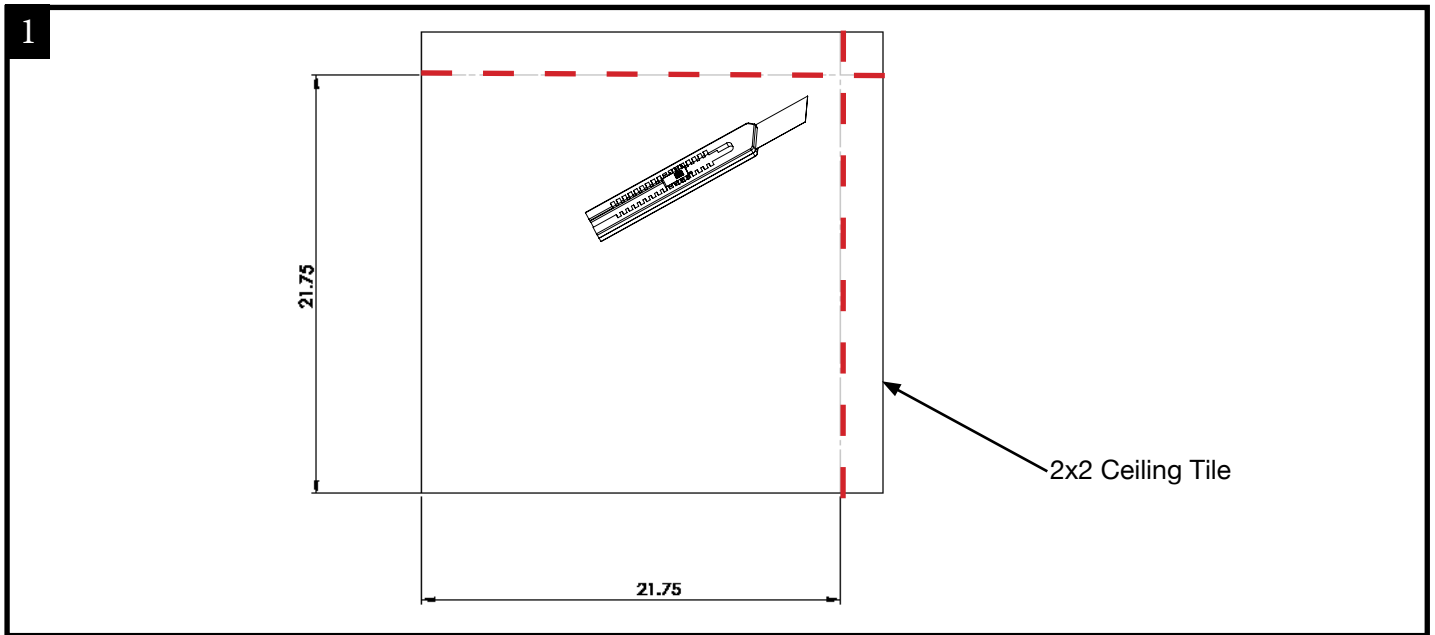


Drill

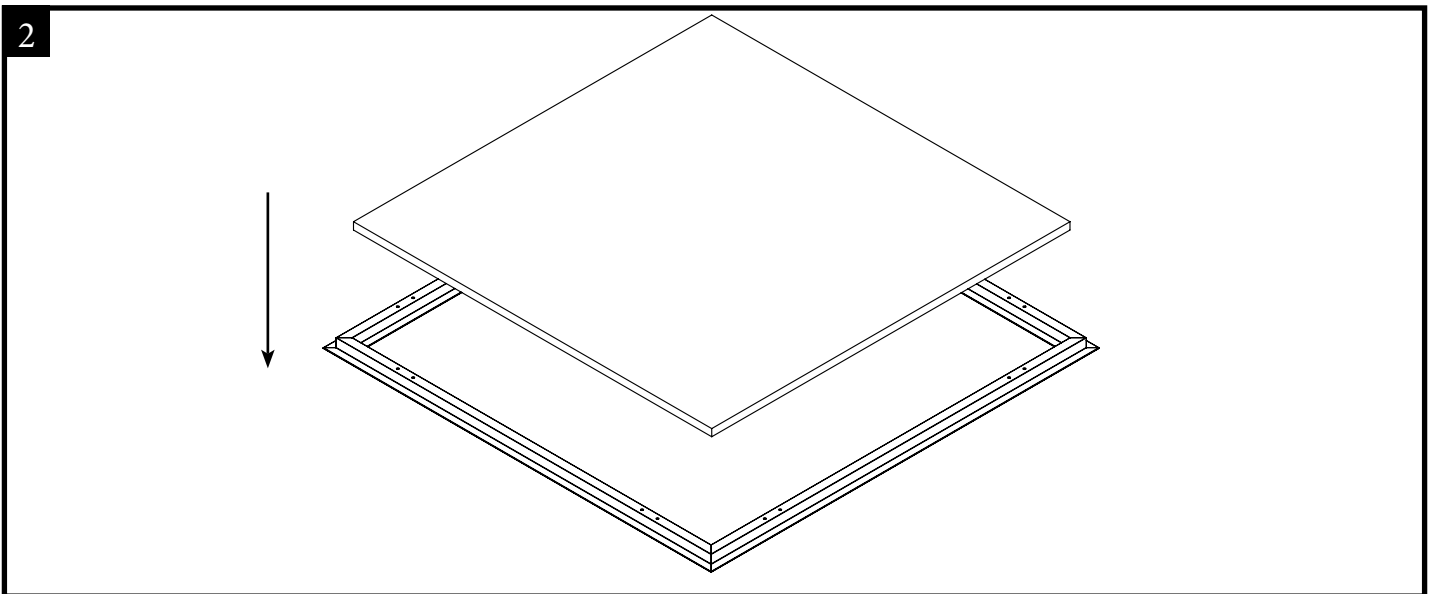


Ladder

**!CAUTION!** To be used with Class 2 Power Units only.

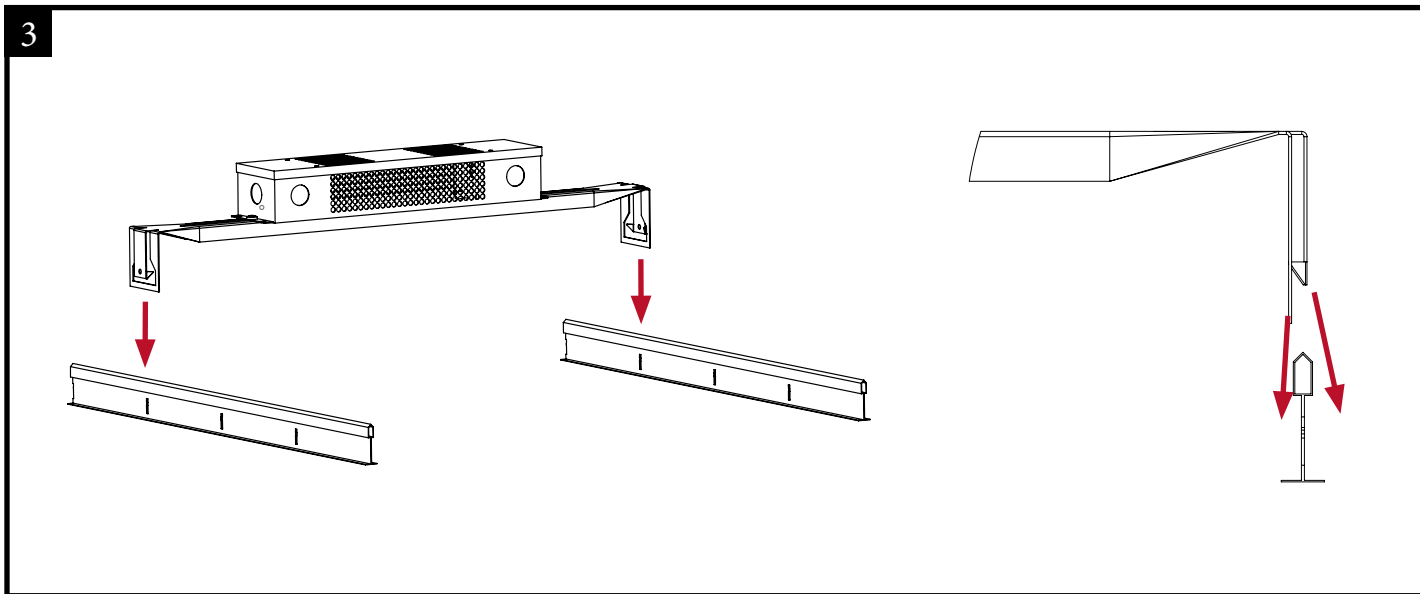


1. Trim the ceiling tile to a 21.75 inch-by-21.75 inch square

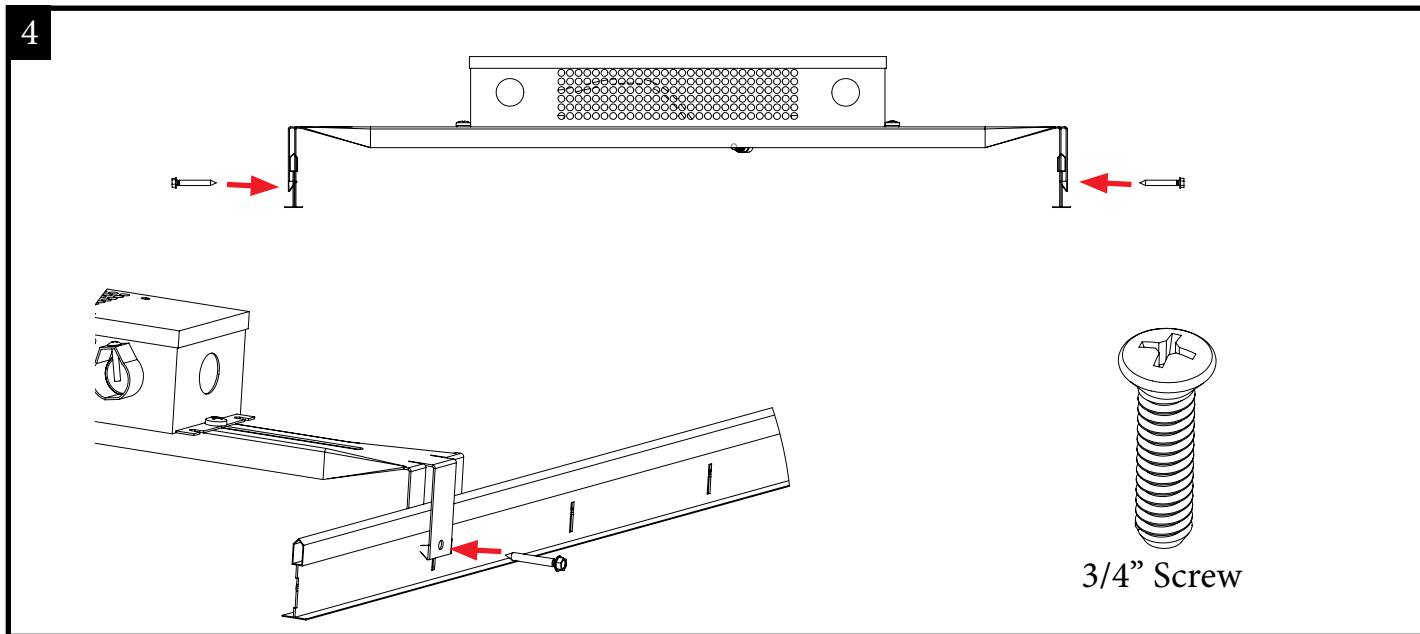


2. After cutting the ceiling tile, drop it into the top of the GridLine fixture.

**!CAUTION!** To be used with Class 2 Power Units only.



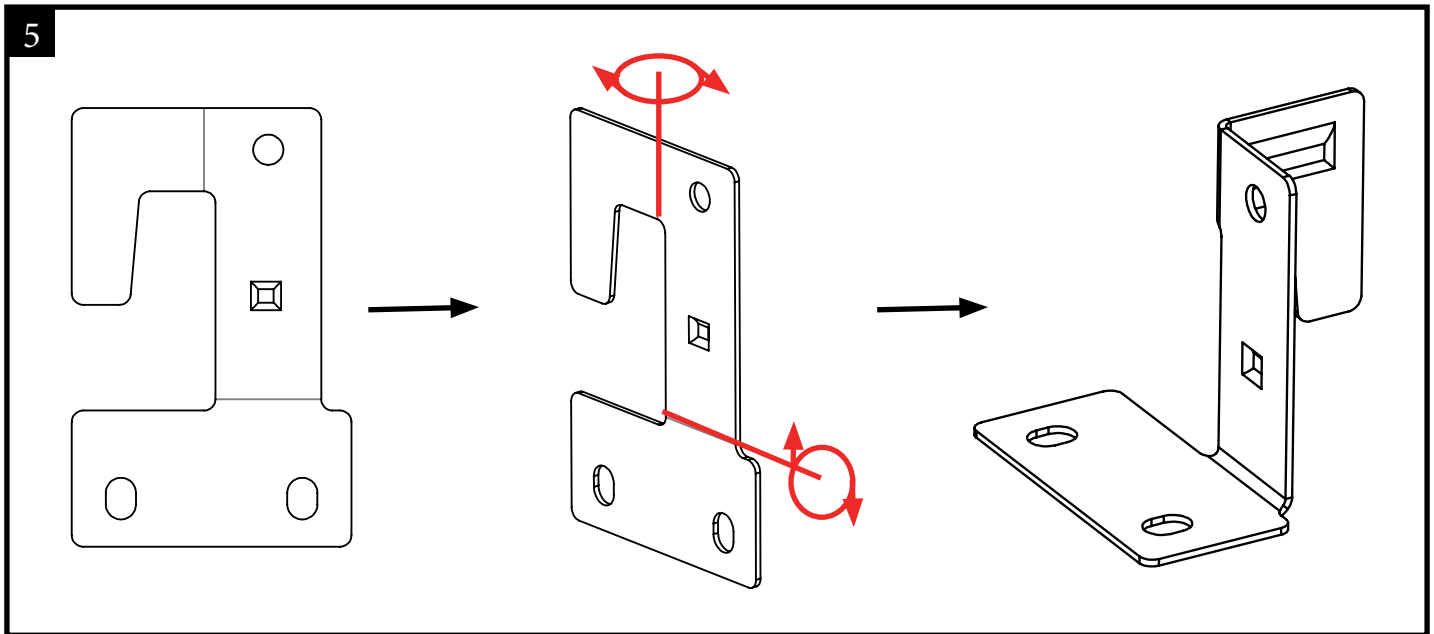
3. Position and clip on driver-mount assembly onto T-Grid ceiling



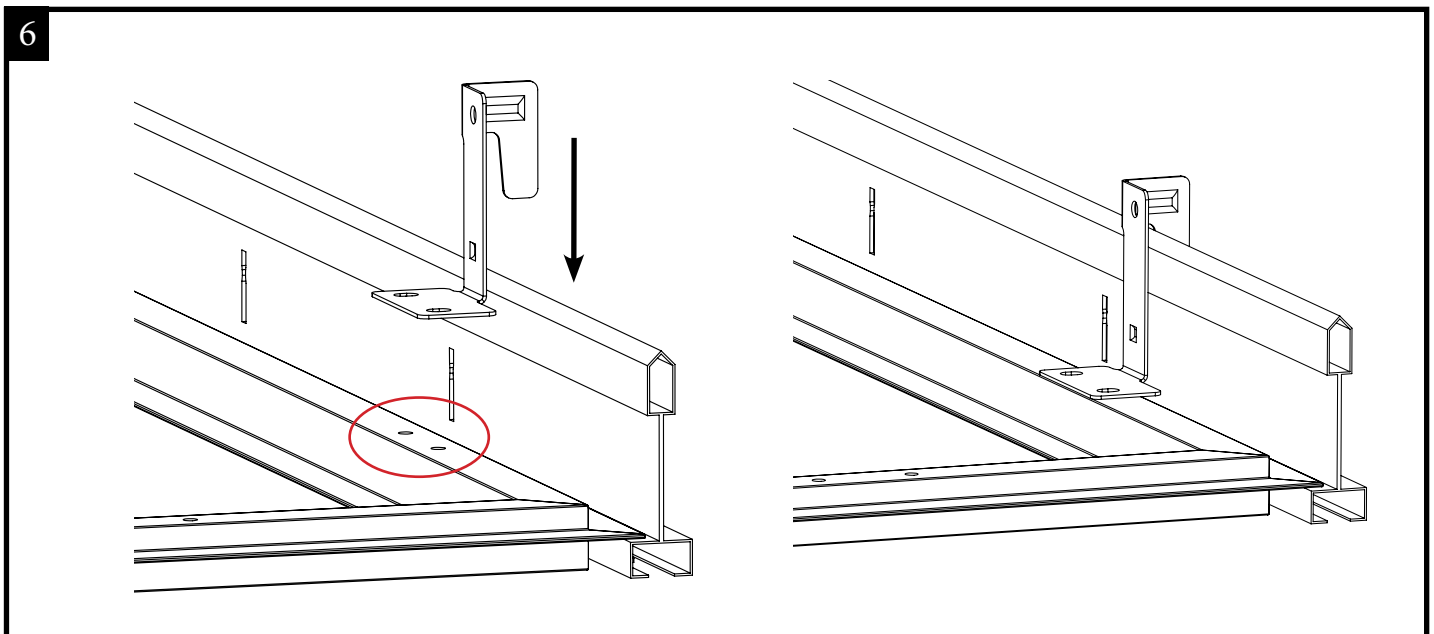
4. Secure driver hanger with screws

**!CAUTION!**

To be used with Class 2 Power Units only.

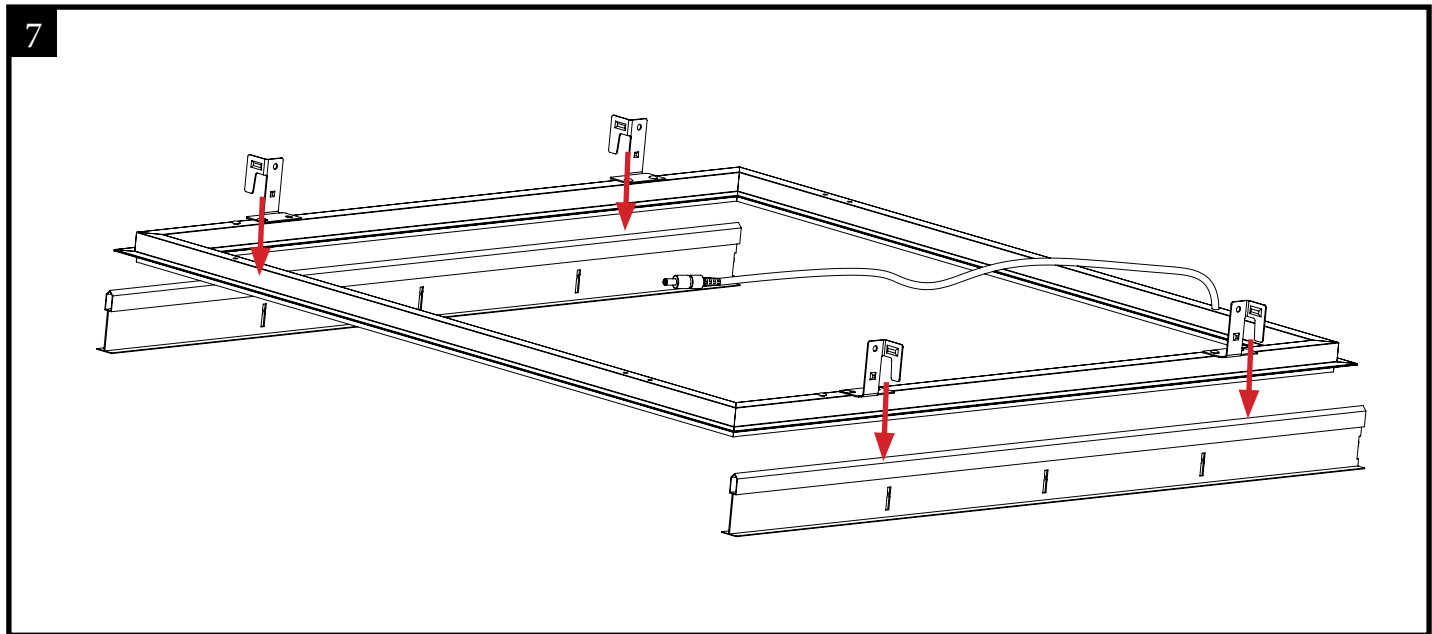


5. Bend the seismic clips

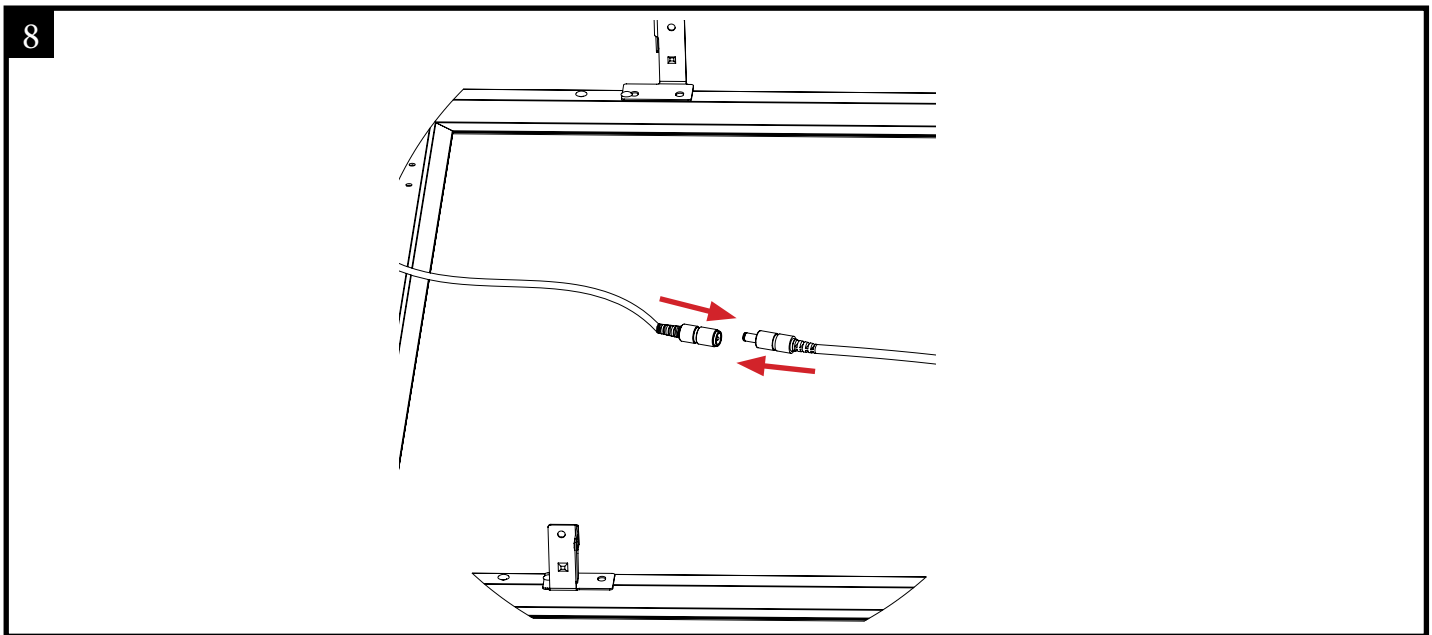


6. Align the seismic clip to the T-bar as shown and make sure the bottom two holes are aligned with the GridLine fixture screw holes. Repeat for the other three sides. Screw in the seismic clips using 1/4" screws.

**!CAUTION!** To be used with Class 2 Power Units only.



7. Make sure all sides are inserted parallel to the T-bar and insert GridLine onto the tile ceilings. Use the seismic clips to attach to the T-bar.



8. Plug the connector from the fixture into the driver to power it on.

**!CAUTION!** To be used with Class 2 Power Units only.

### Final GRIDLINE Assembly

