

## LED RECESSED TROFFER

Project Name:

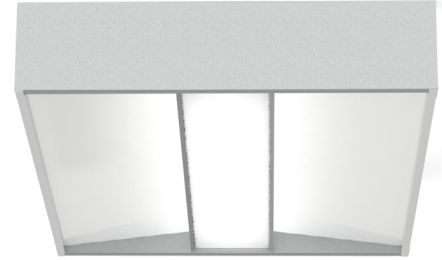
Fixture Type:

### DESCRIPTION

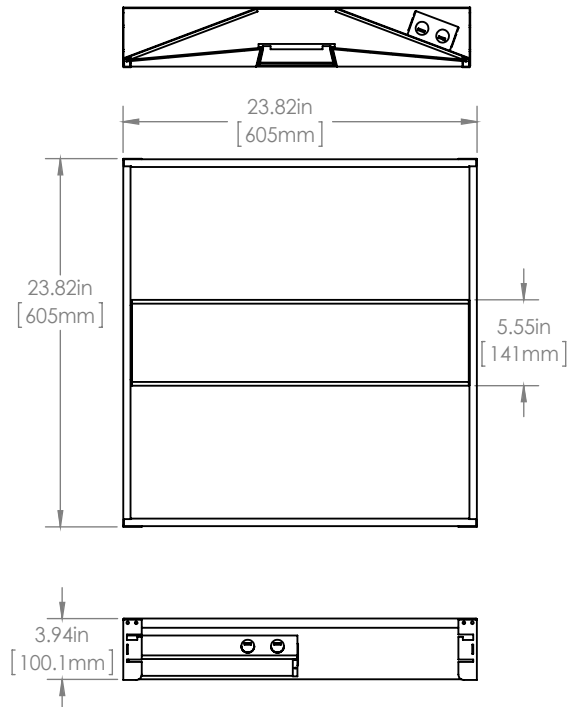
Horizon 2x2 LED Recessed Troffer is a great asset to new construction application or retrofitting exiting troffer fixtures with recessed installation.

### SPECIFICATIONS

- Housing: Steel, commercial quality paint coating.
- Optic: PMMA Precision formed optical lens providing good efficiency, double diffusion material providing even surfacing brightness.
- LED Chip: Approved LM-80 SMD packing, color consistency over time.
- Input: 120-277 VAC 0.42A 40W 50/60Hz
- Power Factor: >0.9 (at 277V)
- Delivered Light Output:
  - HRZN-22-27W-30K 2800Lm
  - HRZN-22-27W-40K 2800Lm
  - HRZN-22-40W-30K 4500Lm
  - HRZN-22-40W-40K 4500Lm
- Efficacy: 112.5lm/W
- CRI: Ra>80
- Color Temperature: 3000K/4000K
- Driver: Output 24-36VDC 1A
  - 0-10V Dimmable, Compatible Dimmers:
  - Leviton: AWRMG-7XX AWSMG-7XX AWSMT-7XX IP710-LFZ/DLX
  - Lutron: DIVA-DVTV NOVA-NVTV NOVAT-NTFTV W/PP20
- Dimensions: 23.8" L x 23.8" W x 3.9" H
- Protection Rating: IP20
- LED life: 50,000h in 25° C ambient temperature
- Thermal management: Bigger size MCPCB for better heat dissipation to maximum LED life.
- Warranty: 5 Year
- Approvals: Certified to UL and DLC standards  
Suitable for damp locations



### DIMENSIONS



### ORDERING CODE

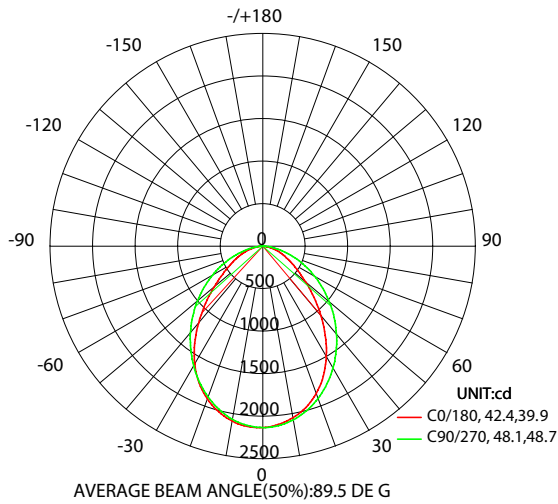
Example: **HRZN-22-40W-30K**

Product	Dimensions- Watts	Color Temp	Additional Options
<b>HRZN</b>	<b>22-40W</b> 2' x 2', 40W <b>22-27W</b> 2' x 2', 27W	<b>30K</b> 3000K <b>40K</b> 4000K	<b>EM</b> Emergency Pack

■ PHOTOMETRIC DATA

## HRZN-22-40W

### LUMINOUS INTENSITY DISTRIBUTION DIAGRAM



### CANDELA DISTRIBUTION (CD)

Vertical Angle	Horizontal Angle				
	0	22.5	45	67.5	90
0	2132	2132	2132	2132	2132
10	2049	2053	2060	2065	2074
20	1842	1857	1881	1894	1905
30	1495	1529	1591	1643	1654
40	1063	1110	1221	1328	1350
50	663	711	841	982	1024
60	387	409	513	646	701
70	209	212	254	353	401
80	63.1	68.6	77.6	116	144
90	0	0	0	0	0
100	0	0	0	0	0
110	0	0	0	0	0
120	0	0	0	0	0
130	0	0	0	0	0
140	0	0	0	0	0.33
150	0.43	0.33	0.28	0.52	0.61
160	0.56	0.72	0.67	1.05	1.11
170	1.44	1.29	1.31	1.52	1.56
180	1.39	1.51	1.39	1.67	1.72

Project Name:

Fixture Type:

### LUMINANCE DATA (CD/M<sup>2</sup>)

Vertical Angle	Horizontal Angle		
	0	45	90
45	6097	5718	4885
55	5443	4701	3655
65	4696	3692	2920
75	3711	2699	2413
85	2038	1526	1462

### ILLUMINANCE AT A DISTANCE

Distance	Average beam fc	Center beam fc	Beam Width ft
3.3ft	93.13	198.3	5.7
6.6ft	24.03	49.58	11.5
9.8ft	10.68	22.03	17.2
13.1ft	6.00	12.39	22.9
16.4ft	3.85	7.93	28.7

Beam Spread: 82deg

### ZONE LUMENS

Zone	Lumens
0-10	200.5
10-20	560.7
20-30	808.2
30-40	892.7
40-50	813.1
50-60	628.1
60-70	411.0
70-80	202.7
80-90	41.7
90-100	0.01
100-110	0.01
110-120	0.06
120-130	0.15
130-140	0.29
140-150	0.44
150-160	0.53
160-170	0.43
170-180	0.16