

# Hi Beam Double Wet

## LED TAPE LIGHT

Project Name:

Fixture Type:

### DESCRIPTION

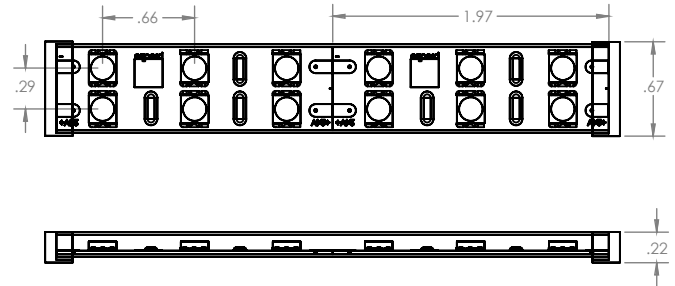
All PreciseLED tape light products feature a flexible copper core and are cut and soldered to specified length in our factory. PreciseLED tape lights additionally have best-in-class color rendering, color consistency, and, when combined with our dimming drivers, dimming and flickering performance. Twice the power as our HI-BEAM WET, our HI-BEAM DOUBLE WET Tape Light is for when more light is needed. With a wet location rating of IP65, there's not much this LED tape light cannot handle. The silicone sleeve is protective against Hi Stream Water Jets and is specially formulated not to change the color temperature.



### SPECIFICATIONS

- Voltage: 24V
- Watts per foot: 8.8W/ft
- Average Lumens per foot: 483 Lm/ft
- 5050 LED's
- Dimmable using dimmable driver
- Backed with 3M Adhesive
- Ambient Temperature: -4°F ~ +113°F
- Humidity: 40% ~ 70% R
- Protection: IP66
- Tail end field cuttable every 1.97 Inches
- 50,000 Hours Lamp Life
- Max Run: 8.75 Feet
- 3 Step Binning Process
- CRI ≥ 95 , R<sub>r</sub> ≥ 95 , R<sub>g</sub> ≥ 100
- UL Listed for US and Canada

### DIMENSIONS



### LUMEN OUTPUT PER COLOR TEMPERATURE

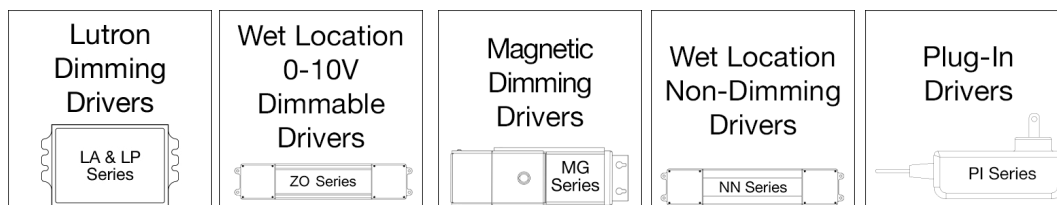
2700K	458 Lm/ft
3000K	488 Lm/ft
3500K	489 Lm/ft
4000K	498 Lm/ft

### ORDERING CODE

Example: HBDW-16'-24V-95C-30K-EGNT

Product	Spool Length	Volts	CRI	Color Temperature	Ambience
<b>HBDW</b>	'ft      "in  Custom Length  For ordering lengths, see page 3.	<b>24V</b> 24 Volts	<b>95</b> 95CRI	27K 2700K 30K 3000K 40K 4000K	Standard

### COMPATIBLE TAPE LIGHT DRIVERS



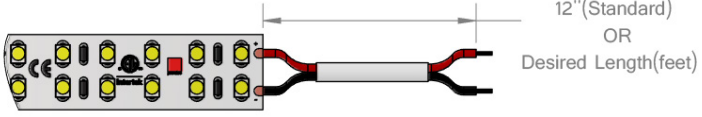
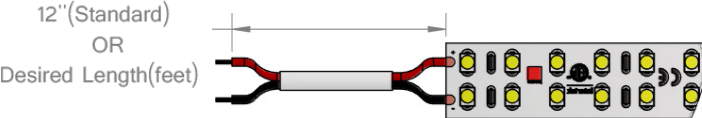



Click [here](#) for a more detailed Driver Overview.

# Hi Beam Double Wet

LED TAPE LIGHT

Project Name:

Fixture Type:

Optional Wiring Configurations	Description	Ordering Code
	Custom Tail Wire Length	TAIW
	Custom Lead Wire Length	LEAW
	Tail Jumper Cable	JUMP
	2.1MM DC CONNECTOR (FEMALE)	PLGF
	2.1MM DC CONNECTOR (MALE)	PLGM

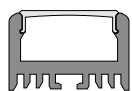
\*Default wire length is 12", no number in front of ordering code indicates default length

Note: Solder points are secured with cable grips.

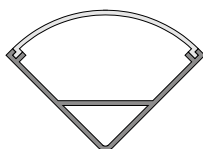
## ORDERING CODE

Example: HBDW-16'-24V-95C-30K-EGNT-14TAIW

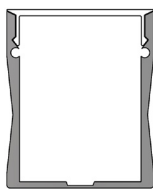
## COMPATIBLE TAPE LIGHT CHANNELS



CNWD -  
Connectwide



45WD -  
45 Degree Wide



FGTL -  
Figure Tall

Click [here](#) to view our Tape Light Channels

# Hi Beam Double Wet

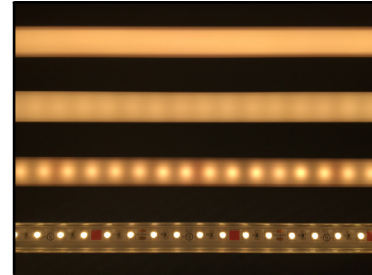
LED TAPE LIGHT

Project Name:

Fixture Type:

## ■ LEVEL OF SPOTLESSNESS PER CHANNEL/ LENS COMBINATION

	Opal Lens	Diffuse Lens	Clear Lens
FIGURE	SS	SS	CL
FIGURE FLAT	SP	SP	CL
CONNECTWIDE	SS	SP	CL
FIGURE TALL	SL	SL	CL

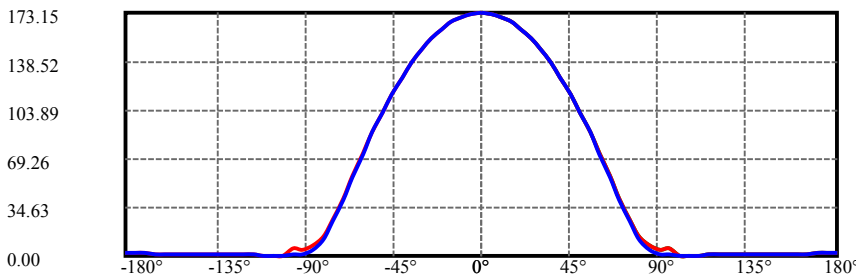
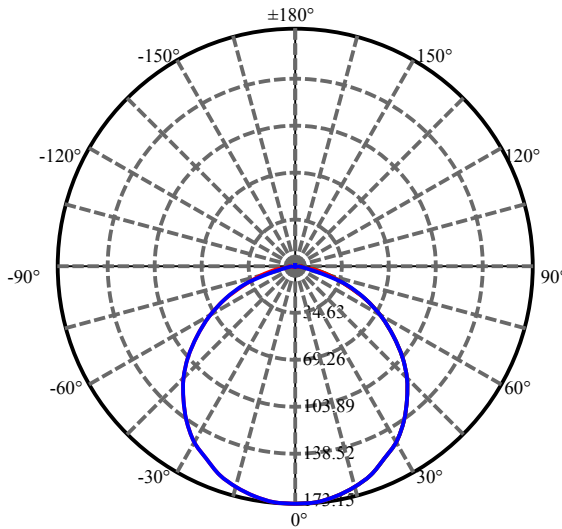


SL = Spotless  
SS = Slightly Spotty  
SP = Spotty  
CL = Clear

## ■ TOTAL LUMEN OUTPUT FOR CHANNEL/ LENS COMBINATION

	Opal Lens	Diffuse Lens	Clear Lens
FIGURE FLAT	41%	63%	85%
CONNECTWIDE	26%	53%	67%

## ■ LIGHT DISTRIBUTION CURVE



C0(Max): ———  
 C0/C180: ———  
 C90/C270: ———  
 Field angle(10%Imax):C0/180Left:78.6 Right:78.6  
 :C90/270Left:77.8 Right:77.8  
 Beam Angle(50%Imax):C0/180Left:55.5 Right:55.5  
 :C90/270Left:55.4 Right:55.4

# Hi Beam Double Wet

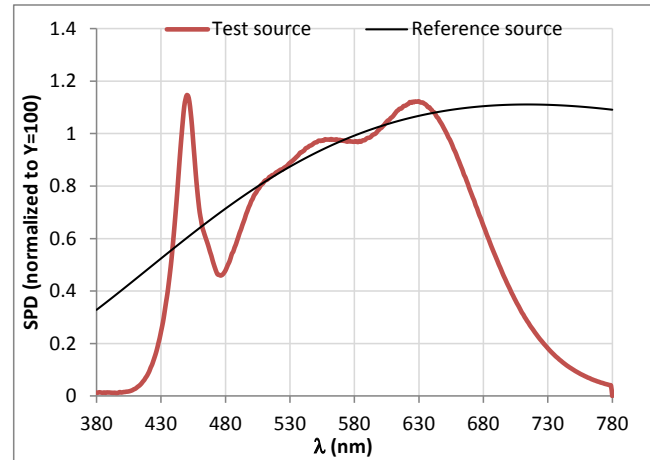
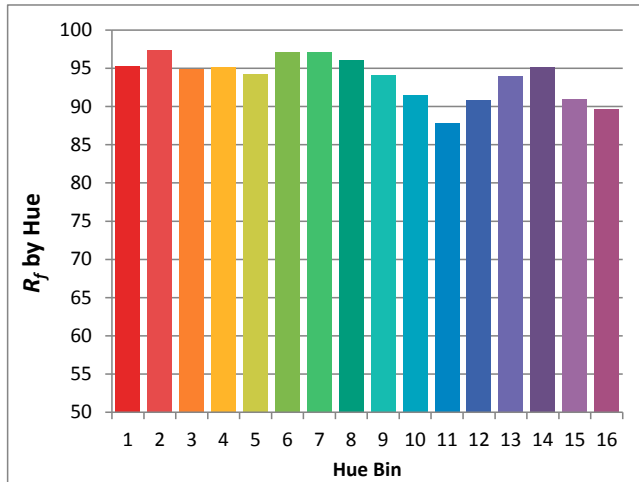
LED TAPE LIGHT

Project Name:

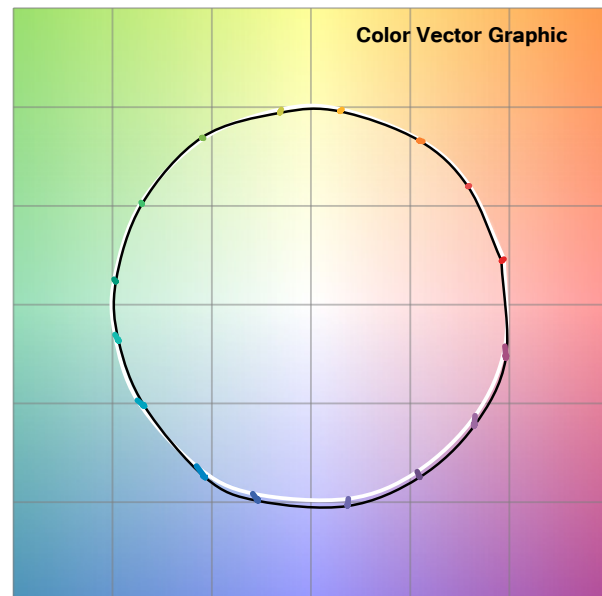
Fixture Type:

■ TM-30 DATA

4000K CCT



Hue Bin	R <sub>f</sub>	Graphic shifts (%)	
		Chroma	Hue
1	95	-2%	-1%
2	97	-1%	0%
3	95	-1%	2%
4	95	-1%	1%
5	94	-2%	1%
6	97	1%	1%
7	97	-1%	0%
8	96	-1%	1%
9	94	-1%	4%
10	91	-1%	5%
11	88	2%	7%
12	91	3%	3%
13	94	4%	-1%
14	95	3%	-1%
15	91	2%	-5%
16	90	2%	-6%



# Hi Beam Double Wet

## LED TAPE LIGHT

Project Name:

Fixture Type:

- Please refer to chart below for exact lengths of the Hi Beam Double Wet Tape Light

The wet tape light has a starting cap which make it 0.5 inches longer. That means the actual length of the sleeved tape light includes the 0.5 Inches of the starting cap.

Ordered Length		Actual Length of sleeved Tape Light
(Foot-Inches)	(Inches)	(Inches)
0'-1"	1	1.9
0'-3"	3	3.8
0'-5"	5	5.7
0'-7"	7	7.6
0'-9"	9	9.5
0'-11"	11	11.4
1'-1"	13	13.3
1'-3"	15	15.2
1'-5"	17	17.1
1'-7"	19	19
1'-8"	20	20.9
1'-10"	22	22.8
2'-0"	24	24.7
2'-2"	26	26.6
2'-4"	28	28.5
2'-6"	30	30.4
2'-8"	32	32.3
2'-10"	34	34.2
3'-0"	36	36.1
3'-2"	38	38
3'-3"	39	39.9
3'-5"	41	41.8
3'-7"	43	43.7
3'-9"	45	45.6
3'-11"	47	47.5
4'-1"	49	49.4
4'-3"	51	51.3
4'-5"	53	53.2

Ordered Length		Actual Length of sleeved Tape Light
(Foot-Inches)	(Inches)	(Inches)
4'-7"	55	55.6
4'-9"	57	57.5
4'-10"	58	59.4
5'-0"	60	61.3
5'-2"	62	63.2
5'-4"	64	65.1
5'-6"	66	67
5'-8"	68	68.9
5'-10"	70	70.8
6'-0"	72	72.7
6'-2"	74	74.6
6'-4"	76	76.5
6'-5"	77	78.4
6'-7"	79	80.3
6'-9"	81	82.2
6'-11"	83	84.1
7'-1"	85	86
7'-3"	87	87.9
7'-5"	89	89.8
7'-7"	91	91.7
7'-9"	93	93.6
7'-11"	95	95.5
8'-0"	96	97.4
8'-2"	98	99.3
8'-4"	100	101.2
8'-6"	102	103.1
8'-8"	104	105
8'-10"	106	106.9