

# Hi Beam Hi Efficacy Wet

## LED TAPE LIGHT

Project Name:

Fixture Type:



### DESCRIPTION

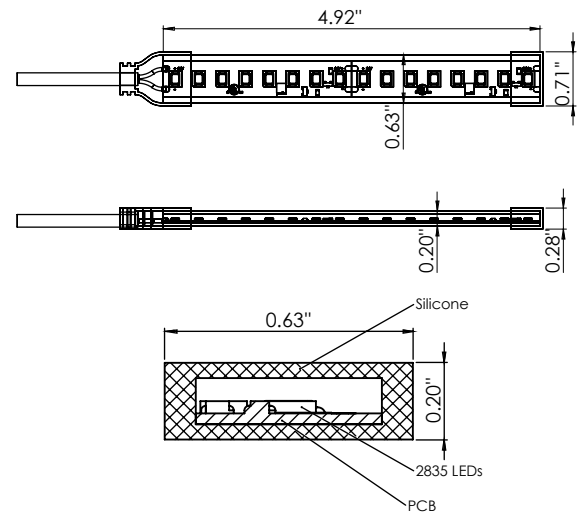
All PreciseLED tape light products feature a flexible copper core and are cut and soldered to specified length in our factory. PreciseLED tape lights additionally have best-in-class color rendering, color consistency, and, when combined with our dimming drivers, dimming and flickering performance. Our HIHW Tape Light is our most efficient tape light. It sets the standard for performance and superior quality. With a wet location rating of IP65, there's not much this LED tape light cannot handle. The silicone sleeve is protective against Hi Stream Water Jets and is specially formulated not to change the color temperature.

### SPECIFICATIONS

- Voltage: 24V
- Watts per foot: 4.4 W/ft
- Average Lumens per foot: 408.5 Lm/ft
- 2835 LED's
- 40 diodes/foot
- Dimmable using dimmable driver
- Backed with 3M Adhesive
- Ambient Temperature: -4°F ~ +113°F
- Humidity: 40% ~ 70% R
- IP Protection: IP65
- 50,000 Hours Lamp Life
- Max Run: 17.5 Feet
- 3 Step Binning Process
- CRI ≥ 95 , R<sub>r</sub> ≥ 95 , R<sub>g</sub> ≥ 100
- UL Listed for US and Canada
- 5 Year Warranty
- Not Field Cuttable



### DIMENSIONS



### LUMEN OUTPUT PER COLOR TEMPERATURE

|       |           |
|-------|-----------|
| 2700K | 404 Lm/ft |
| 3000K | 413 Lm/ft |

Please see [PreciseLED.com](http://PreciseLED.com) for warranty and installation information.

### ORDERING CODE

Example: **HIHW-16'-24V-95C-30K-IP67**

| Product     | Spool Length   | Volts                | CRI                | Color Temperature  | Ambiance           |
|-------------|--|----------------------|--------------------|--|--------------------|
| <b>HIHW</b> |  | <b>24V</b>           | <b>95C</b>         |  | <b>ST</b>          |
| <b>HIHW</b> | 'ft      "in<br>Custom Length<br><br>For ordering lengths, see page 5. | <b>24V- 24 Volts</b> | <b>95C ≥ 95CRI</b> | <b>22K 2200K<br/>27K 2700K<br/>30K 3000K<br/>35K 3500K<br/>40K 4000K</b> | <b>ST Standard</b> |

### COMPATIBLE TAPE LIGHT DRIVERS

|   |   |  |  |   |
|---|---|--|--|---|
| <p>Lutron Dimming Drivers</p> <p>LA &amp; LP Series</p> | <p>Wet Location 0-10V Dimmable Drivers</p> <p>ZO Series</p> | <p>Magnetic Dimming Drivers</p> <p>MG Series</p> | <p>Wet Location Non-Dimming Drivers</p> <p>NN Series</p> | <p>Plug-In Drivers</p> <p>PI Series</p> |
|---|---|--|--|---|

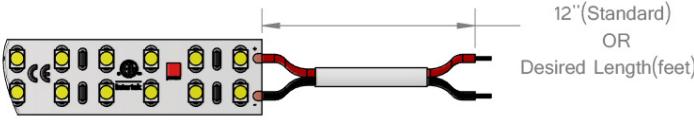
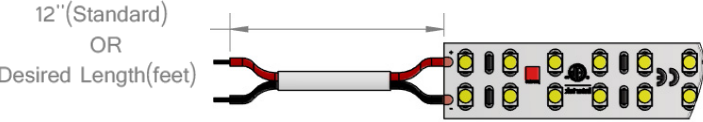



Click [here](#) for a more detailed driver overview.

# Hi Beam Hi Efficacy Wet

## LED TAPE LIGHT

Project Name:

Fixture Type:

| Optional Wiring Configurations   | Description                 | Ordering Code |
|--|-----------------------------|---------------|
|  <p>12"(Standard)<br/>OR<br/>Desired Length(feet)</p> | Custom Tail Wire Length     | TAIW          |
|  <p>12"(Standard)<br/>OR<br/>Desired Length(feet)</p> | Custom Lead Wire Length     | LEAW          |
|   | Tail Jumper Cable           | JUMP          |
|    | 2.1MM DC CONNECTOR (FEMALE) | PLGF          |
|   | 2.1MM DC CONNECTOR (MALE)   | PLGM          |

\*Default wire length is 12" if there is no number in front of ordering code

Note: Solder points are secured with cable grips.

### ORDERING CODE

Example: **HIHW-16'-24V-95C-30K-14TAIW**

# Hi Beam Hi Efficacy Wet

## LED TAPE LIGHT

Project Name:

Fixture Type:

### COMPATIBLE TAPE LIGHT CHANNELS



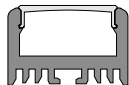
**Figure**

Dimensions: 0.89"W x 0.61"H



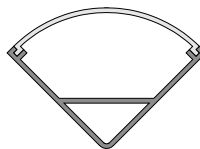
**Figure Tall**

Dimensions: 0.91"W x 1.11"H



**Connectwide**

Dimensions: 1.01"W x 0.67"H



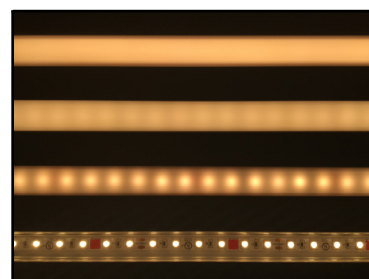
**45WD**

Dimensions: 1.18"W x 1.18"H

Click [here](#) to view our Tape Light Channels

### LEVEL OF SPOTLESSNESS PER CHANNEL/ LENS COMBINATION

|             | Opal Lens | Diffuse Lens | Clear Lens |
|-------------|-----------|--------------|------------|
| FIGURE      | SL        | SL           | CL         |
| FIGURE FLAT | SS        | SP           | CL         |
| CONNECTWIDE | SS        | SS           | CL         |
| FIGURE TALL | SL        | SL           | CL         |



SL = Spotless

SS = Slightly Spotty

SP = Spotty

CL = Clear

### TOTAL LUMEN OUTPUT FOR CHANNEL/ LENS COMBINATION

|             | Opal Lens | Diffuse Lens | Clear Lens |
|-------------|-----------|--------------|------------|
| FIGURE      | 30%       | 51%          | 70%        |
| FIGURE FLAT | 41%       | 63%          | 85%        |
| CONNECTWIDE | 26%       | 53%          | 67%        |
| 45 DEGREE   | 25%       | 49%          | 62%        |

# Hi Beam Hi Efficacy Wet

## LED TAPE LIGHT

Project Name:

Fixture Type:

**Please refer to chart below for exact lengths of the Hi Beam Tape Light**

| Ordered Length |          | Actual Length |
|----------------|----------|---------------|
| (Foot-Inches)  | (Inches) | (Inches)      |
| 0'-3"          | 3        | 3.9           |
| 0'-7"          | 7        | 7.8           |
| 0'-11"         | 11       | 11.7          |
| 1'-3"          | 15       | 15.6          |
| 1'-7"          | 19       | 19.5          |
| 1'-11"         | 23       | 23.4          |
| 2'-3"          | 27       | 27.3          |
| 2'-7"          | 31       | 31.2          |
| 2'-11"         | 35       | 35.1          |
| 3'-3"          | 39       | 39            |
| 3'-6"          | 42       | 42.9          |
| 3'-10"         | 46       | 46.8          |
| 4'-2"          | 50       | 50.7          |
| 4'-6"          | 54       | 54.6          |
| 4'-10"         | 58       | 58.5          |
| 5'-2"          | 62       | 62.4          |
| 5'-6"          | 66       | 66.3          |
| 5'-10"         | 70       | 70.2          |
| 6'-2"          | 74       | 74.1          |
| 6'-6"          | 78       | 78            |
| 6'-9"          | 81       | 81.9          |
| 7'-1"          | 85       | 85.8          |
| 7'-5"          | 89       | 89.7          |
| 7'-9"          | 93       | 93.6          |
| 8'-1"          | 97       | 97.5          |
| 8'-5"          | 101      | 101.4         |
| 8'-9"          | 105      | 105.3         |
| 9'-1"          | 109      | 109.2         |

| Ordered Length |          | Actual Length |
|----------------|----------|---------------|
| (Foot-Inches)  | (Inches) | (Inches)      |
| 9'-5"          | 113      | 113.1         |
| 9'-9"          | 117      | 117           |
| 10'-0"         | 120      | 120.9         |
| 10'-4"         | 124      | 124.8         |
| 10'-8"         | 128      | 128.7         |
| 11'-0"         | 132      | 132.6         |
| 11'-4"         | 136      | 136.5         |
| 11'-8"         | 140      | 140.4         |
| 12'-0"         | 144      | 144.3         |
| 12'-4"         | 148      | 148.2         |
| 12'-8"         | 152      | 152.1         |
| 13'-0"         | 156      | 156           |
| 13'-3"         | 159      | 159.9         |
| 13'-7"         | 163      | 163.8         |
| 13'-11"        | 167      | 167.7         |
| 14'-3"         | 171      | 171.6         |
| 14'-7"         | 175      | 175.5         |
| 14'-11"        | 179      | 179.4         |
| 15'-3"         | 183      | 183.3         |
| 15'-7"         | 187      | 187.2         |
| 15'-11"        | 191      | 191.1         |
| 16'-3"         | 195      | 195           |
| 16'-6"         | 198      | 198.9         |
| 16'-10"        | 202      | 202.8         |
| 17'-2"         | 206      | 206.7         |
| 17'-6"         | 210      | 210.6         |