

Lo Beam Wet

LED TAPE LIGHT

Project Name:

Fixture Type:

DESCRIPTION

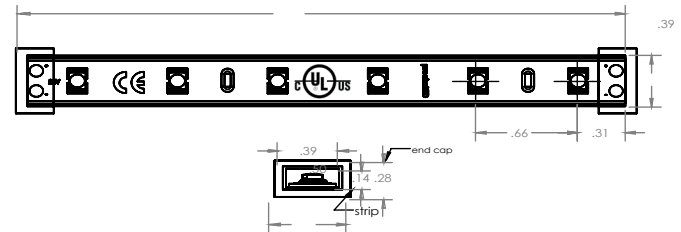
All PreciseLED tape light products feature a flexible copper core and are cut and soldered to specified length in our factory. PreciseLED tape lights additionally have best-in-class color rendering, color consistency, and, when combined with our dimming drivers, dimming and flickering performance. Our LO-BEAM Wet Tape Light is a designer favorite. This product is great for accenting stairwells, for cove lighting and other uses where small light output is needed. With a wet location rating of IP65, there's not much this LED tape light cannot handle. The silicone sleeve is protective against Hi Stream Water Jets and is specially formulated not to change the color temperature.



SPECIFICATIONS

- Voltage: 24V
- Watts per foot: 1.46W/ft
- Average Lumens per foot: 84.5 Lm/ft
- 3528 LED's
- 18 diodes/foot
- Dimmable using dimmable driver
- Ambient Temperature: -4°F ~ +113°F
- Humidity: 40% ~ 70% R
- Protection: IP67
- Tail end field cuttable every 3.94 Inches
- 50,000 Hours Lamp Life
- Max Run: 52.6 Feet
- 3 Step Binning Process
- CRI ≥ 95 , R_r ≥ 95 , R_g ≥ 100
- UL Listed for US and Canada
- 5 Year Warranty

DIMENSIONS



LUMEN OUTPUT PER COLOR TEMPERATURE

2700K	85 Lm/ft
3500K	84 Lm/ft

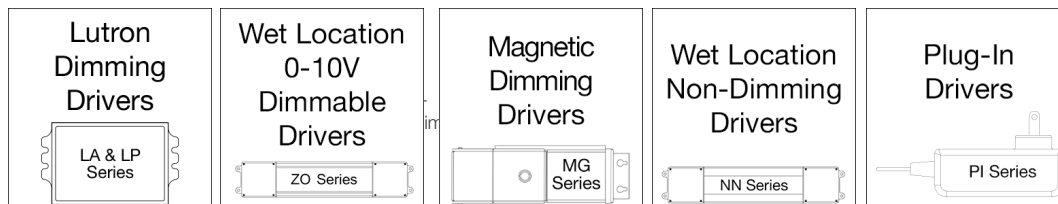
Please see PreciseLED.com for warranty and installation information.

ORDERING CODE

Example: LOBW-16'-24V-95C-30K-EGNT

Product	Spool Length	Volts	CRI	Color Temperature	Ambience
LOBW	'ft "in Custom Length For ordering lengths, see page 3.	24V 24 Volts	95 95CRI	22K 2200K 24K 2400K 27K 2700K 30K 3000K 35K 3500K 40K 4000K	Standard EGNITE* *Below Black Body Curve For 3000K and below Click here for Egnite info.

COMPATIBLE TAPE LIGHT DRIVERS



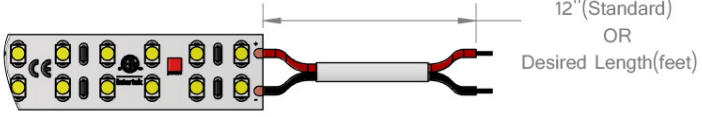
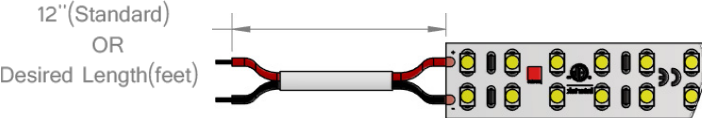



Click [here](#) for a more detailed Driver Overview.

Lo Beam Wet

LED TAPE LIGHT

Project Name:

Fixture Type:

Optional Wiring Configurations	Description	Ordering Code
	Custom Tail Wire Length	TAIW
	Custom Lead Wire Length	LEAW
	Tail Jumper Cable	JUMP
	2.1MM DC CONNECTOR (FEMALE)	PLGF
	2.1MM DC CONNECTOR (MALE)	PLGM

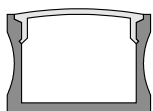
*Default wire length is 12", no number in front of ordering code indicates default length

Note: Solder points are secured with cable grips.

ORDERING CODE

Example: LOBW-16'-24V-95C-30K-EGNT-14TAIW

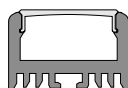
COMPATIBLE TAPE LIGHT CHANNELS



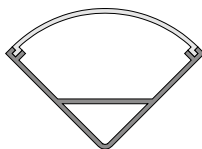
FGRE - Figure



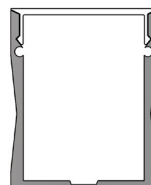
FGFL - Figure Flat



CNWD - Connectwide



45WD - 45 Degree Wide



FGTL - Figure Tall

Click [here](#) to view our Tape Light Channels

Lo Beam Wet

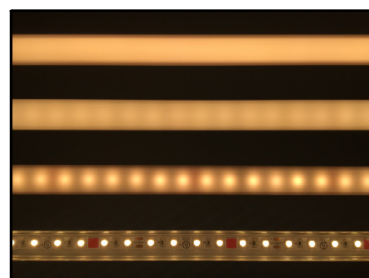
LED TAPE LIGHT

Project Name:

Fixture Type:

■ LEVEL OF SPOTLESSNESS PER CHANNEL/ LENS COMBINATION

	Opal Lens	Diffuse Lens	Clear Lens
FIGURE	SS	SS	CL
FIGURE FLAT	SP	SP	CL
CONNECTWIDE	SS	SP	CL
FIGURE TALL	SL	SL	CL



SL = Spotless

SS = Slightly Spotty

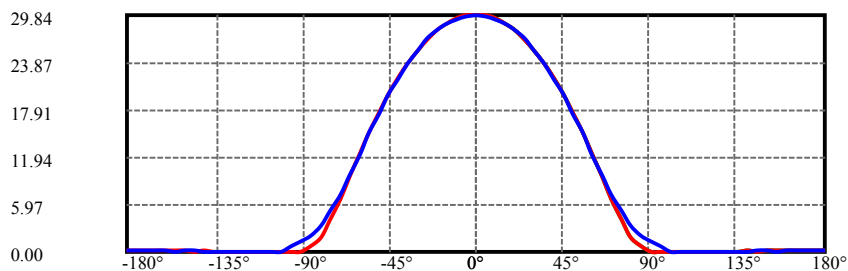
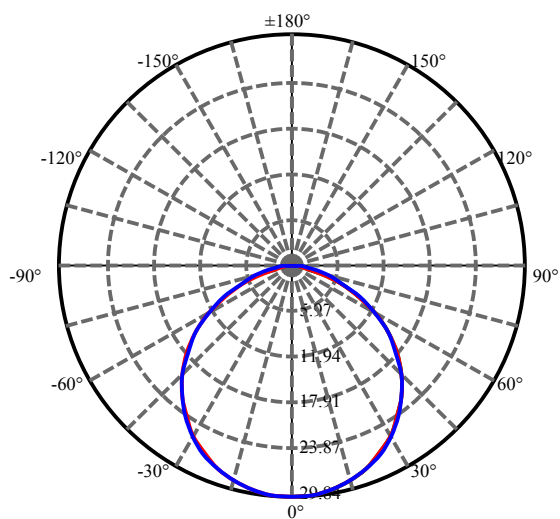
SP = Spotty

CL = Clear

■ TOTAL LUMEN OUTPUT FOR CHANNEL/ LENS COMBINATION

	Opal Lens	Diffuse Lens	Clear Lens
FIGURE	30%	51%	70%
FIGURE FLAT	41%	63%	85%
CONNECTWIDE	26%	53%	67%

■ LIGHT DISTRIBUTION CURVE



C0(Max):

C0/C180:

C90/C270:

Field angle(10%Imax):C0/180Left:77.5 Right:77.5

:C90/270Left:81.1 Right:81.1

Beam Angle(50%Imax):C0/180Left:55.1 Right:55.1

:C90/270Left:55.1 Right:55.1

Lo Beam Wet

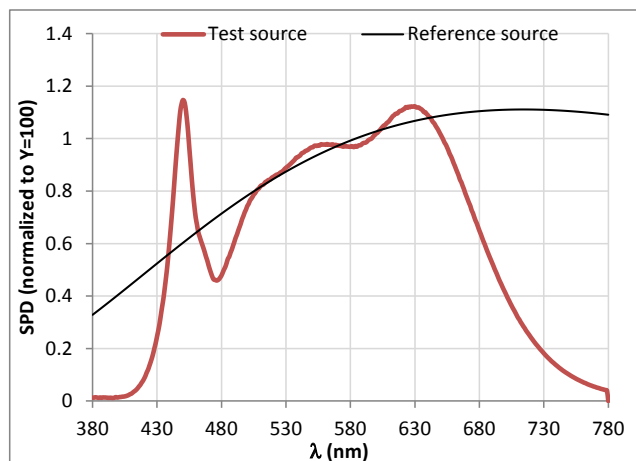
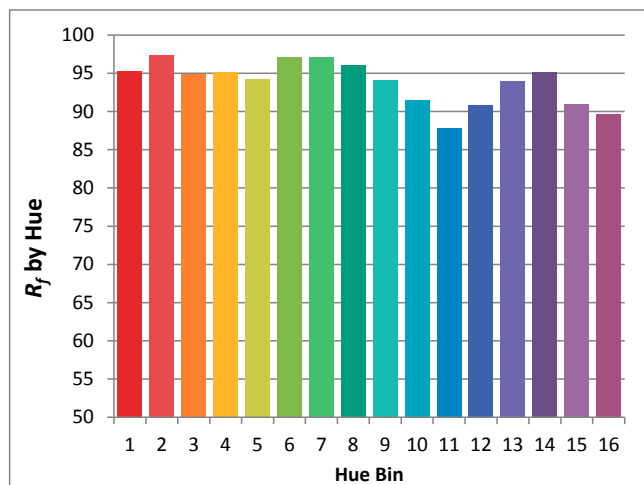
LED TAPE LIGHT

Project Name:

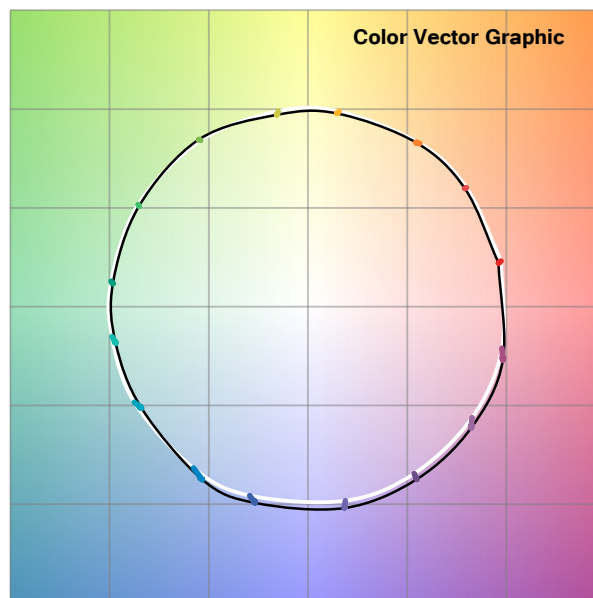
Fixture Type:

■ TM-30 DATA

4000K CCT



Hue Bin	R _f	Graphic shifts (%)	
		Chroma	Hue
1	95	-2%	-1%
2	97	-1%	0%
3	95	-1%	2%
4	95	-1%	1%
5	94	-2%	1%
6	97	1%	1%
7	97	-1%	0%
8	96	-1%	1%
9	94	-1%	4%
10	91	-1%	5%
11	88	2%	7%
12	91	3%	3%
13	94	4%	-1%
14	95	3%	-1%
15	91	2%	-5%
16	90	2%	-6%



Lo Beam Wet

LED TAPE LIGHT

Project Name:

Fixture Type:

- Please refer to chart below for exact lengths of the Lo Beam Wet Tape Light

The wet tape light has a starting cap which make it 0.5 inches longer. That means the actual length of the sleeved tape light includes the 0.5 Inches of the starting cap

Ordered Length		Actual Length of sleeved Tape Light
(Foot-Inches)	(Inches)	(Inches)
0'-3"	3	4.4
0'-7"	7	8.3
0'-11"	11	12.2
1'-3"	15	16.1
1'-7"	19	20
1'-11"	23	23.9
2'-3"	27	27.8
2'-7"	31	31.7
2'-11"	35	35.6
3'-3"	39	39.5
3'-6"	42	43.4
3'-10"	46	47.3
4'-2"	50	51.2
4'-6"	54	55.1
4'-10"	58	59
5'-2"	62	62.9
5'-6"	66	66.8
5'-10"	70	70.7
6'-2"	74	74.6
6'-6"	78	78.5
6'-9"	81	82.4
7'-1"	85	86.3
7'-5"	89	90.2
7'-9"	93	94.1
8'-1"	97	98
8'-5"	101	101.9
8'-9"	105	105.8
9'-1"	109	109.7
9'-5"	113	113.6
9'-9"	117	117.5
10'-0"	120	121.4
10'-4"	124	125.3
10'-8"	128	129.2
11'-0"	132	133.1
11'-4"	136	137
11'-8"	140	140.9
12'-0"	144	144.8
12'-4"	148	148.7
12'-8"	152	152.6
13'-0"	156	156.5
13'-3"	159	160.4
13'-7"	163	164.3
13'-11"	167	168.2
14'-3"	171	172.1
14'-7"	175	176
14'-11"	179	179.9
15'-3"	183	183.8
15'-7"	187	187.7
15'-11"	191	191.6
16'-3"	195	195.5
16'-6"	198	199.4
16'-10"	202	203.3
17'-2"	206	207.2
17'-6"	210	211.1

Ordered Length		Actual Length of sleeved Tape Light
(Foot-Inches)	(Inches)	(Inches)
17'-10"	214	215
18'-2"	218	218.9
18'-6"	222	222.8
18'-10"	226	226.7
19'-2"	230	230.6
19'-6"	234	234.5
19'-9"	237	238.4
20'-1"	241	242.3
20'-5"	245	246.2
20'-9"	249	250.1
21'-1"	253	254
21'-5"	257	257.9
21'-9"	261	261.8
22'-1"	265	265.7
22'-5"	269	269.6
22'-9"	273	273.5
23'-0"	276	277.4
23'-4"	280	281.3
23'-8"	284	285.2
24'-0"	288	289.1
24'-4"	292	293
24'-8"	296	296.9
25'-0"	300	300.8
25'-4"	304	304.7
25'-8"	308	308.6
26'-0"	312	312.5
26'-3"	315	316.4
26'-7"	319	320.3
26'-11"	323	324.2
27'-3"	327	328.1
27'-7"	331	332
27'-11"	335	335.9
28'-3"	339	339.8
28'-7"	343	343.7
28'-11"	347	347.6
29'-3"	351	351.5
29'-6"	354	355.4
29'-10"	358	359.3
30'-2"	362	363.2
30'-6"	366	367.1
30'-10"	370	371
31'-2"	374	374.9
31'-6"	378	378.8
31'-10"	382	382.7
32'-2"	386	386.6
32'-6"	390	390.5
32'-9"	393	394.4
33'-1"	397	398.3
33'-5"	401	402.2
33'-9"	405	406.1
34'-1"	409	410
34'-5"	413	413.9
34'-9"	417	417.8
35'-1"	421	421.7

Ordered Length		Actual Length of sleeved Tape Light
(Foot-Inches)	(Inches)	(Inches)
35'-5"	425	425.6
35'-9"	429	429.5
36'-0"	432	433.4
36'-4"	436	437.3
36'-8"	440	441.2
37'-0"	444	445.1
37'-4"	448	449
37'-8"	452	452.9
38'-0"	456	456.8
38'-4"	460	460.7
38'-8"	464	464.6
39'-0"	468	468.5
39'-3"	471	472.4
39'-7"	475	476.3
39'-11"	479	480.2
40'-3"	483	484.1
40'-7"	487	488
40'-11"	491	491.9
41'-3"	495	495.8
41'-7"	499	499.7
41'-11"	503	503.6
42'-3"	507	507.5
42'-6"	510	511.4
42'-10"	514	515.3
43'-2"	518	519.2
43'-6"	522	523.1
43'-10"	526	527
44'-2"	530	530.9
44'-6"	534	534.8
44'-10"	538	538.7
45'-2"	542	542.6
45'-6"	546	546.5
45'-9"	549	550.4
46'-1"	553	554.3
46'-5"	557	558.2
46'-9"	561	562.1
47'-1"	565	566
47'-5"	569	569.9
47'-9"	573	573.8
48'-1"	577	577.7
48'-5"	581	581.6
48'-9"	585	585.5
49'-0"	588	589.4
49'-4"	592	593.3
49'-8"	596	597.2
50'-0"	600	601.1
50'-4"	604	605
50'-8"	608	608.9
51'-0"	612	612.8
51'-4"	616	616.7
51'-8"	620	620.6
52'-0"	624	624.5
52'-3"	627	628.4
52'-7"	631	632.3