

ZENLITE® NC1 PERIMETER

Instruction Sheet

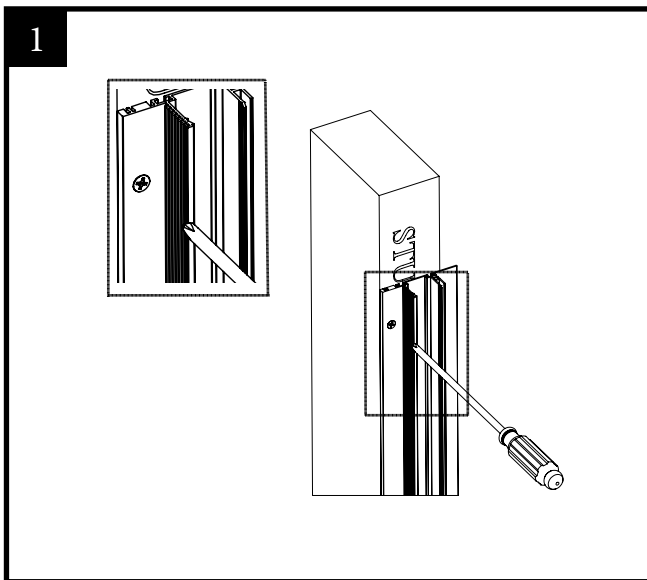
- For your safety, read and understand instructions completely before starting installation

Note: PreciseLED fixtures are designed to meet the latest NEC requirements and are listed in full compliance with UL 1598. Before attempting installation of any lighting fixture, check your local electrical building code. This code sets the wiring standards and installation requirements for your locality and should be understood before starting work. If fixture is to be switch from wall switch or dimmer, make sure black supply wire properly connected to switch or dimmer (follow switch/dimmer instructions).

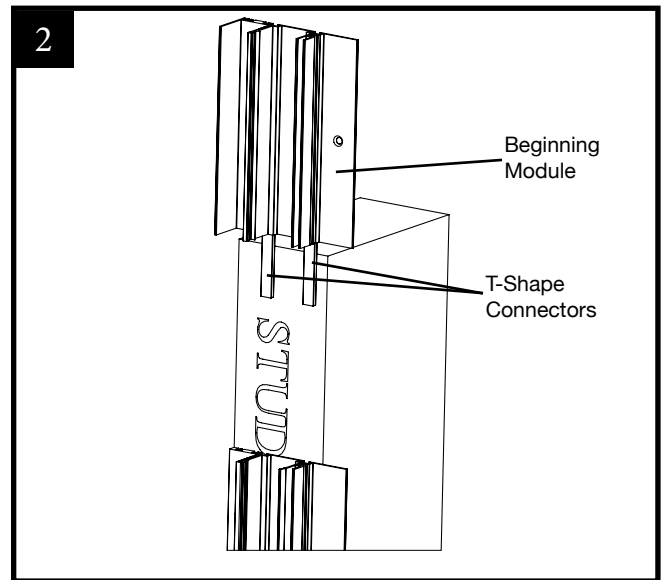
- **WARNING:**

1. Before wiring to power supply, turn off electricity at the fuse or circuit break box.
2. Insulation may be placed in direct contact with ANY part of the fixture.
3. Always have installation performed by a licensed electrician.

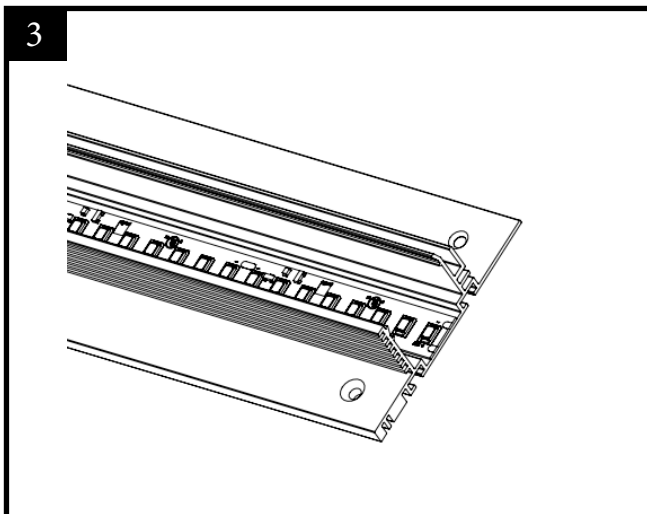
- **FIXTURE INSTALLATION**



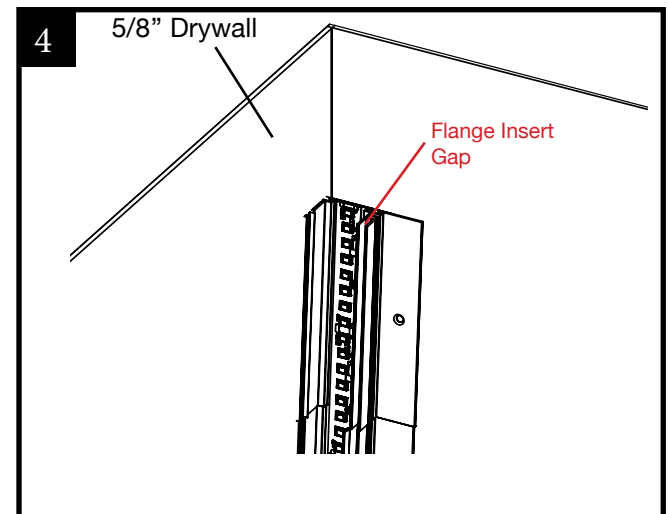
1. Place the ZENLITE® NC1 Perimeter channel on a corner stud aligning its holes with studs and trimming off the excess length at either side. Mount the channel with two M3x16 Flat head counter-sunk screws at each stud.



2. Attach Beginning and end modules(Provided) at each end of the channel by means of T-Shaped connectors(Provided).



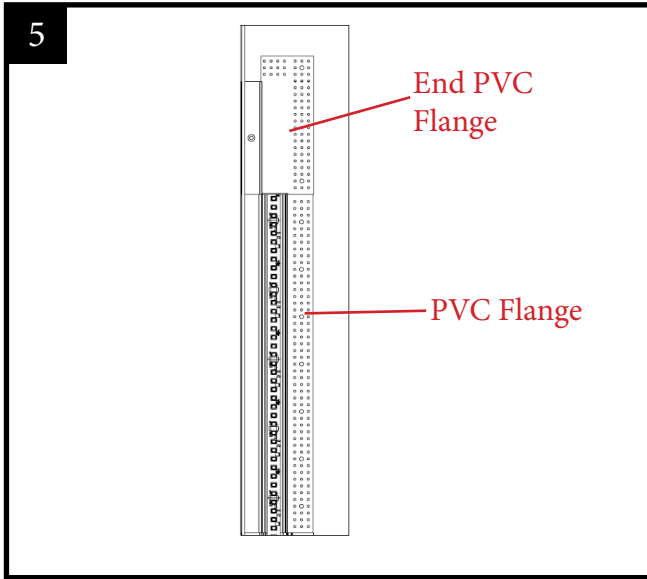
3. Install the tape light in the channel after testing it with the provided standard preciseLED driver and removing its back adhesive covering. Accommodate in the end module the extra tapelight that cannot be trimmed down to the desired length.



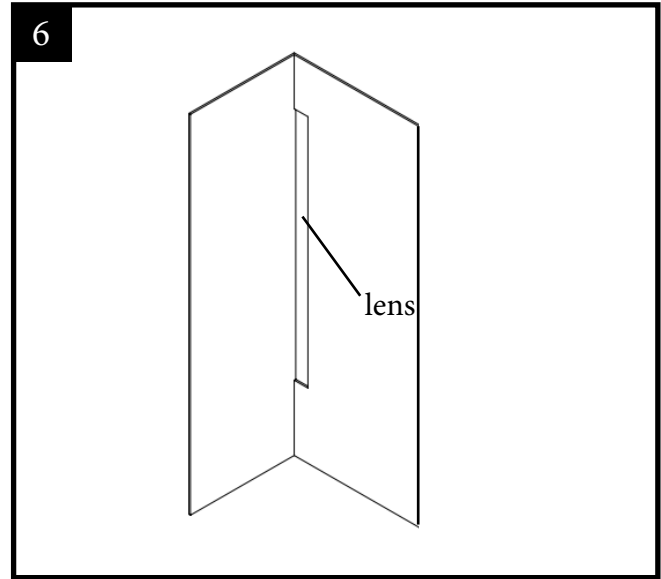
4. Locate the gap on the inner side of the end module and install 5/8" drywall with appropriate screws in aesthetic finish. **Note:** this should be along the side of the channel WITHOUT the flange insert gap.

ZENLITE® NC1 PERIMETER

Instruction Sheet



5. Install the provided PVC flanges into the gap along the remaining open side of the ZENLITE channel and end modules (indicated in red) for smooth edge finish after spackling and plaster. To mount the flange use M3 Flat head countersunk screws flushed with the 5/8" drywall/sheet rock.



6. Once the enclosure is properly secured apply a fine quality plaster to give the final touch to the wall and then install the provided lens in place.