

Installation Instructions

4 1/8" x 4 1/8" CUT OUT

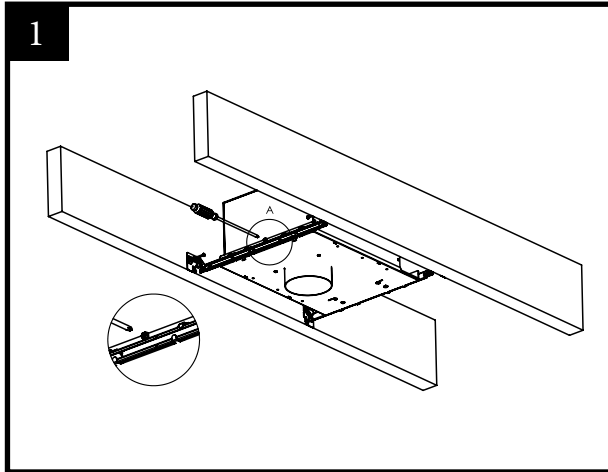
4-1/8" DIA. CUT OUT

WARNING:

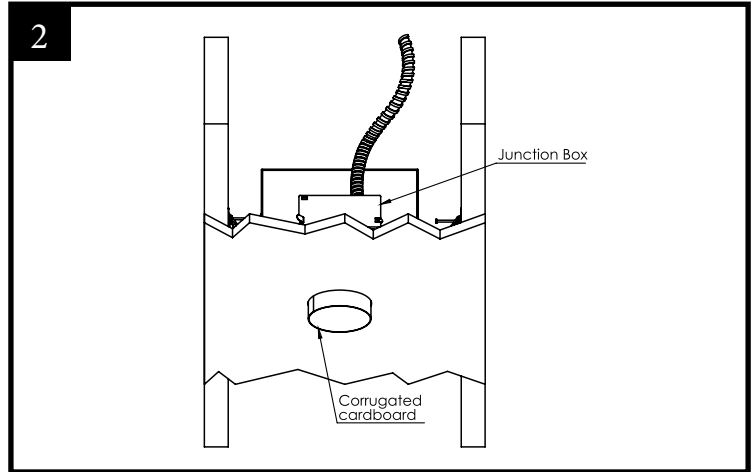
1. Before wiring to power supply, turn off electricity at the fuse or circuit break box.
2. Insulation may be placed in direct contact with ANY part of the fixture.
3. Always have installation performed by a licensed electrician.

Note: PreciseLED recessed fixtures are designed to meet the latest NEC requirements and are listed in full compliance with UL 1598. Before attempting installation of any recessed lighting fixture, check your local electrical building code. This code sets the wiring standards and installation requirements for your locality and should be understood before starting work. If fixture is to be switch from wall switch or dimmer, make sure black supply wire properly connected to switch or dimmer (follow switch/dimmer instructions).

FIXTURE INSTALLATION

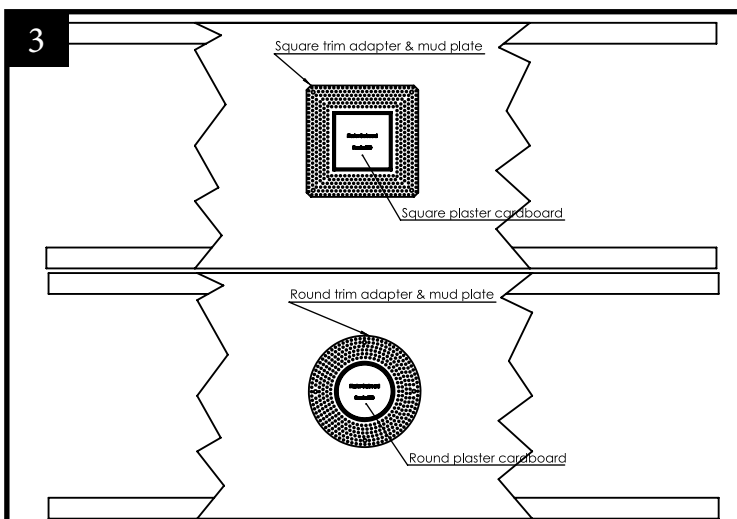


1. Install the housing to the ceiling joists or the drop ceiling T-bars with the adjustable bar hangers. Align the bottom of the end plate with the bottom of the ceiling support structure. Secure the fixture in desired position with locking-screw. (**Note:** bar hanger may be shortened to fit 12" framing or smaller by breaking at score lines.)

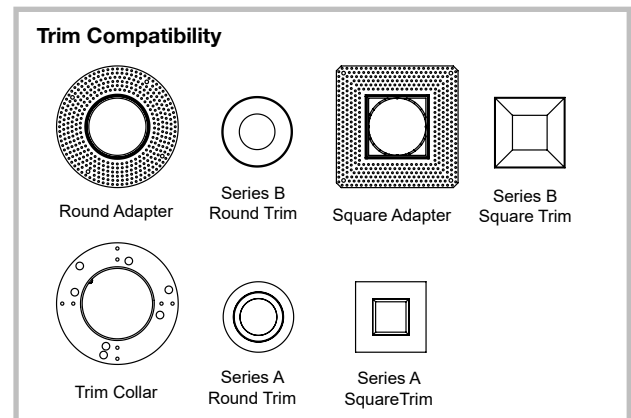


2a. Install the conduit into 1/2" trade size knock-out in the housing electrical box and connect all power line wires to the driver leads in accordance with NEC and local codes (see page 2 for detail wiring diagram).

2b. Install drywall with provided cardboard cutout. Make sure to cut outside of the cardboard for better fitment. Do not remove the cardboard until the drywall cut out is in the correct position and concentric with respect to the fixture opening. **Note:** For drop ceiling installation make cut-out hole the exact size (cut inside marked outline from cutout).



3. Mount the mud plate with trim adapter onto the drywall with provided 3/4" screws (**ONLY** for $\geq 5/8"$ sheetrock). Insert the provided plaster cardboard to prevent mudding inside aperture. Properly plaster onto the mud plate and drywall.

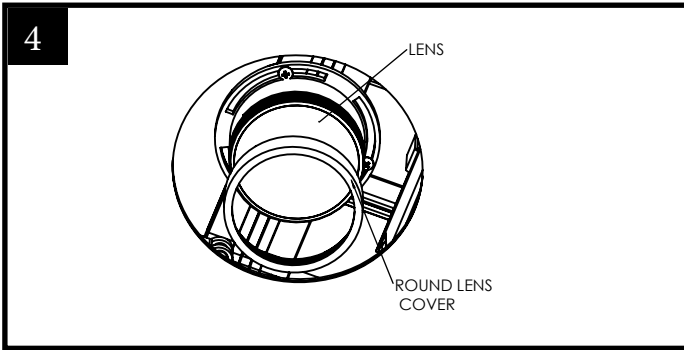


Novation® 3" IC LED Downlight

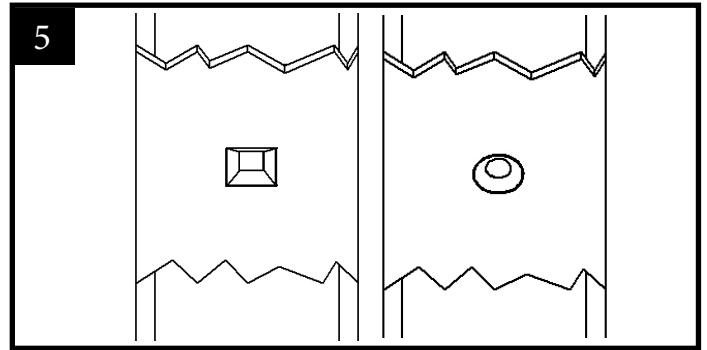
Installation Instructions

+ 4 1/8" x 4 1/8" CUT OUT

+ 4-1/8" DIA. CUT OUT

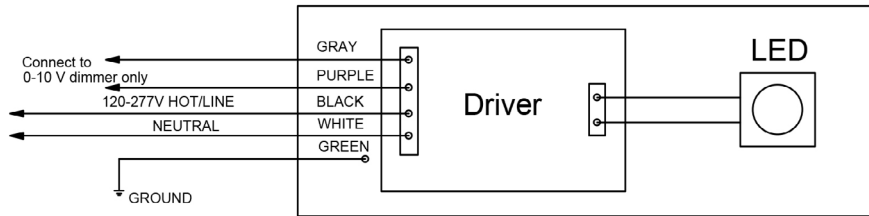


4. The default beam spread lens is 60°, and three additional lenses are available in 45°, 38°, 24°, 15°. Twist the lens cover to swap the lens. Use round lens cover for both round and square trim.



5. Remove the plaster cardbaord. Sand and paint ceiling, then attach the trim to the fixture.

WIRING INSTRUCTIONS



Compatible with 0-10 V/ forward & reverse phase dimming

Note: Cap off purple and gray wires individually if 0-10V dimming is not desired.

FIXTURE COMPONENTS

