

WAVE

Pendant Mount Curved LED Lighting System

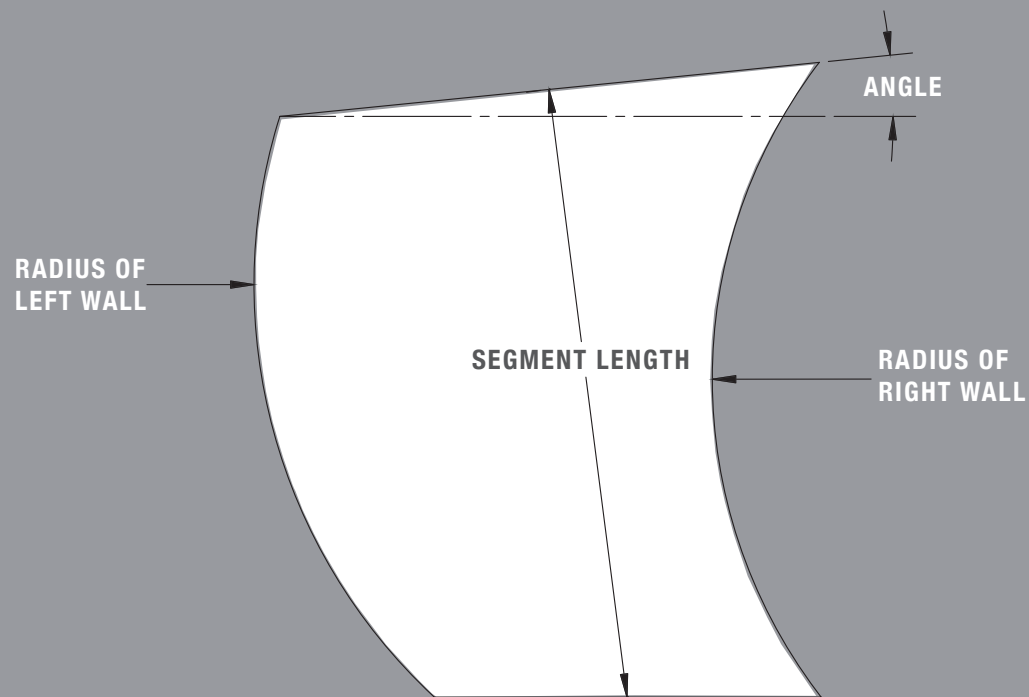
Design Light Without Straight Lines

preciseLED
Precision Through Innovation

Lighting That Follows Your Design.

WAVE is built around a modular three-piece housing that allows designers to create custom lengths, widths, and complex geometries.

Flexible LED panels replace traditional strip lighting, delivering smooth, continuous illumination across curved forms.



Unlimited Curved Geometry.

Each WAVE segment can be configured with custom radii, angles, and segment lengths — enabling fluid lighting compositions that respond to architecture.

Design continuous curves, sweeping arcs, or dynamic sculptural forms.

Flow With the Architecture

Curved illumination designed to follow the rhythm of modern spaces.

WAVE introduces fluid lighting that integrates seamlessly with architectural form. Designed for flexibility and precision, it enables smooth, continuous curves while maintaining reliable lighting performance.

Engineered for Precision

WAVE is built with a modular three-piece housing system, combining structural flexibility with clean architectural lines. Unlike traditional strip lighting, flexible LED panels deliver smooth, continuous illumination across every curve.

Flexible LED panels eliminate spotting and uneven brightness, ensuring a seamless line of light across complex geometries.

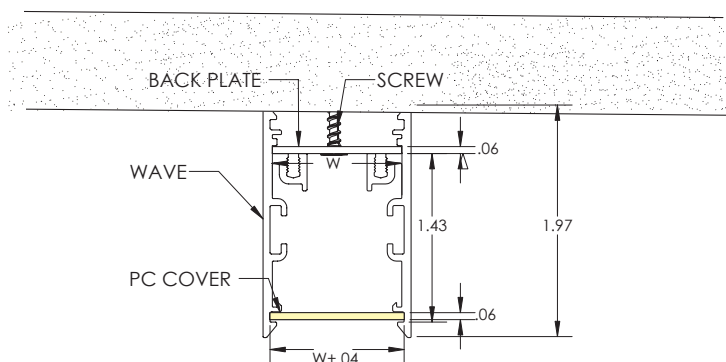
Available with diffused or louver optics to balance visual comfort and performance.

Designed for Any Space

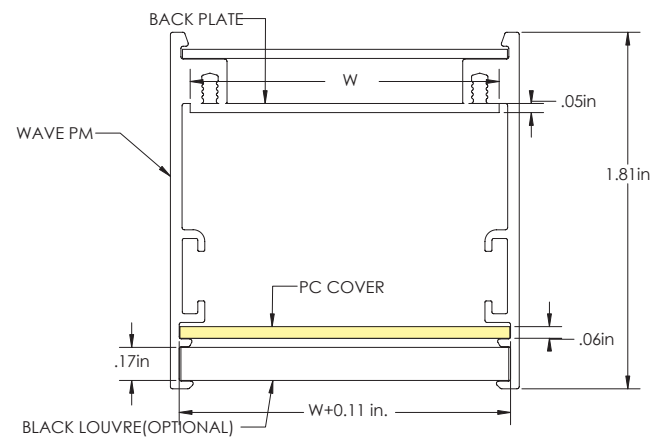
Available in surface and pendant configurations, WAVE adapts to a wide range of architectural applications with flexible mounting and suspension options.

Compatible with multiple driver systems, including 0–10V and Lutron controls, enabling seamless integration into any lighting system.

Built for long-term reliability, WAVE delivers high color accuracy and consistent performance across commercial environments.



SURFACE MOUNT



PENDANT MOUNT

Specifications

24V system

≥95 CRI

2700K – 4000K

Diffused or louver optics

Multiple driver options

Customizable fixture geometry

preciseLED
Precision Through Innovation