

# RGB CONTROLLER

## RGB WIRELESS Control

Project Name:

Fixture Type:

### ■ WIRELESS CONTROLLER

- Input Voltage: 5VDC - 24VDC
- Max current load: 5A X 4CH Max. 20A
- Max output power: 480W
- Working temperature: -30°C- 55°C
- Dimensions: 6.89"L X 1.73"W X 1.18"H
- 5 Year Warranty

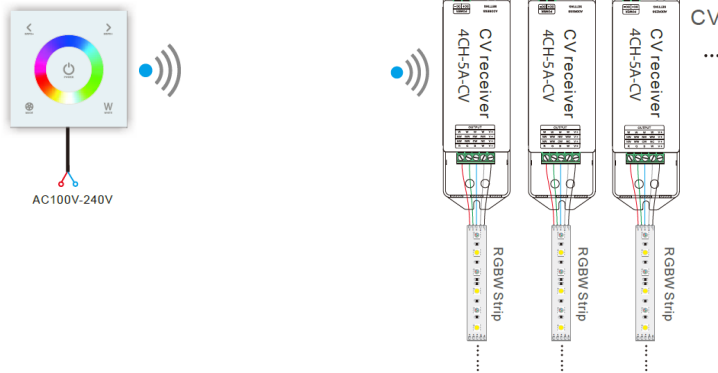
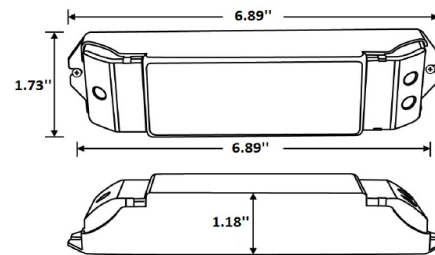


### ■ ORDERING CODE RGB-CTRL

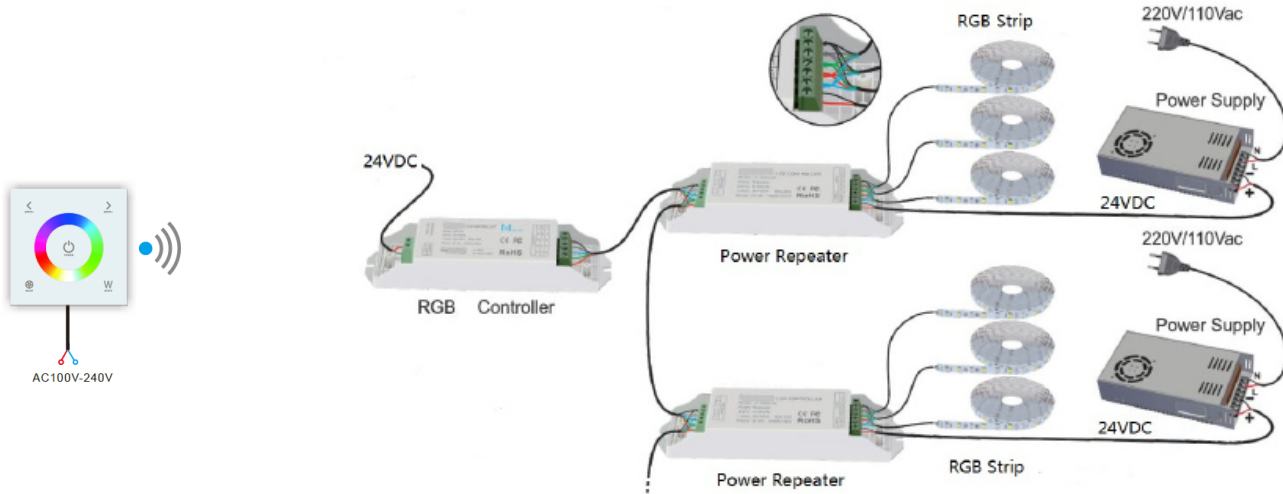
### ■ DIMENSIONS

### ■ WIRING DIAGRAM

Wiring diagram for one controller for each RGB tape light:



Wiring diagram for one controller with power repeater & multiple RGB tape lights:



# RGB CONTROLLER

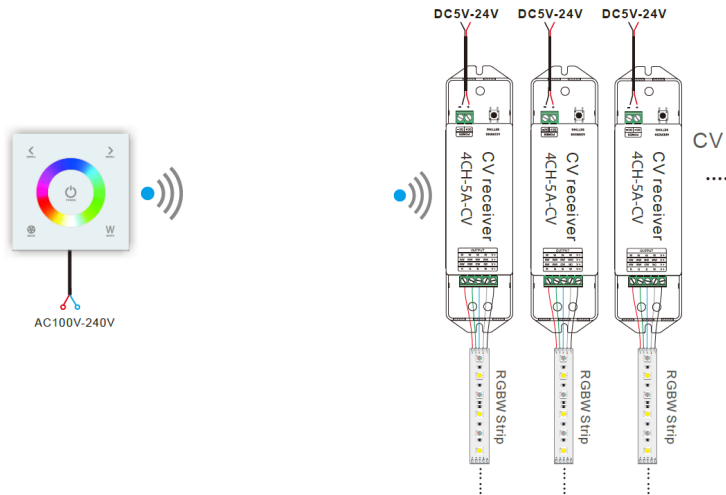
## RGB WIRELESS Control

Project Name:

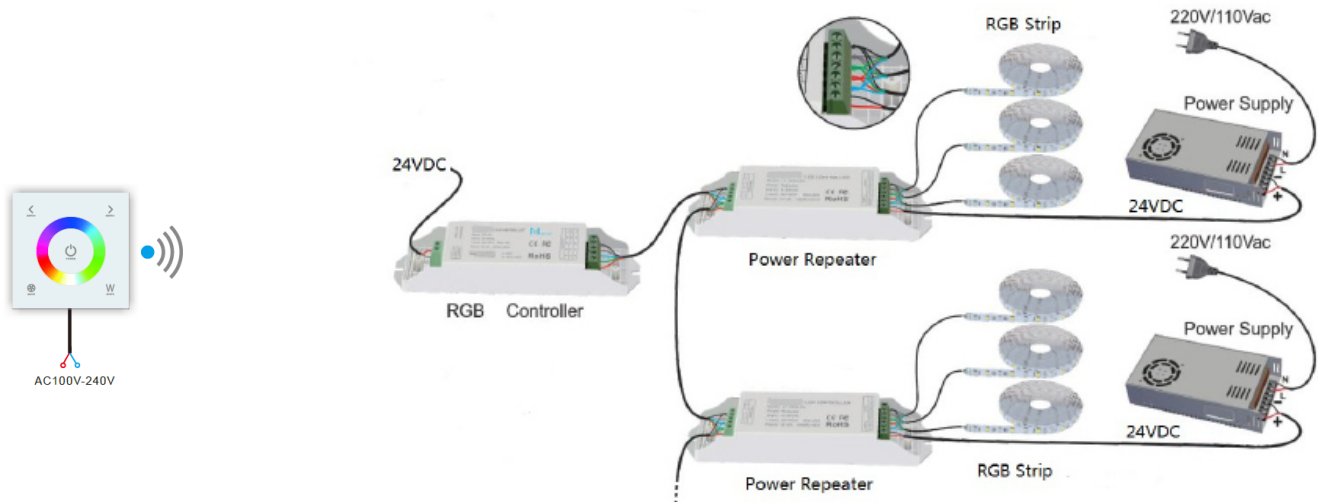
Fixture Type:

### ■ WIRING DIAGRAM

Wiring diagram for one controller for each RGB tape light:



Wiring diagram for one controller with power repeater & multiple RGB tape lights:



# RGB CONTROLLER

## RGB WIRELESS Control

Project Name:

Fixture Type:

### ■ MATCH CODE

Match code with V series remote, DX series touch panel, UX series touch panel WiFi-104 gateway.

1. Short press "ID learning button" on driver, the lamps changed from flicker to keep on, please complete next step within 10s.

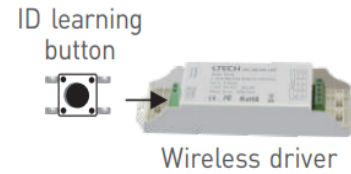
2. Match up with V series remote: Press any key (single zone remote) or zone key (multi-zone remote).

Match up with DX series panel: Press any key (single zone panel) or zone key (multi-zone panel).

Match up with UX series panel: Press any key (single zone panel) or zone key (multi-zone panel).

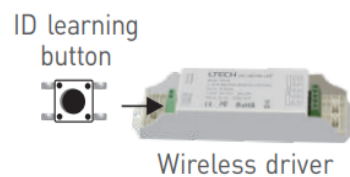
Match up with 104 gateway: Select zone number on App, then touch the color slide for 2-3 seconds.

3. If the lamp flicker several times, match successfully.



### ■ CLEAR CODE

Long press "ID learning button" on driver for 5 seconds, If the lamps flicker several times, deactivate the matching successfully.



# RGB CONTROLLER

RGB WIRELESS Control

Project Name:

Fixture Type:

## ■ WIRING DIAGRAM

