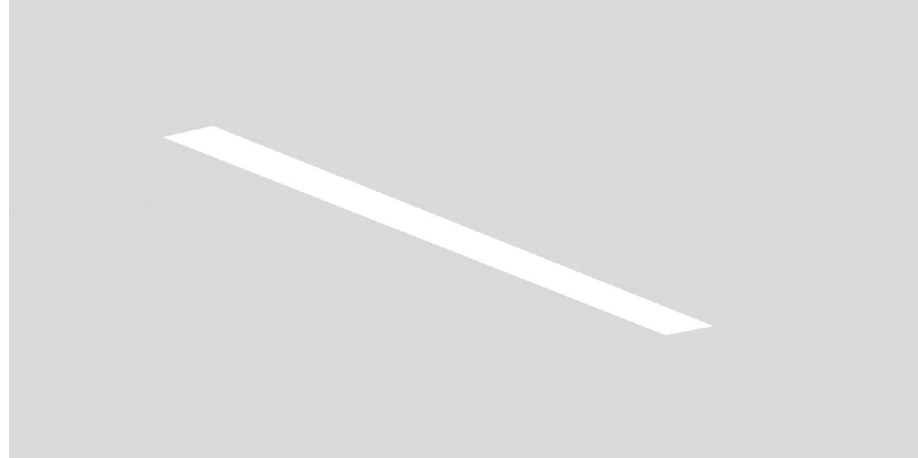


3" Linear LED luminaire- Drywall Recessed

DESCRIPTION

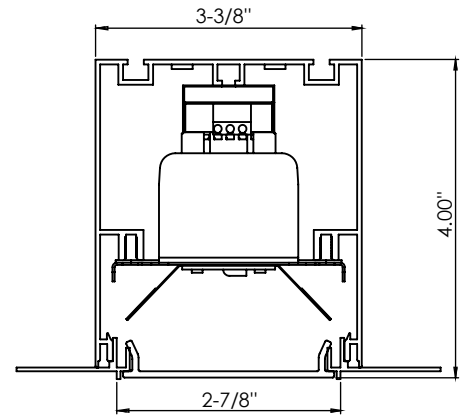
The STUD™ is our most popular linear fixture. It is also the most flexible, allowing you to choose between recessed, surface or pendant mounted options with same extrusion. With the ability to connect one STUD™ to another, there's not much you can't do with this fixture.



Project Name:

Fixture Type:

DIMENSIONS



SAMPLE LUMEN ADJUSTMENT CALCULATION

HLW 9.38W/ft, 3000K, 90CRI

Lumen Adjustment Multiplier = 0.728

Light Output lm/ft = 896 lm/ft x 0.728 = 652 lm/ft

Efficacy = 896lm/ft / 9.38W/ft = 70 lm/W

LUMEN PERFORMANCE

Input Watts	Nominal Delivered Lumen Output	Efficacy
LLW 5W/ft	497 lm/ft	99 lm/W
SLW 7.5W/ft	735 lm/ft	98 lm/W
HLW 9.38W/ft	896 lm/ft	96 lm/W

Performance based on 80 CRI, 4000K

CCT	80CRI Lumen Output Multiplier	90 CRI Lumen Output Multiplier	95 CRI Lumen Output Multiplier
2700K	0.906	/	0.651
3000K	0.925	0.728	0.691
3500K	0.964	0.743	0.711
4000K	1	0.756	0.748

ORDERING CODE

Example: STUD3-2-SLW-DM-27K-WH-STD-90C-ST-EM

Product	Length	Watts	Mounting Type	Color Temp	Finish
STUD3 3" Linear STUD	2 2 feet	SLW Standard- 7.5W/ft	DM Drywall Recessed	27K 2700K	WH Matte White Custom Power Coating (Consult factory for colors)
	4 4 feet	LLW Low- 5W/ft		30K 3000K	
	8 8 feet	HLW High- 9.38W/ft		35K 3500K	
	System Run* length with any inch increment	CLW W/ft (Custom watts/ft with max. 9.38W/ft, Consult factory for details)		40K 4000K	
	Custom length with any inch increment (18 inch minimum length)				

Optics	CRI	Driver	Optional	IC Control (Optional)
STD Standard lens DRP Drop lens	80C 80CRI 90C 90CRI 95C 95CRI Default CRI: 90C	ST Standard LES Lutron 1% Eco System with Soft-on, Fade-to- Black	EM Emergency Driver 6WH120 6 feet control whips-120V 6WH277 6 feet control whips-277V	DS Daylight sensor OS Occupancy sensor DOS Daylight & occupancy sensor

3" Linear LED luminaire- Drywall Recessed

Project Name:

Fixture Type:

■ SPECIFICATIONS

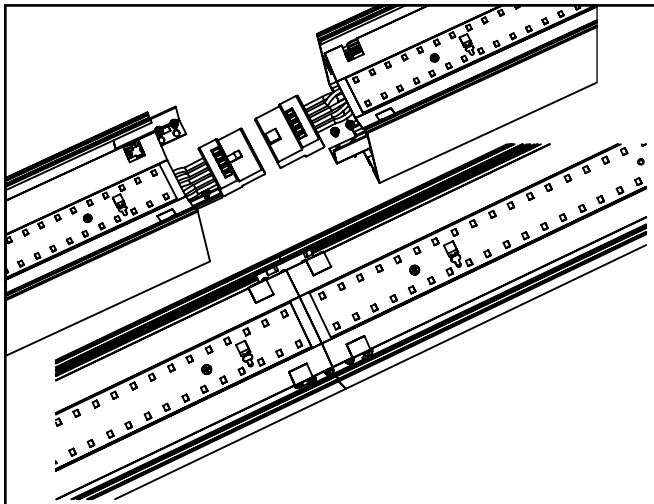
- WATTS: 5 W/ft, 7.5 W/ft, 9.38 W/ft
- COLOR TEMPERATURE: 2700K, 3000K, 3500K, 4000K, RGBW
- LUMENS OUTPUT: 3 lumens output options STANDARD, LOW, HIGH as well as custom lumens output are available
- CRI: Minimum 90 color rendering index with an option of 95 CRI
- COLOR consistency: 3-step binning LEDs
- LIFE: > 50,000 hours at 70% lumen maintenance (L70)
- DRIVER: Standard: 120V/277V Constant current fully dimmable driver using 0-10V (down to 1%), dimming source current 150 μA
Lutron: Hi-lume EcoSystem with Soft-on, Fade-to-Black LED Driver, dim down to 1% and fade smoothly between 0%-1% is fully accessible from below the ceiling.
- EMERGENCY: Optional remote emergency driver
- APPROVALS: UL/C-UL listed-E493134
Suitable for damp location
IC rated for recessed mount insulated ceiling
- WARRANTY: 5 Year Limited Warranty
- WEIGHT: surface/pendant fixture 1.55 lbs/ft
recessed fixture 1.95 lbs/ft



- HOUSING: Precision-cut extruded aluminum housing.
- END CAPS: Die-formed steel end caps add 1/8" to each end of fixture.
- SPACKLE FLANGE: Extruded aluminum (0.0475" nominal).
- REFLECTORS: Die-formed steel reflectors with high reflectance glossy white powder coat finish, 60 degree beam spread.
- OPTICS: Frosted snap-in spotless lens.
- FINISH: Standard power-coated matte white. Consult factory for custom power coating finish.
- QUICK CONNECTOR: Push-in quick connectors allow fixtures to be joined together for a long run with only one input power wiring.
- FEED: Standard 18-gauge/5 conductor single circuit feed.
Optional 6' 120V/277V flex conduit whips available .
- FIXTURE LENGTH:
Individual Run: Nominal length of 2ft (23.75"), 4ft(47.75"), 8ft (94.75") as well as custom length are available down to inch increment with 18" minimum length.
*System Run: A seamless connection system of continuous runs. Runs of STUD3 that are longer than 8' in length are designated as System Run. 90-degree mitered corner are available for inside/outside and zig-zag corners.

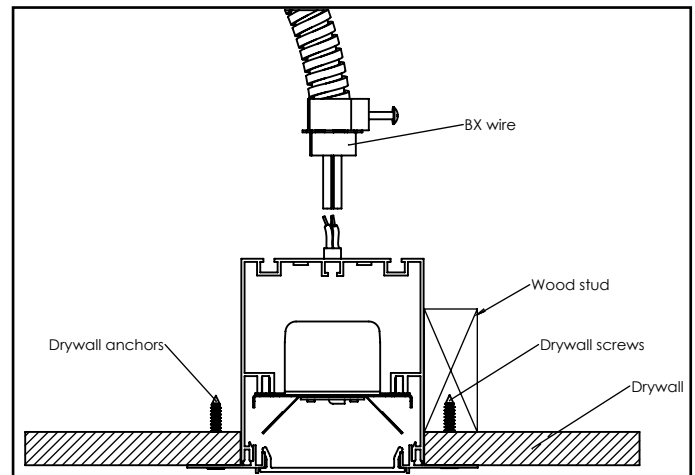
■ SYSTEM RUN

Quick-wire connection system allows STUD3 to be joined together with only one line power input to the continuous system runs. The STUD3 unit with line power input is connected to next unit with quick-wire connectors.



NOTE: Mount each system segment individually prior to joining them together

■ MOUNTING



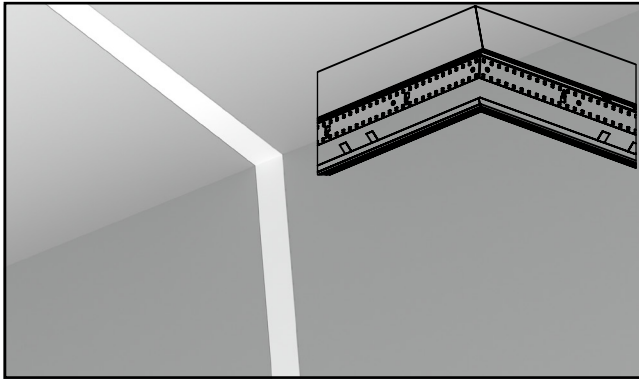
3" Linear LED luminaire- Drywall Recessed

Project Name:

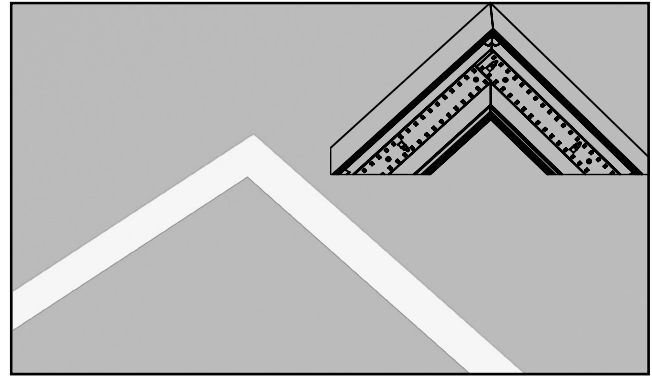
Fixture Type:

■ CORNER RUN

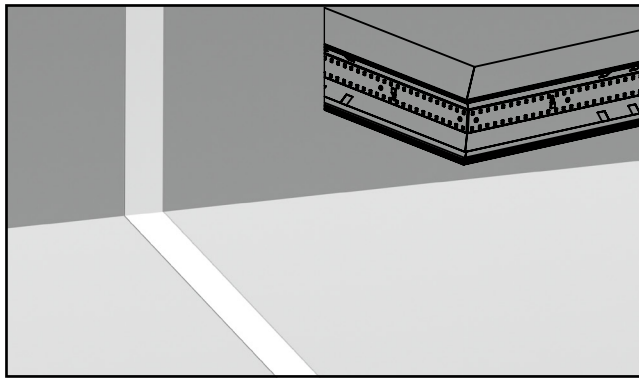
STUD3 features a multitude of corner connections. Inside corner, outside corner, zigzag corner are available for ceiling to wall, wall to ceiling, ceiling to ceiling applications.



Inside Corner



ZigZag Corner



Outside Corner

■ DIMMER COMPATIBILITY

Standard Driver ST					
Dimmer Manufacturer	Product	Part Number	Dimming Range	Qty Fixture Per Control	Dimming Type
120V/277V					
Lutron	Diva	DVSTV/ DVSCSTV	100%-1%	1-14	0-10 V
Lutron	Nova T	NTSTV-DV	100%-1%	1-14	0-10 V
Lutron	Nova	NFTV*	100%-1%	1-14	0-10 V

* NFTV "DIMMING ONLY" or "USE WITH PowerPack for Dimming+on/off"

3" Linear LED luminaire- Drywall Recessed

Project Name:

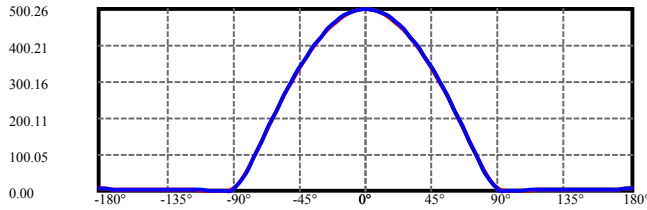
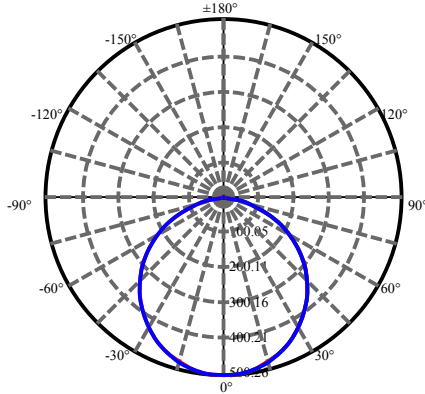
Fixture Type:

PHOTOMETRIC DATA

Luminaire: STUD3 4 feet
Watts: 20W (5W/ft)
Total delivered lumens: 1445 lm (362 lm/ft)
CCT: 3000K
CRI: 90C

IES FILE: STUD3-4-20W-SM-WH-30K-STD-90C-ST

Luminous Intensity Distribution Diagram



C0(Max): —
C0/C180: —
C90/C270: —
Field angle(10%Imax):C0/180Left:80.7 Right:80.7
:C90/270Left:80.5 Right:80.5
Beam Angle(50%Imax):C0/180Left:56.3 Right:56.3
:C90/270Left:56.4 Right:56.4

ZONAL LUMEN SUMMARY

ZONE	LUMENS	% LUMINAIRE
0-30	387.7	26.8%
0-40	635.2	43.9%
0-60	1,125.6	77.9%
60-90	305.3	21.1%
70-100	129.28	.9%
90-120	4.40	.3%
0-90	1,430.9	99%
90-180	14.61	%
0-180	1,445.6	100%

FLOOD SUMMARY

	EFFICIENCY	LUMENS	HORIZONTAL SPREAD	VERTICAL SPREAD
FIELD (10%):	97.3%	1,406.8	161.4	161.1
BEAM (50%):	72.2%	1,044.2	112.6	112.9
TOTAL:	99%	1,431.0		

ILLUMINANCE AT A DISTANCE

HEIGHT(FT)	CENTER BEAM FOOTCANDLE	BEAM SPREAD(FT)		FIELD SPREAD(FT)	
		HORIZONTAL	VERTICAL	HORIZONTAL	VERTICAL
4.00	31.27 FC	12.0	12.14	8.94	8.1
8.00	7.82 FC	24.0	24.1	97.7	96.1
12.00	3.47 FC	36.0	36.21	46.61	44.2
16.00	1.95 FC	48.04	8.2	195.4	192.3
20.00	1.25 FC	60.0	60.32	44.3	240.3
		BEAM ANGLE		FIELD ANGLE	
		112.6°	112.9°	161.4°	161.1°

3" Linear LED luminaire- Drywall Recessed

Project Name:

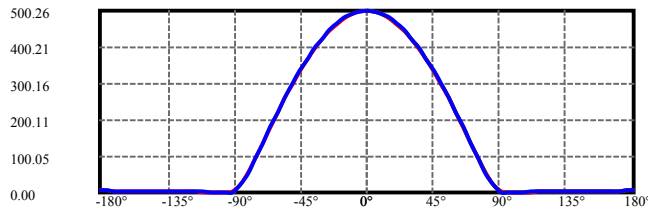
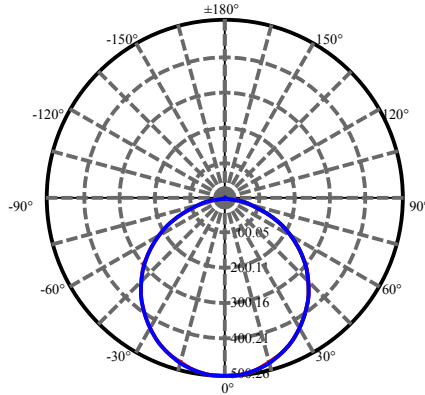
Fixture Type:

PHOTOMETRIC DATA

Luminaire: STUD3 4 feet
Watts: 30W (7.5W/ft)
Total delivered lumens: 2140 lm (535 lm/ft)
CCT: 3000K
CRI: 90C

IES FILE: STUD3-4-30W-SM-WH-30K-STD-90C-ST

Luminous Intensity Distribution Diagram



C0(Max): —
C0/C180: —
C90/C270: —
Field angle(10%Imax):C0/180Left:80.7 Right:80.7
:C90/270Left:80.5 Right:80.5
Beam Angle(50%Imax):C0/180Left:56.3 Right:56.3
:C90/270Left:56.4 Right:56.4

ZONAL LUMEN SUMMARY

ZONE	LUMENS	% LUMINAIRE
0-30	573.9	26.8%
0-40	940.3	43.9%
0-60	1,665.9	77.9%
60-90	452.0	21.1%
70-100	191.48	.9%
90-120	6.70	.3%
0-90	2,117.8	99%
90-180	22.01	%
0-180	2,139.8	100%

FLOOD SUMMARY

	EFFICIENCY	LUMENS	HORIZONTAL SPREAD	VERTICAL SPREAD
FIELD (10%):	97.3%	2,082.2	161.7	161.5
BEAM (50%):	72.2%	1,545.1	112.5	112.8
TOTAL:	99%	2,117.9		

ILLUMINANCE AT A DISTANCE

HEIGHT(FT)	CENTER BEAM		BEAM SPREAD(FT)		FIELD SPREAD(FT)	
	F	FOOTCANDLE	HORIZONTAL	VERTICAL	HORIZONTAL	VERTICAL
4.00		46.29 FC	12.0	12.0	49.7	49.1
8.00		11.57 FC	24.0	24.1	99.3	98.2
12.00		5.14 FC	35.9	36.1	149.0	147.4
16.00		2.89 FC	47.9	48.2	198.7	196.5
20.00		1.85 FC	59.9	60.2	248.3	245.6
			BEAM ANGLE		FIELD ANGLE	
			112.5°	112.8°	161.7°	161.5°

3" Linear LED luminaire- Drywall Recessed

Project Name:

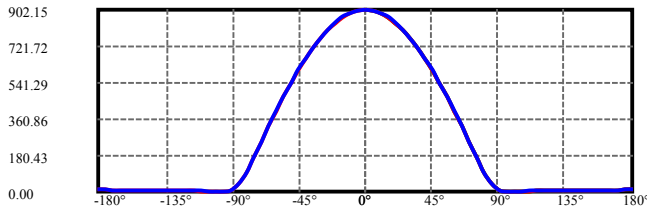
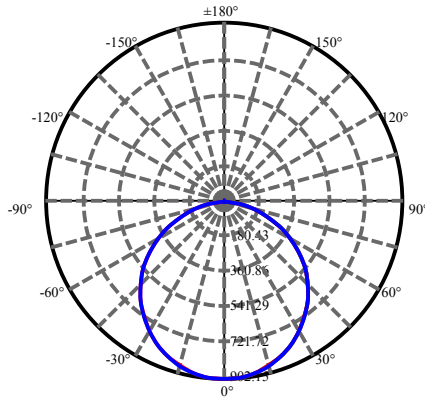
Fixture Type:

PHOTOMETRIC DATA

Luminaire: STUD3 4 feet
 Watts: 37.5W (9.38 W/ft)
 Total delivered lumens: 2607lm (652 lm/ft)
 CCT: 3000K
 CRI: 90C

IES FILE: STUD3-4-37.5W-SM-WH-30K-STD-90C-ST

Luminous Intensity Distribution Diagram



C0(Max): —
 C0/C180: —
 C90/C270: —
 Field angle(10%Imax):C0/180Left:80.6 Right:80.6
 :C90/270Left:80.6 Right:80.6
 Beam Angle(50%Imax):C0/180Left:56.4 Right:56.4
 :C90/270Left:56.4 Right:56.4

FLOOD SUMMARY

	EFFICIENCY	LUMENS	HORIZONTAL SPREAD	VERTICAL SPREAD
FIELD (10%):	97.3%	2,535.6	161.3	161.1
BEAM (50%):	72.3%	1,884.3	112.7	112.9
TOTAL:	99%	2,579.5		

ILLUMINANCE AT A DISTANCE

HEIGHT(FT)	CENTER BEAM		BEAM SPREAD(FT)		FIELD SPREAD(FT)	
	FOOTCANDLE	FC	HORIZONTAL	VERTICAL	HORIZONTAL	VERTICAL
4.00	56.38	FC	12.0	12.1	48.6	48.1
8.00	14.10	FC	24.1	24.1	97.2	96.1
12.00	6.26	FC	36.1	36.2	145.8	144.2
16.00	3.52	FC	48.1	48.2	194.3	192.3
20.00	2.26	FC	60.1	60.3	242.9	240.3
		BEAM ANGLE		FIELD ANGLE		
		112.7°		112.9°		161.3° 161.1°

ZONAL LUMEN SUMMARY

ZONE	LUMENS	% LUMINAIRE
0-30	699.2	26.8%
0-40	1,145.5	44%
0-60	2,030.1	77.9%
60-90	549.3	21.1%
70-100	231.88	.9%
90-120	8.20	.3%
0-90	2,579.4	99%
90-180	26.91	%
0-180	2,606.3	100%