

## Recessed Drywall Mount Installation Instructions

### ■ For your safety, read and understand instructions completely before starting

Note: PreciseLED recessed fixtures are designed to meet the latest NEC requirements and are listed in full compliance with UL 1598. Before attempting installation of any recessed lighting fixture, check your local electrical building code. This code sets the wiring standards and installation requirements for your locality and should be understood before starting work. If fixture is to be switch from wall switch or dimmer, make sure black supply wire properly connected to switch or dimmer (follow switch/dimmer instructions).

### ■ WARNING:

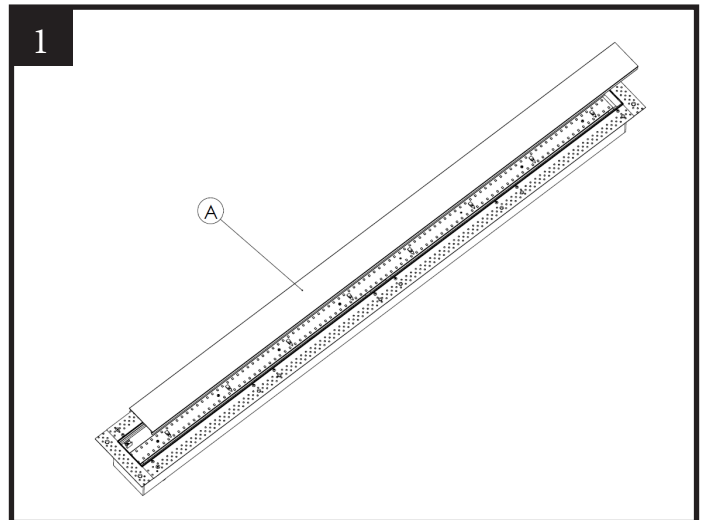
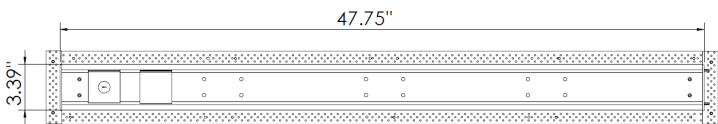
1. Before wiring to power supply, turn off electricity at the fuse or circuit break box.
2. Insulation may be placed in direct contact with ANY part of the fixture.
3. Always have installation performed by a licensed electrician.

### ■ FIXTURE INSTALLATION

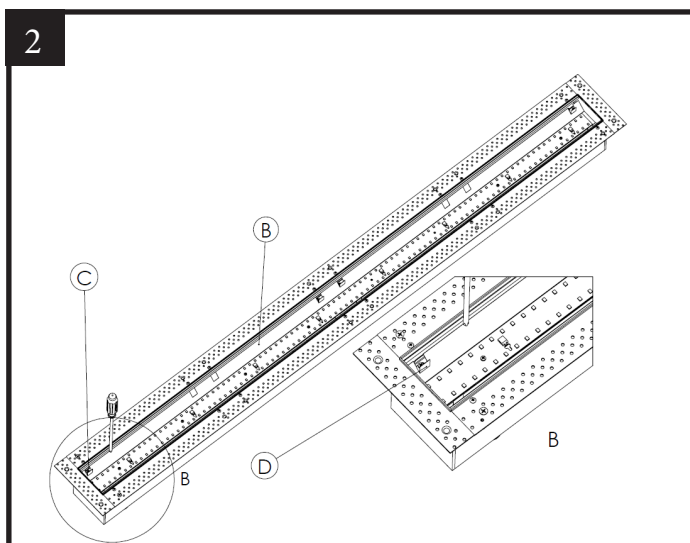
#### PART LIST

A Optics	G Wire nuts (By others)
B LED module	H BX connector nut
C LED module screws	I drywall anchor/ 1/4-20 screws (by others)
D Screw tab	J Spackle flange
E BX cable (by others)	K Plaster and paint
F BX knockout plate	

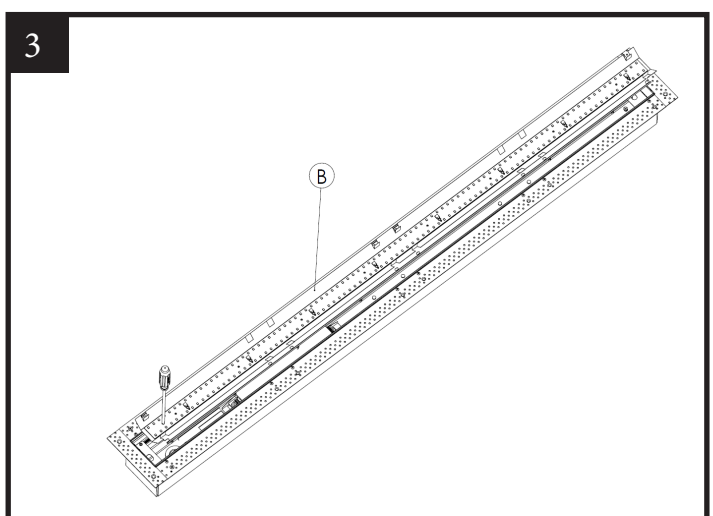
#### Drywall Opening Dimensions



1. Ensure the power to the fixture's circuit is turned off. Remove optics (A) by the provided tool.

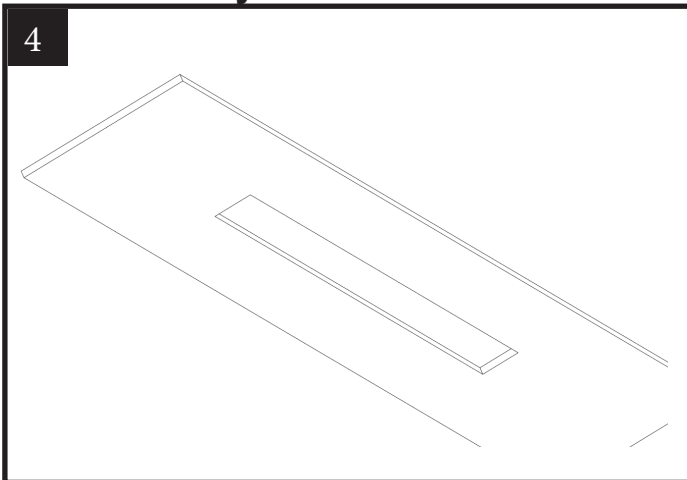


2. Open the screw tabs (D) (DO NOT remove the tabs) on the LED module, and uncrew the screws (C)

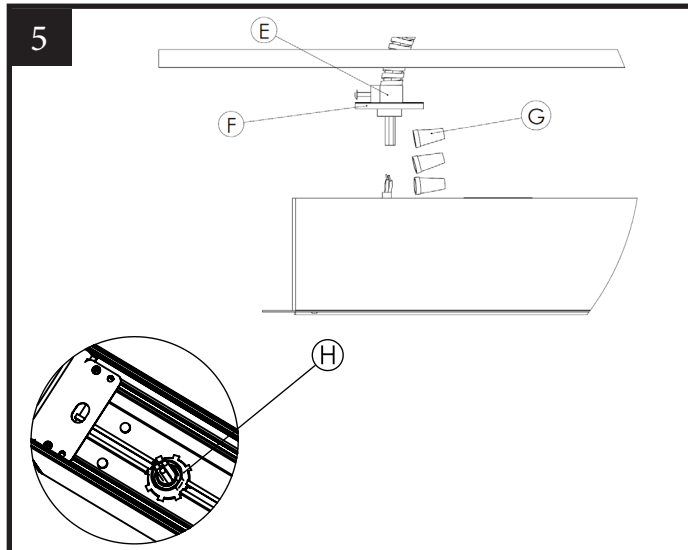


3. Disconnect the LED module wires and remove the LED module (B) to get access to the wires.

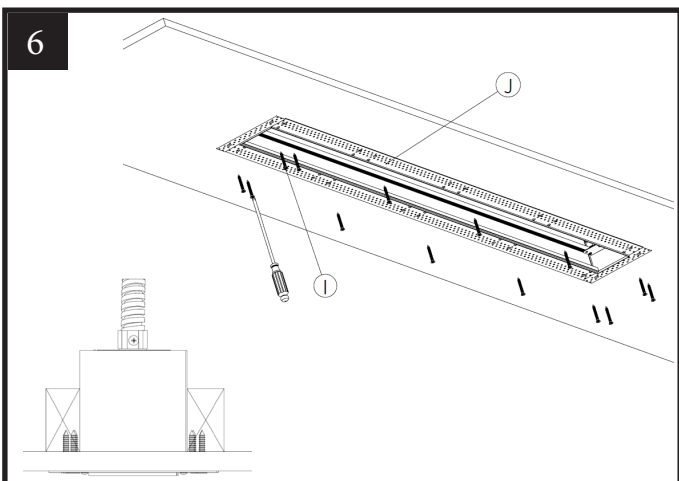
**Recessed Drywall Mount Installation Instructions**



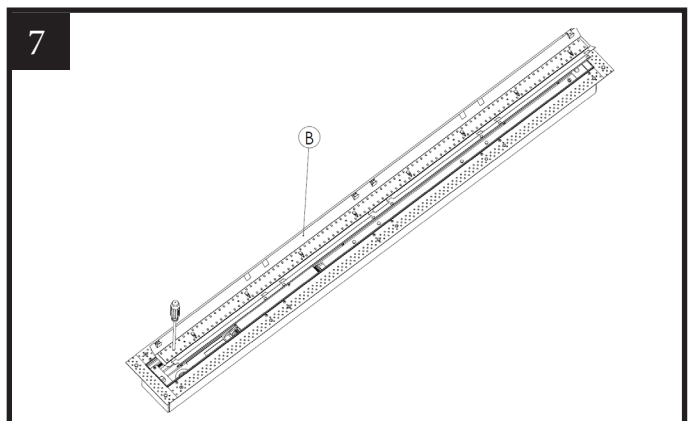
4. Locate the fixture mounting position and junction box in the ceiling. Cut the ceiling opening using jab saw. Ceiling opening dimension is shown on the dimension drawing.



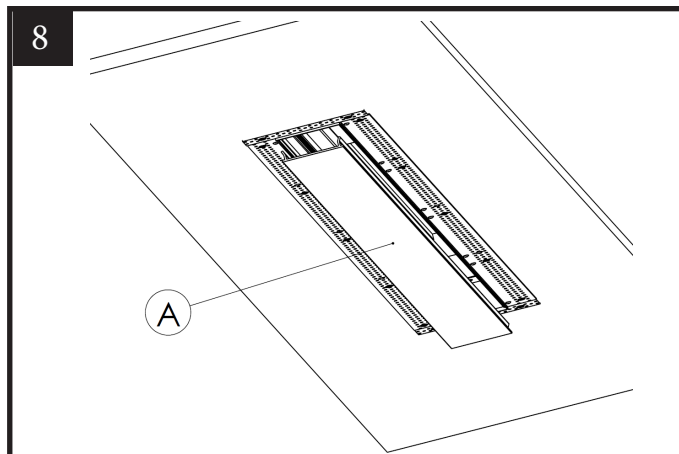
5. Insert the BX cable (E) connector to the BX knockout plate (F). Connect BX cable (E) wires with the wires from fixture by wire nuts (G). Ensure the BX connector nut (H) stays in the slot. Push connected wires into fixture and fasten the BX connector to fixture.



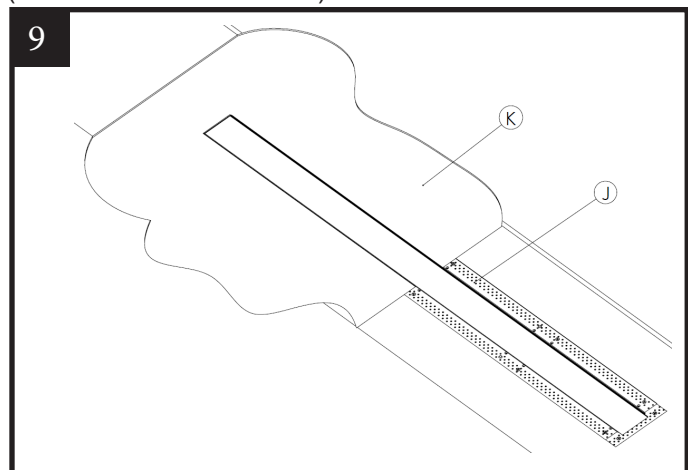
6. Align fixture to drywall opening. Fasten fixture to drywall by drywall screws (I) through the spackle flange. Wood block or drywall anchors must be used as reinforcement.



7. Re-install the LED module (B) and LED module screws. Push back the screw tabs to original position (DO NOT remove the tabs).



8. Re-install optics (A).



9. Plaster and sand over the spackle flange (J) and screws to create a flangless finish. Turn on the power safely. 2