

DESCRIPTION

Stairview™ is setting the standard for reliable, functional lighting for stairways and back-of-house areas. With efficacy of 100-140 lm/W, it is one of the most efficient light sources available today. Available with sensor and emergency backup options.

SPECIFICATIONS

- Housing: Steel, commercial quality paint coating.
- Optic: PC Precision formed optical lens with options of clear lens and diffused lens.
- LED Chip: 2835 approved LM-80 SMD packing, color consistency over time.
- Input: 120-277 VAC 50/60Hz 0.3Amax
- Power Factor: >0.90
- Delivered Light Output:
 - STVW-4-25W-30K 2950Lm STVW-4-25W-40K 3250Lm*
 - STVW-4-40W-30K 3990Lm STVW-4-40W-40K 4400Lm
- Efficacy: 100-140 lm/W
- CRI: Ra>80
- Color Temperature: 3000K/4000K
- Driver Output: 26-42 VDC 0.60A (Constant Current)
- Dimensions: 46.38" L x 4.76" W x 3.61" H
- Protection Rating: IP20
- Function Optional: Motion Sensor, Emergency Pack
- LED life: 50,000h in 25°C ambient temperature
- Warranty: 5 Year
- Approvals: UL Listed  Suitable for damp locations

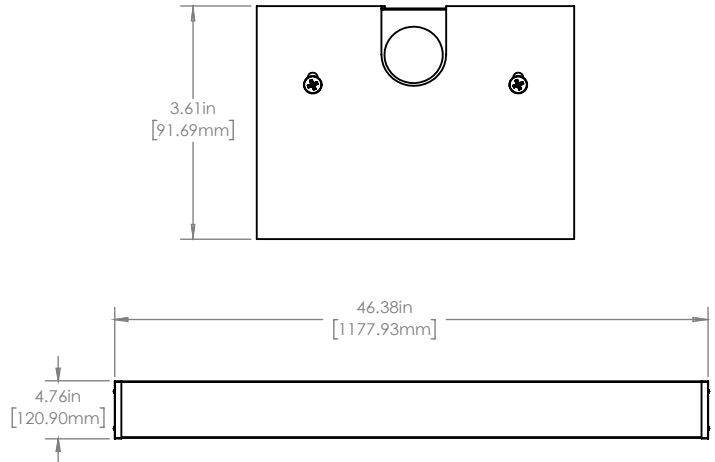
*Approximated values

Project Name:

Fixture Type:



DIMENSIONS



ORDERING CODE

Example: STVW-4-25W-30K-2G-SM-CL

Product	Dimensions- Watts	Color Temp	Version	Additional Options	Lens
STVW	<input type="checkbox"/> 4-25W -Default 4 ft, 25W <input type="checkbox"/> 4-40W (Special Order) 4ft, 40	<input type="checkbox"/> 30K 3000K <input type="checkbox"/> 40K 4000K	2G 2nd Generation	<input type="checkbox"/> No Option <input type="checkbox"/> SN Motion Sensor <input type="checkbox"/> EM Emergency Pack <input type="checkbox"/> SN-EM Motion Sensor &Emergency Pack	<input type="checkbox"/> CL Clear Lens <input type="checkbox"/> DS Diffused Lens

Model	Default	Sensor Activated	EM backup Activated
No Option	Mode A		
SN	Mode B	Mode A	
SN-EM	Mode B	Mode A	Mode C



Mode A
100 % Brightness



Mode B
20% Brightness



Mode C
15 % Brightness

Project Name:

Fixture Type:

■ REMOTE CONTROLLER(Optional & Order Separately)

	<input type="button" value="ON"/> <input type="button" value="OFF"/> <input type="button" value="AUTO"/> <input type="button" value="RESET"/>	<input type="button" value="TEST"/>		
	<input type="button" value="20%"/> <input type="button" value="50%"/> <input type="button" value="75%"/> <input type="button" value="100%"/>	<input type="button" value="AUTO"/>	<input type="button" value="100%"/> <input type="button" value="5MIN"/> <input type="button" value="⚙️"/>	
	<input type="button" value="10SEC"/> <input type="button" value="1MIN"/> <input type="button" value="5MIN"/> <input type="button" value="TEST"/>	<input type="button" value="20%"/> <input type="button" value="50%"/>	<input type="button" value="10SEC"/> <input type="button" value="10MIN"/>	<input type="button" value="20%"/> <input type="button" value="60MIN"/>
	<input type="button" value="15MIN"/> <input type="button" value="30MIN"/> <input type="button" value="60MIN"/> <input type="button" value="👁️"/>	<input type="button" value="75%"/> <input type="button" value="100%"/>	<input type="button" value="20MIN"/> <input type="button" value="30MIN"/>	Stand-by time before dimming
	<input type="button" value="⚙️"/> <input type="button" value="10LUX"/> <input type="button" value="30LUX"/> <input type="button" value="50LUX"/>	<input type="button" value="👁️"/>	<input type="button" value="⚙️"/> <input type="button" value="10LUX"/>	Preselcted light values=10to ⚙️; Recommendation:rooms with daylight 50 0 lux,without daylight ⚙️:
	<input type="button" value="0"/> <input type="button" value="10%"/> <input type="button" value="20%"/> <input type="button" value="30%"/>	<input type="button" value="0"/> <input type="button" value="10%"/>	<input type="button" value="30LUX"/> <input type="button" value="50LUX"/>	
<input type="button" value="24H"/> <input type="button" value="1MIN"/> <input type="button" value="30MIN"/> <input type="button" value="60MIN"/>	<input type="button" value="20%"/> <input type="button" value="30%"/>	<input type="button" value="24H"/> <input type="button" value="1MIN"/>	<input type="button" value="30MIN"/> <input type="button" value="60MIN"/>	
	Dimming level		Dimming time	

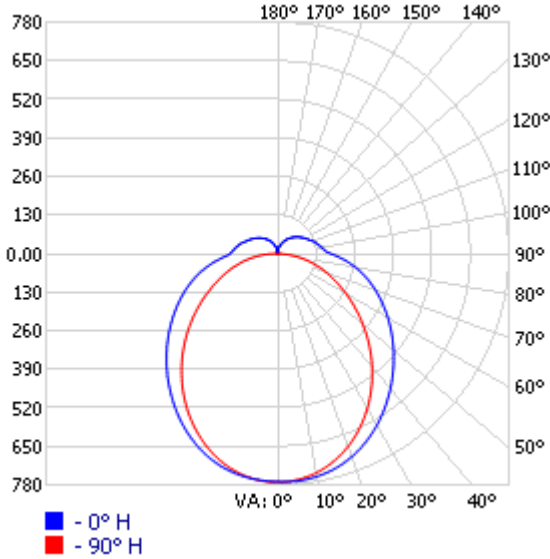
Dimensions	3.32"L x 2.01"W x 0.26"D
Battery Type	CR2025 x 1

PHOTOMETRIC REPORT
STVW-4-25W-30K-2G

Project Name:

Fixture Type:

Polar Candela Distribution



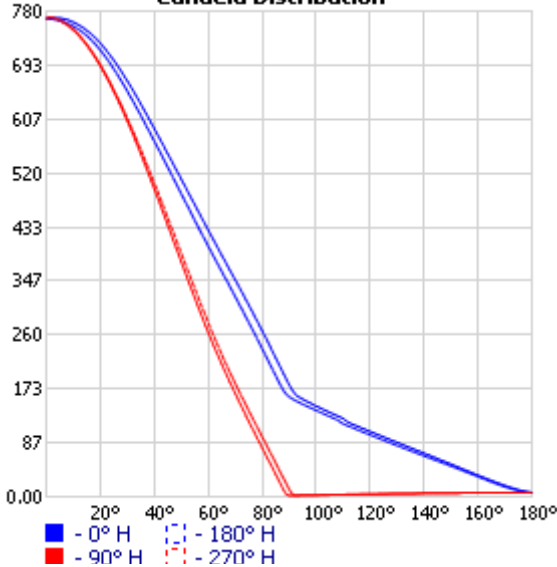
ZONAL LUMEN SUMMARY

ZONE	LUMENS	% LAMP	% LUMINAIRE
0-30	591.3	19.9%	21.3%
0-40	962.1	32.3%	34.7%
0-60	1,706.0	57.3%	61.4%
60-90	699.1	23.5%	25.2%
70-100	492.4	16.5%	17.7%
90-120	246.8	8.3%	8.9%
0-90	2,405.1	80.8%	86.6%
90-180	371.2	12.5%	13.4%
0-180	2,776.3	93.3%	100%

LUMENS PER ZONE

ZONE	LUMENS	% TOTAL	ZONE	LUMENS	% TOTAL
0-10	72.7	2.6%	90-100	99.9	3.6%
10-20	207.4	7.5%	100-110	83.0	3%
20-30	311.2	11.2%	110-120	63.9	2.3%
30-40	370.8	13.4%	120-130	49.2	1.8%
40-50	384.7	13.9%	130-140	35.0	1.3%
50-60	359.2	12.9%	140-150	22.4	0.8%
60-70	306.6	11.0%	150-160	12.0	0.4%
70-80	237.9	8.6%	160-170	4.8	0.2%
80-90	154.6	5.6%	170-180	1.0	0%

Candela Distribution



ILLUMINANCE AT A DISTANCE

HEIGHT(FT)	CENTER BEAM		BEAM SPREAD(FT)		FIELD SPREAD(FT)	
	FOOTCANDLE	HORIZONTAL	HORIZONTAL	VERTICAL	HORIZONTAL	VERTICAL
2.00	192.14 FC	4.8	8.1	26.0	4.0	
4.00	48.03 FC	9.5	16.1	52.0	8.0	
6.00	21.35 FC	14.3	24.2	78.0	12.0	
8.00	12.01 FC	19.0	32.3	104.0	16.0	
10.00	7.69 FC	23.8	40.4	129.9	20.0	
12.00	5.34 FC	28.6	48.4	155.9	24.0	
14.00	3.92 FC	33.3	56.5	181.9	28.0	
16.00	3.00 FC	38.1	64.6	207.9	32.0	

BEAM ANGLE	FIELD ANGLE
99.9°	127.3°
	162.5°
	90.0°

COEFFICIENTS OF UTILIZATION - ZONAL CAVITY METHOD

EFFECTIVE FLOOR CAVITY REFLECTANCE: 20%

RCC %:	80				70				50				30				10				0
RW %:	70	50	30	0	70	50	30	0	50	30	20	50	30	20	50	30	20	50	30	20	0
RCR: 0	1.08	1.08	1.08	1.08	1.04	1.04	1.04	.81	.97	.97	.97	.90	.90	.90	.84	.84	.84	.81			
1	.97	.92	.87	.83	.93	.88	.84	.65	.82	.79	.75	.76	.73	.71	.71	.69	.67	.64			
2	.87	.79	.72	.66	.84	.76	.70	.53	.71	.66	.61	.66	.62	.58	.61	.58	.55	.52			
3	.79	.69	.61	.54	.76	.66	.59	.45	.62	.56	.51	.58	.52	.48	.54	.49	.46	.43			
4	.72	.61	.52	.46	.69	.59	.51	.38	.55	.48	.43	.51	.45	.41	.48	.43	.39	.37			
5	.67	.54	.46	.39	.64	.52	.44	.33	.49	.42	.37	.46	.40	.35	.43	.38	.34	.31			
6	.61	.49	.40	.34	.59	.47	.39	.29	.44	.37	.32	.41	.35	.31	.39	.34	.30	.27			
7	.57	.44	.36	.30	.54	.43	.35	.26	.40	.33	.28	.38	.32	.27	.35	.30	.26	.24			
8	.53	.40	.32	.27	.51	.39	.31	.23	.37	.30	.25	.35	.29	.24	.33	.27	.23	.22			
9	.49	.37	.29	.24	.47	.36	.28	.21	.34	.27	.23	.32	.26	.22	.30	.25	.21	.19			
10	.46	.34	.26	.22	.44	.33	.26	.19	.31	.25	.21	.29	.24	.20	.28	.23	.19	.18			

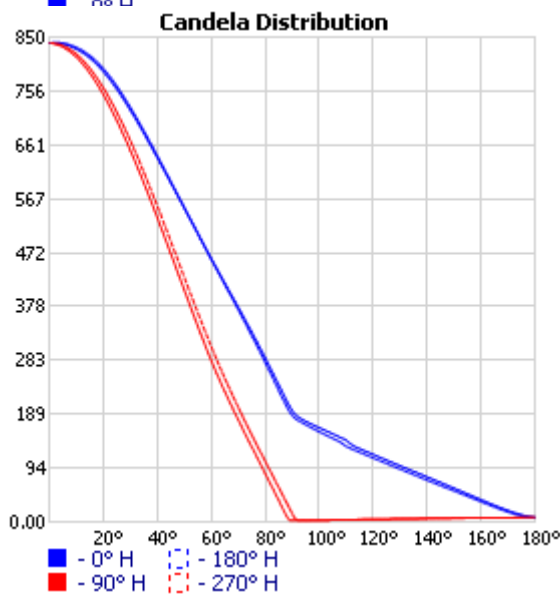
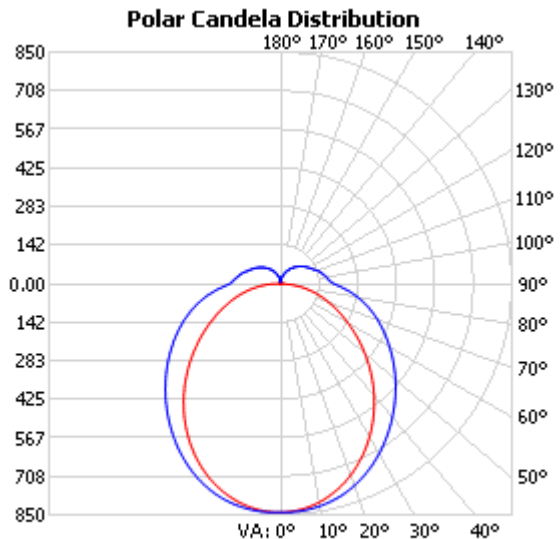
AVERAGE LUMINANCE (CD/M2)

	0	60	120	180	240	300	360
0	504	504	504	504	504	504	504
45	475	269	259	456	261	267	475
55	484	225	211	459	215	221	484
65	518	185	168	483	174	180	518
75	608	149	129	553	137	144	608
85	900	109	83	782	93	102	900

■ PHOTOMETRIC REPORT
STVW-4-25W-40K-2G

Project Name:

Fixture Type:



ZONAL LUMEN SUMMARY

ZONE	LUMENS	% LAMP	% LUMINAIRE
0-30	646.8	19.8%	21.1%
0-40	1,053.3	32.2%	34.3%
0-60	1,870.8	57.2%	61%
60-90	777.8	23.8%	25.3%
70-100	552.0	16.9%	18%
90-120	280.6	8.6%	9.1%
0-90	2,648.6	81%	86.3%
90-180	420.2	12.9%	13.7%
0-180	3,068.8	93.9%	100%

LUMENS PER ZONE

ZONE	LUMENS	% TOTAL	ZONE	LUMENS	% TOTAL
0-10	79.5	2.6%	90-100	113.3	3.7%
10-20	226.8	7.4%	100-110	94.7	3.1%
20-30	340.5	11.1%	110-120	72.6	2.4%
30-40	406.5	13.2%	120-130	55.6	1.8%
40-50	422.3	13.8%	130-140	39.4	1.3%
50-60	395.2	12.9%	140-150	24.8	0.8%
60-70	339.1	11.0%	150-160	13.4	0.4%
70-80	265.1	8.6%	160-170	5.3	0.2%
80-90	173.5	5.7%	170-180	1.1	0%

ILLUMINANCE AT A DISTANCE

HEIGHT(FT)	CENTER BEAM		BEAM SPREAD(FT)		FIELD SPREAD(FT)	
	FOOTCANDLE	HORIZONTAL	HORIZONTAL	VERTICAL	HORIZONTAL	VERTICAL
2.00	209.94 FC		4.8	8.5	26.4	4.2
4.00	52.49 FC		9.6	16.9	52.9	8.4
6.00	23.33 FC		14.3	25.4	79.3	12.5
8.00	13.12 FC		19.1	33.9	105.8	16.7
10.00	8.40 FC		23.9	42.4	132.2	20.9
12.00	5.83 FC		28.7	50.8	158.7	25.1
14.00	4.28 FC		33.4	59.3	185.1	29.2
16.00	3.28 FC		38.2	67.8	211.6	33.4

COEFFICIENTS OF UTILIZATION - ZONAL CAVITY METHOD

EFFECTIVE FLOOR CAVITY REFLECTANCE: 20%

RCC %:	80		70		50		30		10		0							
RW %:	70	50	30	0	70	50	30	0	70	50	30	0						
RCR: 0	1.09	1.09	1.09	1.09	1.05	1.05	1.05	.81	.97	.97	.97	.90	.90	.90	.84	.84	.84	.81
1	.97	.92	.87	.83	.93	.89	.84	.65	.82	.79	.76	.76	.74	.71	.71	.69	.67	.64
2	.88	.79	.72	.66	.84	.76	.70	.53	.71	.66	.61	.66	.62	.58	.61	.58	.55	.52
3	.80	.69	.61	.55	.76	.67	.59	.45	.62	.56	.51	.58	.53	.48	.54	.49	.46	.43
4	.73	.61	.52	.46	.70	.59	.51	.38	.55	.48	.43	.51	.46	.41	.48	.43	.39	.36
5	.67	.54	.46	.39	.64	.53	.44	.33	.49	.42	.37	.46	.40	.35	.43	.38	.34	.31
6	.62	.49	.40	.34	.59	.47	.39	.29	.44	.37	.32	.41	.35	.31	.39	.34	.30	.27
7	.57	.44	.36	.30	.55	.43	.35	.26	.40	.33	.28	.38	.32	.27	.35	.30	.26	.24
8	.53	.40	.32	.27	.51	.39	.31	.23	.37	.30	.25	.35	.29	.24	.33	.27	.23	.21
9	.50	.37	.29	.24	.48	.36	.28	.21	.34	.27	.23	.32	.26	.22	.30	.25	.21	.19
10	.46	.34	.27	.22	.45	.33	.26	.19	.31	.25	.21	.30	.24	.20	.28	.23	.19	.17

AVERAGE LUMINANCE (CD/M2)

	0	60	120	180	240	300	360
0	551	551	551	551	551	551	551
45	513	289	284	515	293	292	513
55	522	240	232	522	242	242	522
65	559	197	187	556	198	198	559
75	658	160	147	645	157	158	658
85	968	115	98	929	110	112	968