

## LED TAPE LIGHT

### WARNING



**NEVER PLUG IN LOW VOLTAGE TAPE LIGHT INTO LINE VOLTAGE**  
**REMOVE TAPELIGHT FROM SPOOL BEFORE INSTALLATION**  
**PRODUCT SHOULD BE INSTALLED BY A LICENSED ELECTRICIAN**

### Safety and Warnings

- National and local electrical code regulations should be kept in mind while installing the tape light.
- A qualified licensed electrician is intended to install this product.
- A compatible class 2 power supply must be used for this product.
- Avoid installing in direct sunlight as the LED chips can be damaged by it.
- Do not power the tape light while coiled in the plastic spool, excess heat can damage LEDs.
- Make sure the product isn't surrounded by anything conductive or not rated for high temperatures.
- Different tape light has different voltage ratings, make sure wire length and driver are compatible.
- Handle tape light with care, excessive bending and force can damage tape light.
- Not all tape lights are rated for outdoor/wet location use, check our website for specifications.

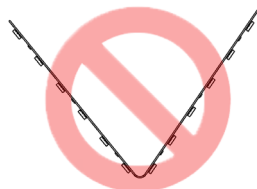
### Handling Instructions



Can be bent backwards



Can be bent forwards



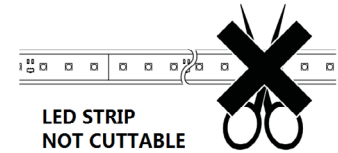
Do not fold or crease



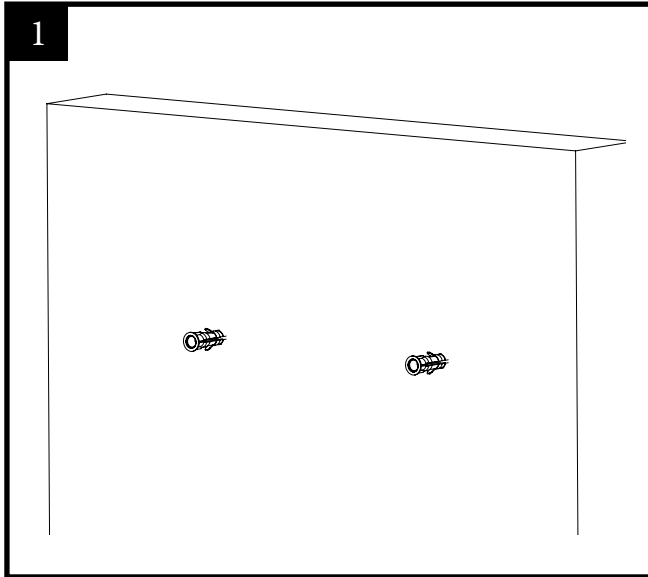
Do not bend vertically up or down

# Side Wind Installation Guide

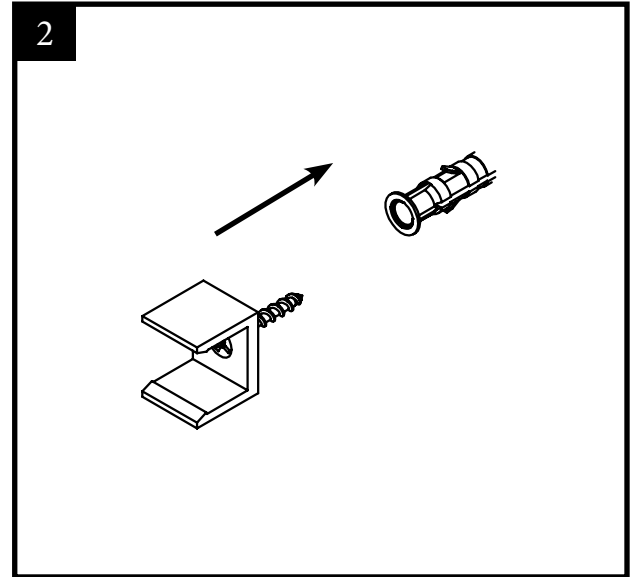
## LED TAPE LIGHT



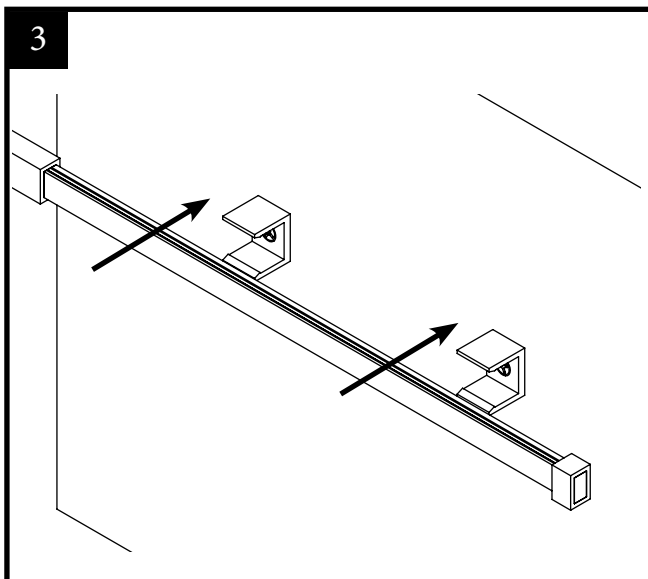
### ■ INSTRUCTIONS FOR MOUNTING



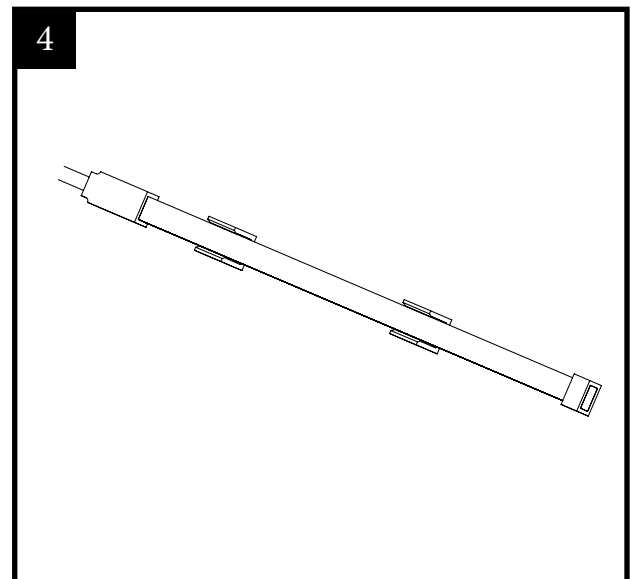
1. Position the two provided plastic anchors in the desired orientation of the tapelight, and space them approximately 2 ft apart. Secure onto the surface with a drill.



2. Insert the flat head screw into the mounting clip hole and screw the clip into the anchor for a secure fit. Repeat this step for the other mounting clip.



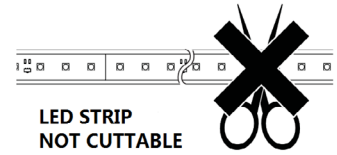
3. Align the tapelight to the corresponding mounting clips and snap it in.



4. Enjoy your new tapelight!

# Side Wind Installation Guide

## LED TAPE LIGHT



### ■ INSTRUCTIONS FOR WIRING

Wiring diagram for a typical installation of the light fixture with a compatible driver and switch.

