

Super Beam

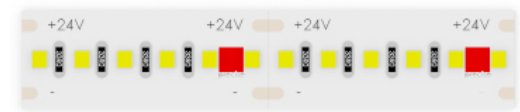
LED TAPE LIGHT

Project Name:

Fixture Type:

DESCRIPTION

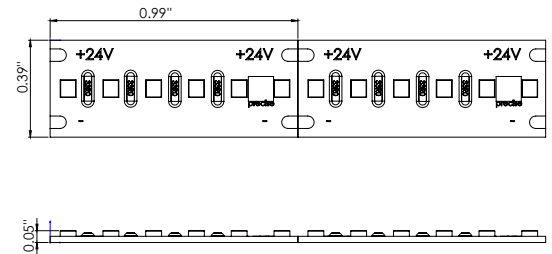
All PreciseLED tape light products feature a flexible copper core and are cut and soldered to specified length in our factory. PreciseLED tape lights additionally have best-in-class color rendering, color consistency, and, when combined with our dimming drivers, dimming and flickering performance. Super Beam is not known for its shyness. Our brightest tape light is powerful enough to light up a whole room.



SPECIFICATIONS

- Voltage: 24V
- Watts per foot: 16W/ft
- Average Lumens per Foot: 970 Lm/ft
- LEDs: 1620 SMD
- Dimmable using dimmable driver
- Backed with 3M Adhesive
- Ambient Temperature: -4°F ~ +113°F
- Humidity: 40% ~ 70% R
- IP Protection: IP20
- Tail end field cuttable every 0.99 Inches
- 50,000 Hours Lamp Life
- Max Run: 4.37 Feet
- This product must be placed in a channel
- 7 Step Binning Process
- CRI ≥ 90
- UL Listed for US and Canada
- 5 Year Warranty

DIMENSIONS



LUMEN OUTPUT PER COLOR TEMPERATURE

2700K	937 Lm/ft
3000K	964 Lm/ft
4000K	1009 Lm/ft

Please see PreciseLED.com for warranty and installation information.

ORDERING CODE

Example: **SUBE-4'-24V-90C-40K**

Product	Spool Length	Volts	CRI	Color Temperature	Ambience
SUBE	ft in Custom Length For ordering lengths, see page 5.	24V- 24 Volts	90C ≥ 90CRI	27K 2700K 30K 3000K 40K 4000K	Standard

COMPATIBLE TAPE LIGHT DRIVERS

<p>Lutron Dimming Drivers</p> <p>LA & LP Series</p>	<p>Wet Location 0-10V Dimmable Drivers</p> <p>ZO Series</p>	<p>Magnetic Dimming Drivers</p> <p>MG Series</p>	<p>Wet Location Non-Dimming Drivers</p> <p>NN Series</p>
---	---	--	--

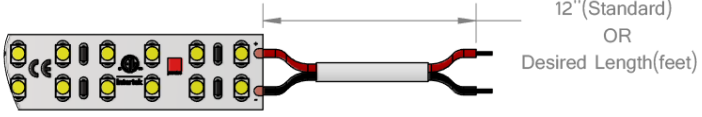
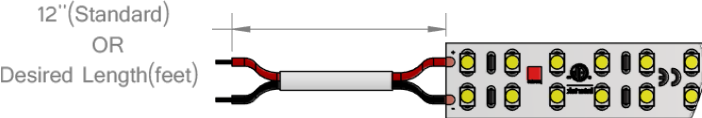



Click [here](#) for a more detailed driver overview.

Super Beam

LED TAPE LIGHT

Project Name:

Fixture Type:

Optional Wiring Configurations	Description	Ordering Code
	Custom Tail Wire Length	TAIW
	Custom Lead Wire Length	LEAW
	Tail Jumper Cable	JUMP
	2.1MM DC CONNECTOR (FEMALE)	PLGF
	2.1MM DC CONNECTOR (MALE)	PLGM

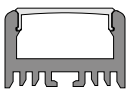
*Default wire length is 12", no number in front of ordering code indicates default length

Note: Solder points are secured with cable grips.

ORDERING CODE

Example: SUBE-4'-24V-95C-30K-EGNT-14TAIW

COMPATIBLE TAPE LIGHT CHANNELS



CNWD -
Connectwide

Click [here](#) to view our Tape Light Channels

Super Beam

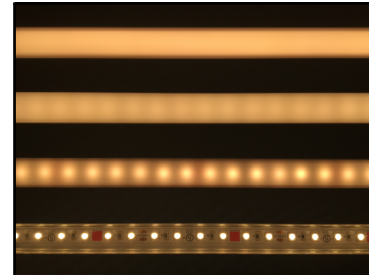
LED TAPE LIGHT

Project Name:

Fixture Type:

■ LEVEL OF SPOTLESSNESS PER CHANNEL/ LENS COMBINATION

	Opel Lens	Diffuse Lens	Clear Lens
CONNECTWIDE	SL	SL	CL

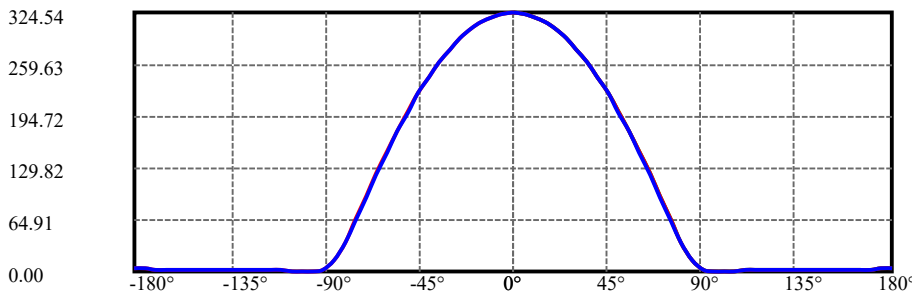
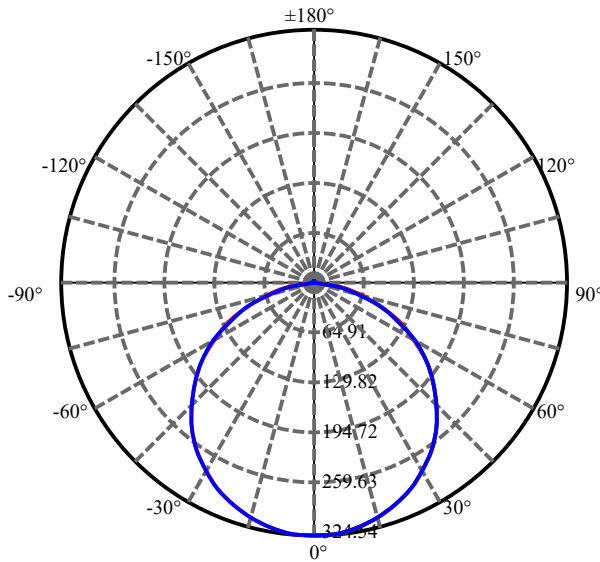


SL = Spotless
SS = Slightly Spotty
SP = Spotty
CL = Clear

■ TOTAL LUMEN OUTPUT FOR CHANNEL/ LENS COMBINATION

	Opel Lens	Diffuse Lens	Clear Lens
CONNECTWIDE	26%	53%	67%

■ LIGHT DISTRIBUTION CURVE



C0(Max): ———
C0/C180: ———
C90/C270: ———

Field angle(10%Imax):C0/180Left:80.9 Right:80.9
:C90/270Left:80.8 Right:80.8
Beam Angle(50%Imax):C0/180Left:57.8 Right:57.8
:C90/270Left:57.6 Right:57.6

Super Beam

LED TAPE LIGHT

Project Name:

Fixture Type:

■ Please refer to chart below for exact lengths of the Super Beam Tape Light

Ordered Length		Actual Length
(Foot-Inches)	(Inches)	(Inches)
0'-1"	1	1.9
0'-3"	3	3.8
0'-5"	5	5.7
0'-7"	7	7.6
0'-9"	9	9.5
0'-11"	11	11.4
1'-1"	13	13.3
1'-3"	15	15.2
1'-5"	17	17.1
1'-7"	19	19
1'-8"	20	20.9
1'-10"	22	22.8
2'-0"	24	24.7
2'-2"	26	26.6
2'-4"	28	28.5
2'-6"	30	30.4
2'-8"	32	32.3
2'-10"	34	34.2
3'-0"	36	36.1
3'-2"	38	38
3'-3"	39	39.9
3'-5"	41	41.8
3'-7"	43	43.7
3'-9"	45	45.6
3'-11"	47	47.5
4'-1"	49	49.4
4'-3"	51	51.3