

# Topwind

## LED TAPE LIGHT


Project Name:

Fixture Type:

### DESCRIPTION

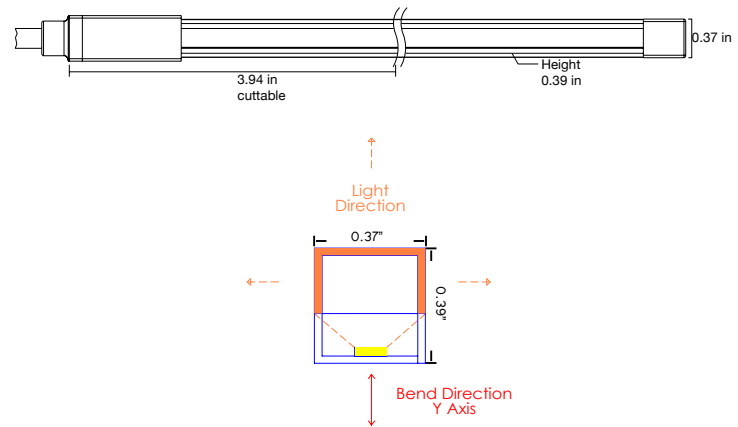
Topwind provides a uniform and smooth illuminated surface with a beam angle of 160 degrees. It has a flexible and durable protection layer that is water proof, flame resistant, saltwater resistant, and UV resistant. The accessories for this product allow for quick and easy installation without the need for a channel.

### SPECIFICATIONS

- Voltage: 24V
- Watts per foot: 4.4W/ft
- Lumens per foot: 262 Lm/ft (3000K)
- 3528 LEDs
- Dimmable using dimmable driver
- Ambient Temperature: -4°F ~ +113°F
- Humidity: 40%-70% R
- Protection: IP67
- Fire-retardant, UV Resistant, Saltwater Resistant
- 160° beam angle
- Minimum Bending Diameter: 4.72in
- 50,000 Hours Lamp Life
- 90+ CRI
- ETL Safety Certification
- UL Listed for US and Canada 
- 3 Year Warranty



### DIMENSIONS

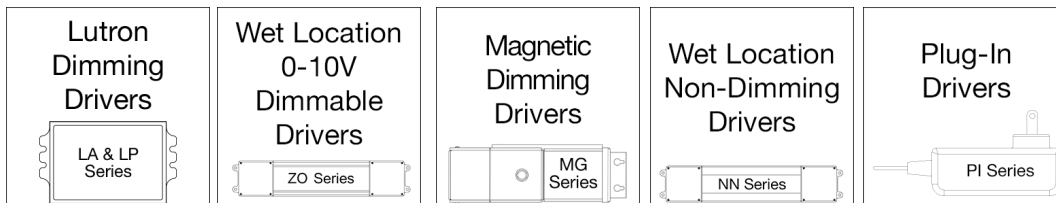


### ORDERING CODE

Example: TPWD-16'-24V-90C-40K

Product	Spool Length	Volts	CRI	Color Temperature
TPWD	ft      in	24V- 24 Volts	90C ≥ 90CRI	27K 2700K 30K 3000K 35K 3500K 40K 4000K
	Custom Length			
	Cuttable length: 3.94in			

### COMPATIBLE TAPE LIGHT DRIVERS




Click [here](#) for a more detailed driver overview.

Project Name:

Fixture Type:

■ **ACCESSORIES**

These are the additional accessories that can be ordered with the tapelight:

Product	Image	Ordering Code	Quantity
Beginning Connector		<b>TPWD-BGCT</b>	
End Cap		<b>TPWD-EDCP</b>	
Jumper Connector		<b>TPWD-JPCN</b>	
Splice Connector		<b>TPWD-SPCT</b>	
Mounting Clips		<b>TPWD-CLIP</b>	

# Topwind

LED TAPE LIGHT

Project Name:

Fixture Type:

■ **WIRING DIAGRAM**

