

Installation Guide

WARNING

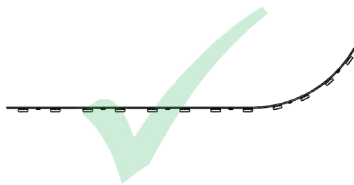


NEVER PLUG IN LOW VOLTAGE TAPE LIGHT INTO LINE VOLTAGE
REMOVE TAPELIGHT FROM SPOOL BEFORE INSTALLATION
PRODUCT SHOULD BE INSTALLED BY A LICENSED ELECTRICIAN

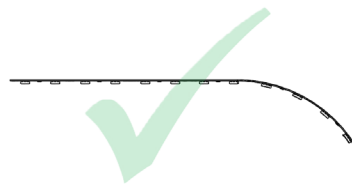
Safety and Warnings

- National and local electrical code regulations should be kept in mind while installing the tape light.
- A qualified licensed electrician is intended to install this product.
- A compatible class 2 power supply must be used for this product.
- Avoid installing in direct sunlight as the LED chips can be damaged by it.
- Do not power the tape light while coiled in the plastic spool, excess heat can damage LEDs.
- Make sure the product isn't surrounded by anything conductive or not rated for high temperatures.
- Different tape light has different voltage ratings, make sure wire length and driver are compatible.
- Handle tape light with care, excessive bending and force can damage tape light.
- Not all tape lights are rated for outdoor/wet location use, check our website for specifications.

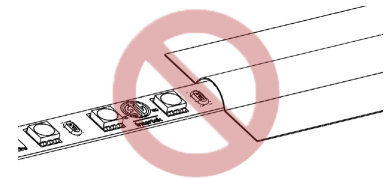
Handling Instructions



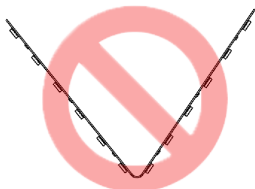
Can be bent backwards



Can be bent forwards



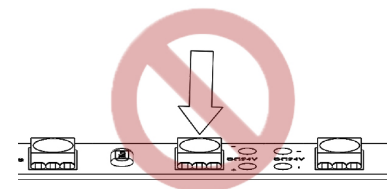
Do not cover tape light



Do not fold or crease



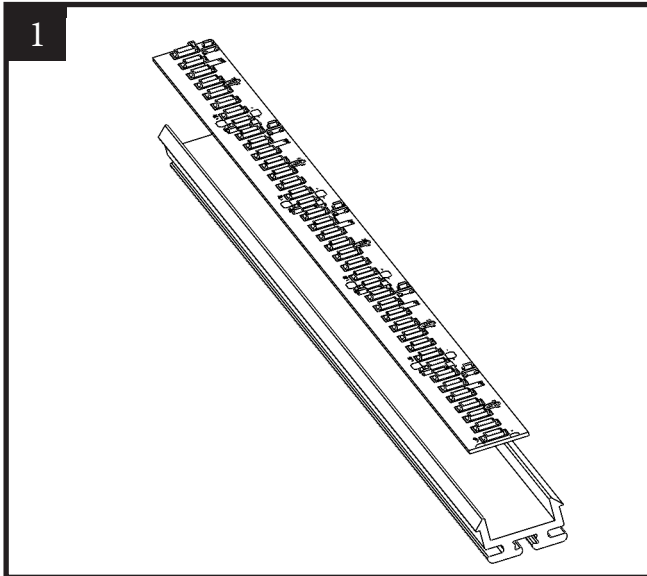
Do not bend vertically up or down



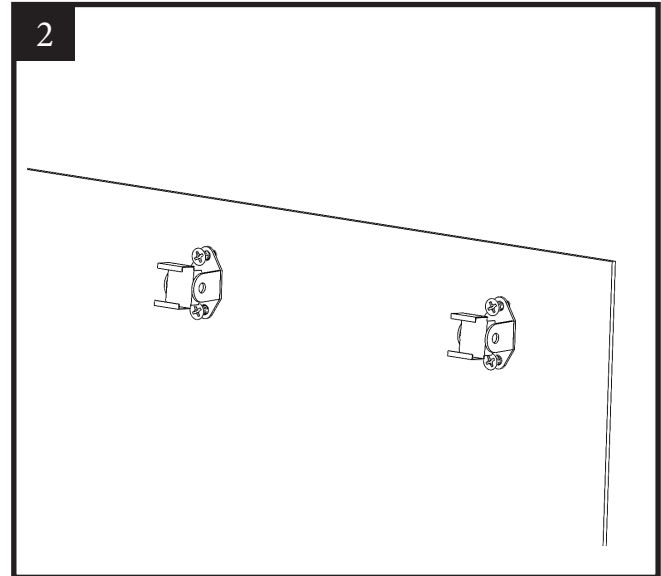
Do apply force on LEDs

Installation Guide

INSTRUCTIONS FOR MOUNTING

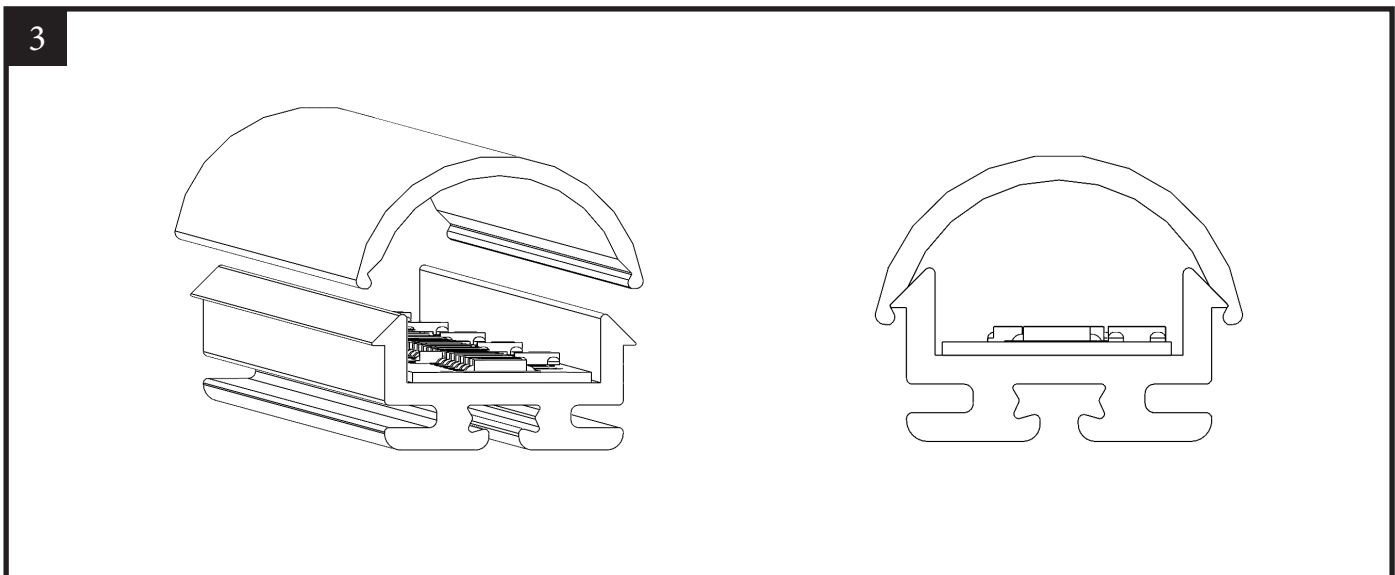


1. Remove the adhesive backing from the tape light and attach it to the versa channel.



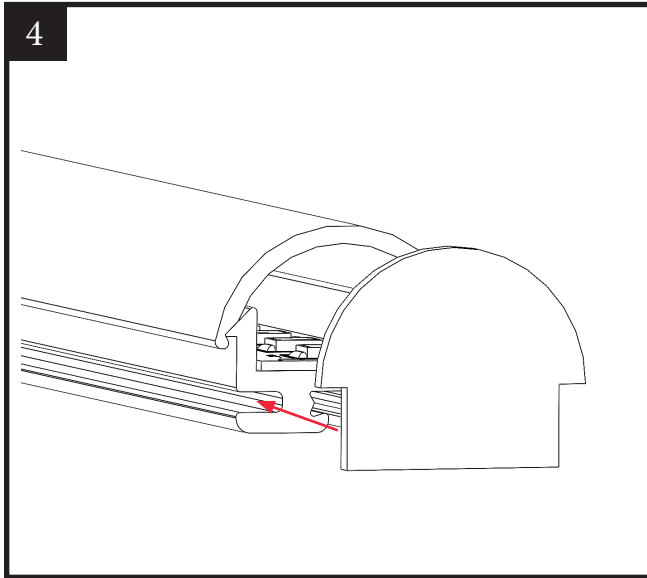
2. Mount the preassembled adjustable mounting bracket to drywall or wood at the desired location with the provided screws.

Note: A mounting bracket is needed every 3 feet of channel used.

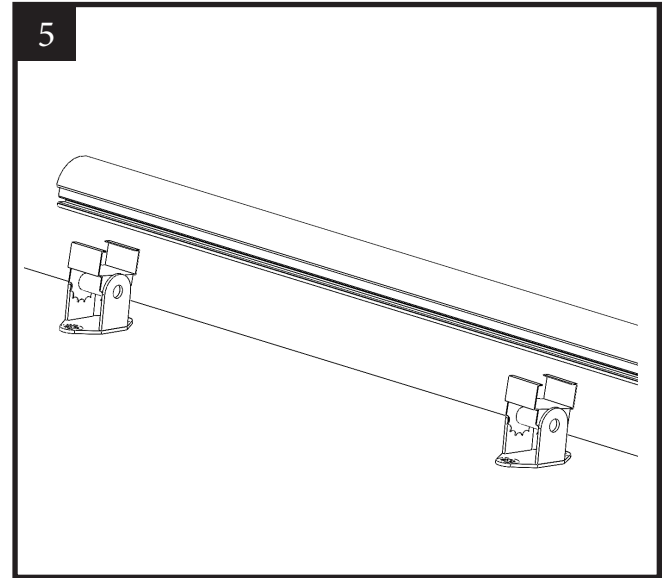


3. Attach the lenses to the versa channel with the end result looking like figure on the right.

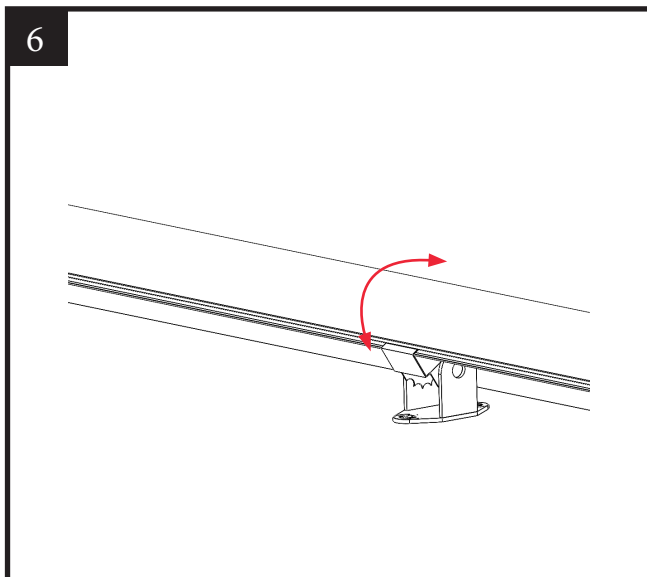
Installation Guide



4. To attach the endcaps to both ends of the channel, slide the prongs of the endcaps into the grooves of the versa channel.



5. Align the assembled versa channel to the adjustable mounting brackets and snap the channel into the brackets.



6. Adjust the light fixture to the desired angle by using the adjustable mounting brackets and enjoy your new PreciseLED light fixture!