

WAVE

Pendant Mount Curved LED Lighting System

DESCRIPTION

The Wave is a customizable surface mounted fixture designed with a modular three-piece housing allowing for varying lengths, widths and fully customizable fixture geometries.

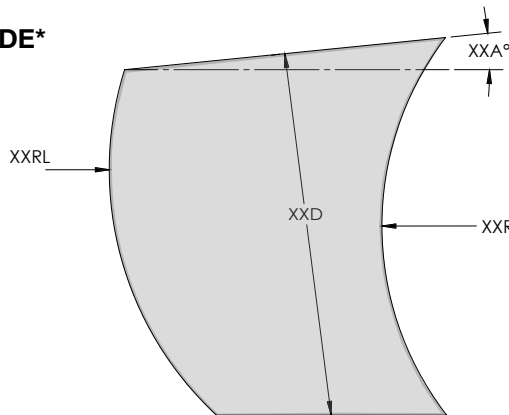
Wave uses flexible, trimmable LED sheets instead of strips, enabling smooth illumination across complex shapes. A laser-cut polycarbonate lens matches the custom profile for a clean finish with the option of a Black Louvre lens to control glare.

DELIVERED LUMEN OUTPUT PERFORMANCE PER ft²*

Lumen Output			
2700K	3000K	3500K	4000K
1108 lm/ft ²	1138 lm/ft ²	1169 lm/ft ²	1184 lm/ft ²

*estimated values

ORDERING CODE*

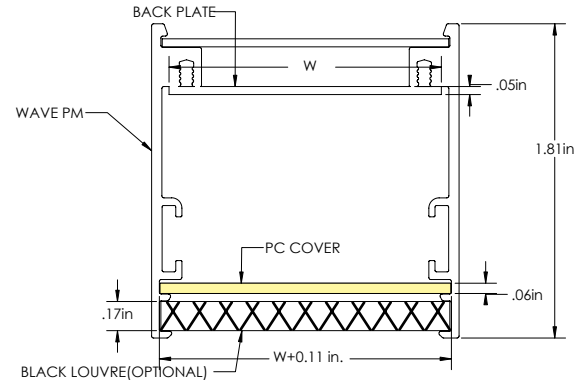


Example image for Ordering Grid

Project Name:
Fixture Type:



DIMENSIONS



Note: This is an RCP View

Product	Radius of Left Wall	Bend Direction	Radius of Right Wall	Bend Direction Two	Angle	Segment Length
WAVE-PM						
WAVE-PM	XXRL Radius in inches* *Minimum radius is Maximum radius is	CNC1 Concave, inward curve CNV1 Convex, Out- ward curve	XXRR Radius in inches* *Minimum radius is Maximum radius is	CNC2 Concave, inward curve CNV2 Convex, Outward curve	XXA Angle in Degrees	XXL Segment length in inches *Maximum length is 8 ft.
Volt	CRI	Color Temperature	Lens	Driver	Housing Finish	Pendant
24V	95C					
24V - 24V	95C ≥ 95 CRI	27K 2700K 30K 3000K 35K 3500K 40K 4000K	DLNS Diffused LOUV Louvre	MG 1% Magnetic Dimming ZO 1% 0-10V Dimming NN Non Dimming L3 Lutron Hi-Lume 1% 3-wire/EcoSys- tem (40W max.) LP Lutron Hi-lume Premier 0.1% Fade To Black EcoSystem/3-wire	AL Aluminum (Default) WH White Powder Coated (Default) BK Black Powder Coated XX Custom Color * RAL#: *consult factory for avail- ability	5RAW36 Feed/Non Feed 5" (White) Round Canopywith 36 inches Aircraft Cable (Default) 5RAB36 Feed/Non Feed 5" (Black) Round Canopy with 36 inches Aircraft Cable Enter custom part# from Table 1 below Note: Leadwire for tapelight will be the same length as the aircraft cable

*Ordering Code specifies one segment of the fixture. Use multiple sheets for combination runs.

Click [here](#) for a more detailed driver overview.

WAVE

Pendant Mount Curved LED Lighting System

Project Name:

Fixture Type:

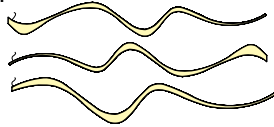
AIR CRAFT CABLE MOUNTING OPTION (TABLE 1)

Type	Canopy	Hardware	Color	Length
F Feed Kit N Non-Feed Kit	5R 5" Round (Default) 5S 5" Square Note: other sizes available, consult factory for details	A Air Craft Cable (Default) P Power Cable (Gray)	W White (Default) B Black X Custom RAL#:	18 18 Inch 36 36 Inch (Default) 48 48 Inch 72 72 Inch XX Custom Length: Default Length: Air Craft Cable: 36" Stem: 18"

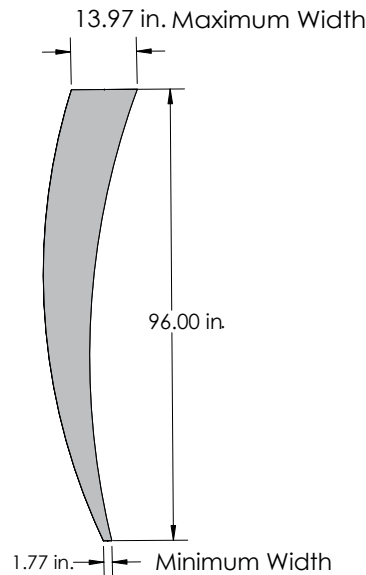
PRODUCTION OPTION

PRELOADED

Channel is preloaded with light module and cut to specific lengths. Exact field measurements must be provided, factory does not take responsibility for field measurement errors.



DESIGN CONSIDERATIONS



WAVE

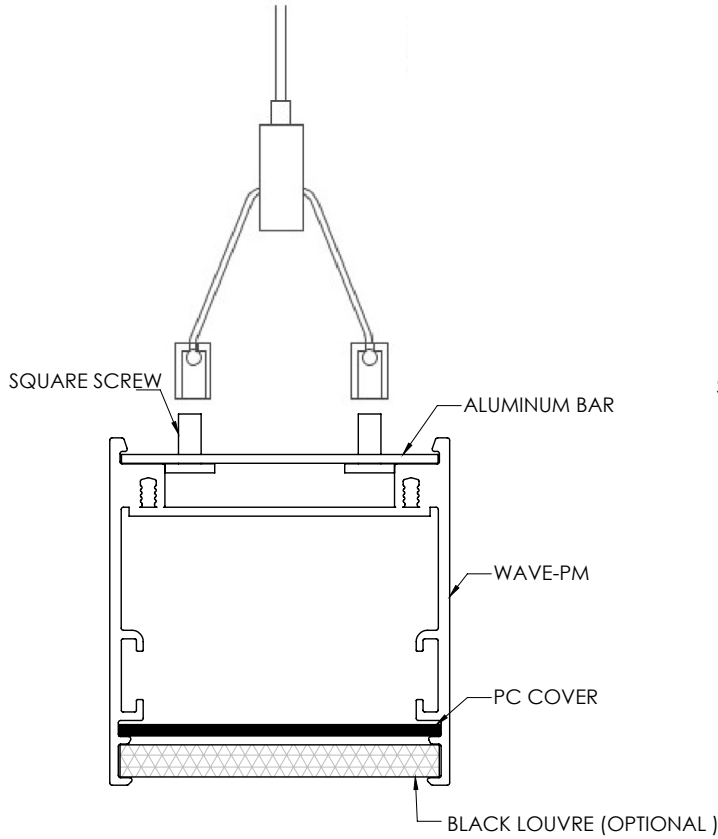
Pendant Mount Curved LED Lighting System

Project Name:

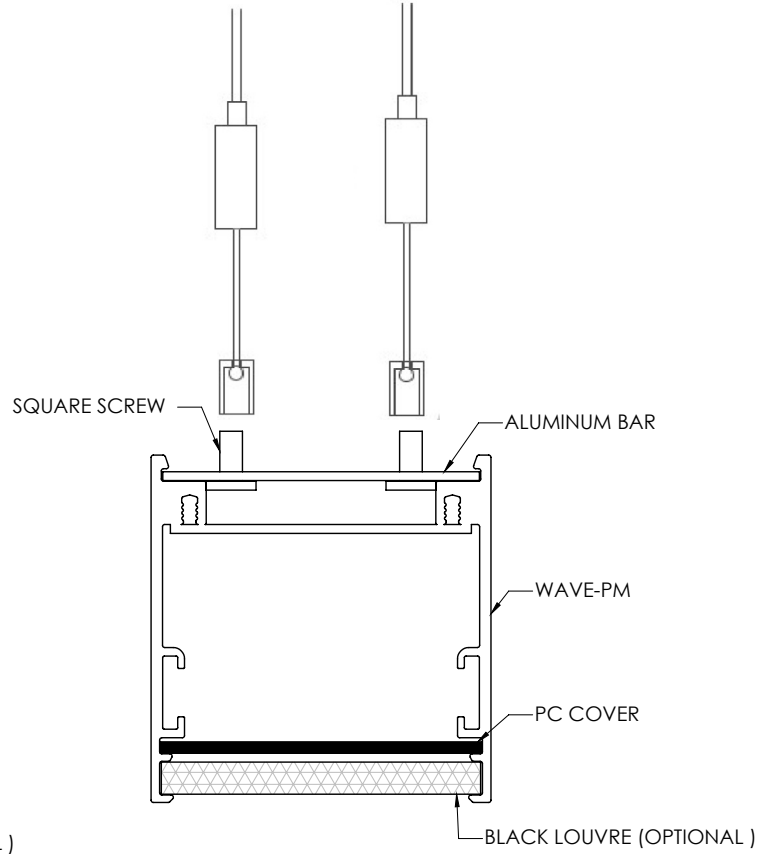
Fixture Type:

PENDANT TYPES

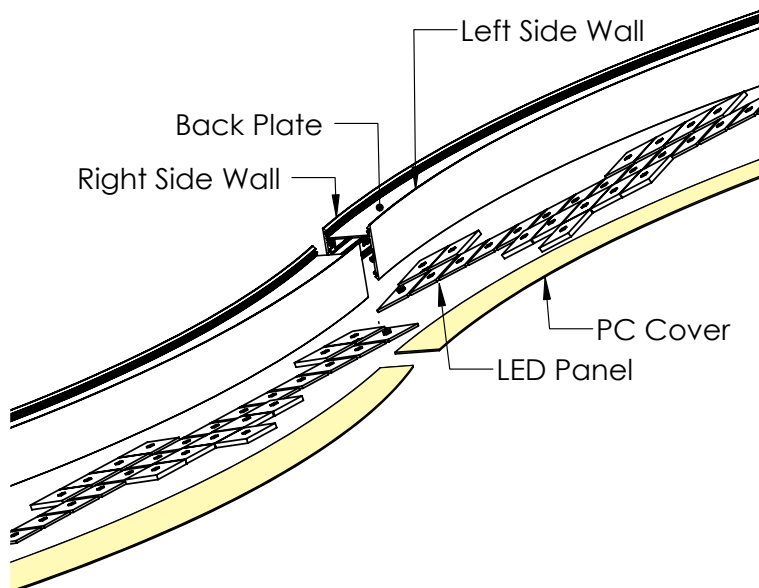
SINGLE CANOPY



DOUBLE CANOPY



FIXTURE COMPONENTS



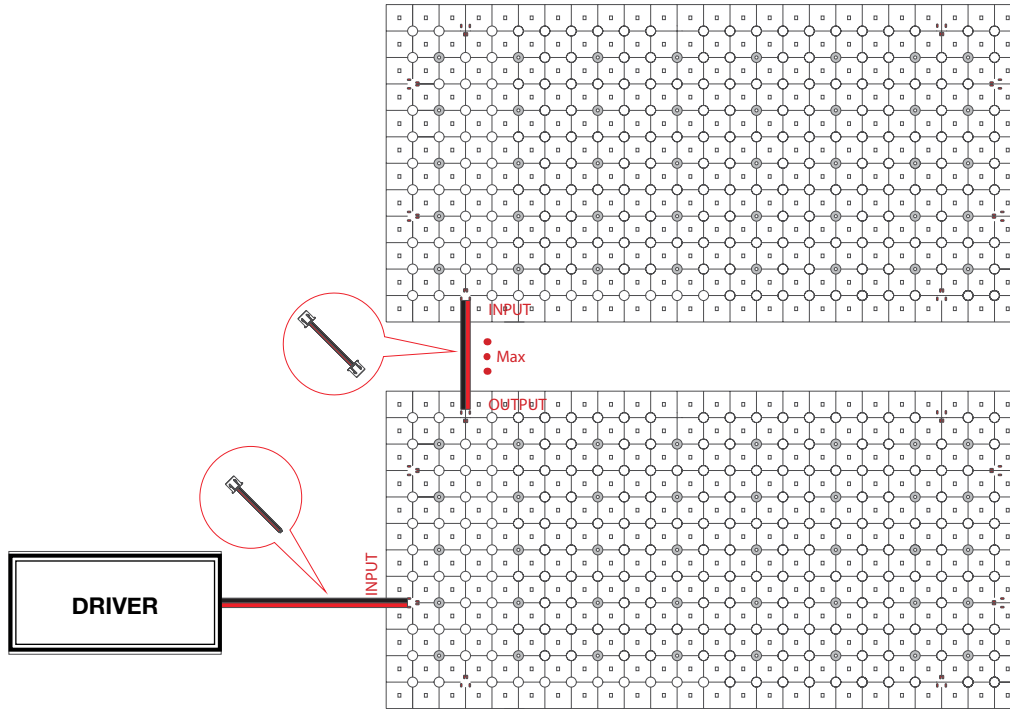
WAVE

Pendant Mount Curved LED Lighting System

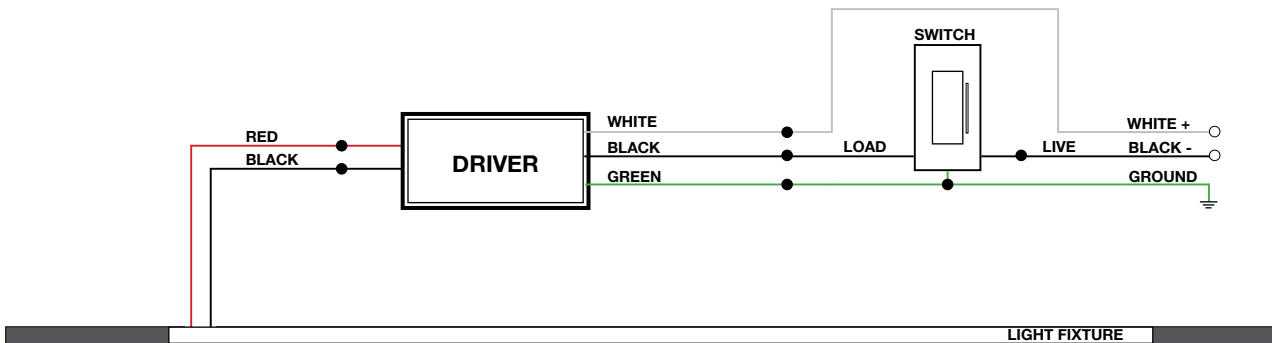
Project Name:

Fixture Type:

LED MODULE WIRING DIAGRAM



DRIVER WIRING DIAGRAM



WAVE

Pendant Mount Curved LED Lighting System

Project Name:

Fixture Type:

SPECIFICATIONS

LED SYSTEM

This fixture uses an LED Panel. The panel is dimmable using a dimmable driver. They enable the display of a clean line of light at the surface of the fixture's lens. The light module is available in four different color temperatures of 2700K, 3000K, 3500K, and 4000K. It has a minimum of 90CRI (color rendering index).

OPTICS

For this fixture, polycarbonate lens are available in a diffused finish. The lens are laser cut to cleanly match each unique fixture profile. Optional Louvre Lens.

ELECTRICAL

There are six available drivers to choose from. All LED drivers are mounted remotely and have 120-277VAC input.

MG driver is a forward phase dimmer that provides 1% magnetic low voltage (dims down to 1%) and flicker-free dimming.

ZO driver is a driver that provides flicker-free dimming down to 1% using 0-10V dimming, and is IP65 rated for both indoor and outdoor use.

NN driver is a non-dimming, flicker-free driver that is IP65 rated for both indoor and outdoor use.

L3 driver is a 3-Wire driver from Lutron that has Hi-lume 1% EcoSystem and provides continuous and flicker-free dimming from 100%-1%

LP driver is a 3-Wire driver from Lutron that has Hi-lume Premier 0.1% FadeToBlack EcoSystem and provides continuous and flicker-free dimming down to 0.1% when paired with EcoSystem Lutron controllers.

- FEED: 18" of wire provided with connection to a longer wire inside the beginning module.
- EMERGENCY (Optional): Remote emergency battery pack provides backup power for 90 minutes. Remote emergency test switch included.

MOUNTING

- PENDANT: White round canopy with an aircraft cable of 36 inches is provided by default with the additional choices of black or custom colors. Air craft length can be 18, 36, 48, or 72 inches with the option for custom lengths.

Mounting brackets are provided to be attached to the pendant kit; allowing for the pendant to be mounted directly into the ceiling. This design is versatile for any location and easily moved.

CONSTRUCTION

- DIMENSIONS: 1.81" H
- HOUSING: Modular three piece housing with two curved side walls and a laser-cut back plate

LISTING/WARRANTY

- APPROVALS: UL/C-UL listed for dry and damp locations. IC rated.
- WARRANTY: 5 year limited warranty, ambient temperatures at fixture location should not exceed 104°F during normal operation.
- IP Protection: IP20
- CRI ≥ 95
- 50,000 hours lamp life
- US & International Patents

