

WAVE

Surface Mount Curved LED Lighting System

DESCRIPTION

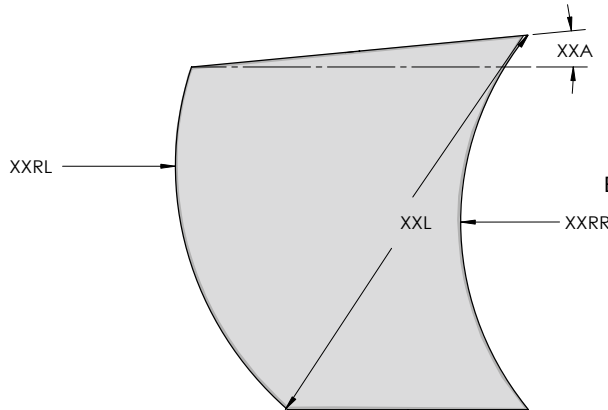
The Wave redefines architectural lighting with its freeform, fully customizable design. This surface-mounted fixture can be shaped into smooth curves, sweeping lines, or complex geometries, bringing fluid movement and creativity to any space. Flexible LED technology delivers seamless, even illumination across every contour, while a precision-cut lens ensures a clean, modern finish. The Wave is designed to adapt to your vision, bringing your boldest ideas to life!

LUMEN OUTPUT PERFORMANCE*

Light Module	Lumens/ft ²
2700K	1813
3000K	1862
3500K	1913
4000K	1938

*estimated values

ORDERING CODE*

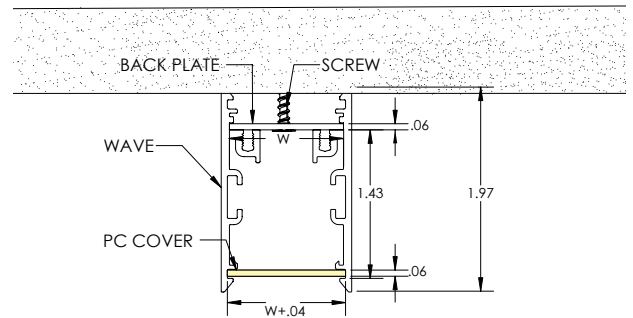


Example image for Ordering Grid

Project Name:
Fixture Type:



DIMENSIONS



Note: This is an RCP View
XXL represents the longest straight-line distance between segment endpoints.

Product	Radius of Left Wall	Bend Direction	Radius of Right Wall	Bend Direction Two	Angle	Segment Length
WAVE-SM						
WAVE-SM	XXRL Radius in inches* *Minimum radius is 15"	CNC1 Concave, inward curve CNV1 Convex, Outward curve	XXRR Radius in inches* *Minimum radius is 15"	CNC2 Concave, inward curve CNV2 Convex, Outward curve	XXA Angle in Degrees	XXL Segment length in inches *Maximum length is 8 ft.
Volt	CRI	Color Temperature	Lens	Driver		
24V	95C					
24V - 24V	95C ≥ 95 CRI	27K 2700K 30K 3000K 35K 3500K 40K 4000K	DLNS Diffused LOUV Louvre	MG 1% Magnetic Dimming ZO 1% 0-10V Dimming NN Non Dimming L3 Lutron Hi-lume 1% 3-wire/EcoSystem (40W max.) LP Lutron Hi-lume Premier 0.1% Fade To Black EcoSystem/3-wire		

*Ordering Code specifies one segment of the fixture. Use multiple sheets for combination runs.

Click [here](#) for a more detailed driver overview.

WAVE

Surface Mount Curved LED Lighting System

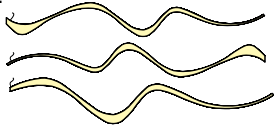
Project Name:

Fixture Type:

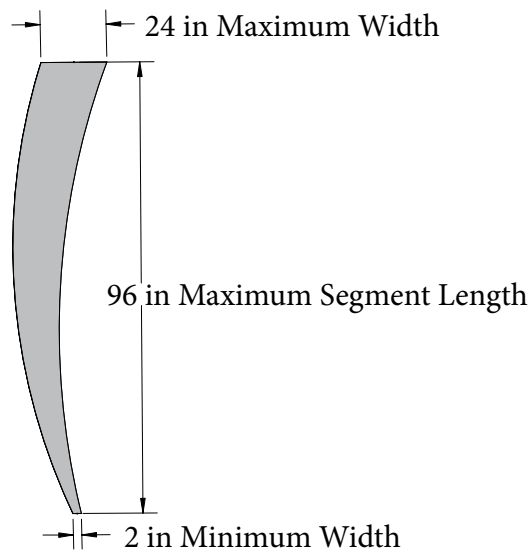
PRODUCTION OPTION

PRELOADED

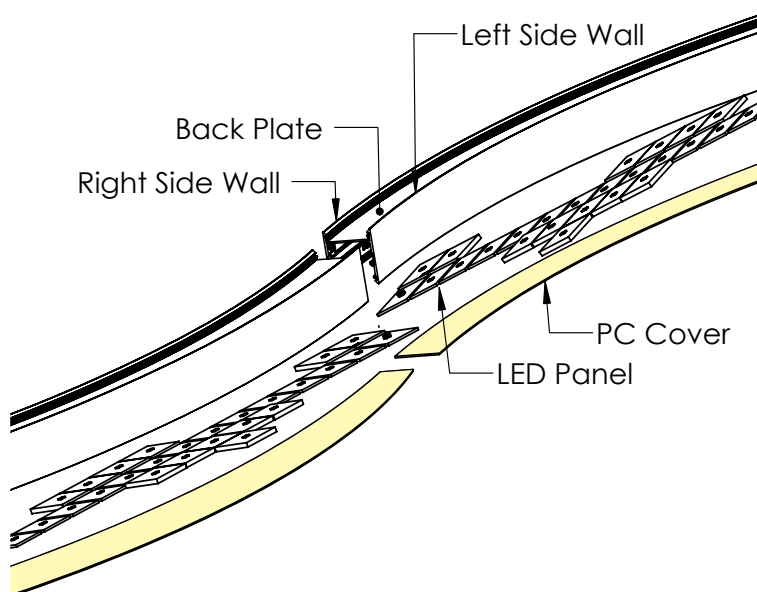
Channel is preloaded with light module and cut to specific lengths. Exact field measurements must be provided, factory does not take responsibility for field measurement errors.



DESIGN CONSIDERATIONS



FIXTURE COMPONENTS



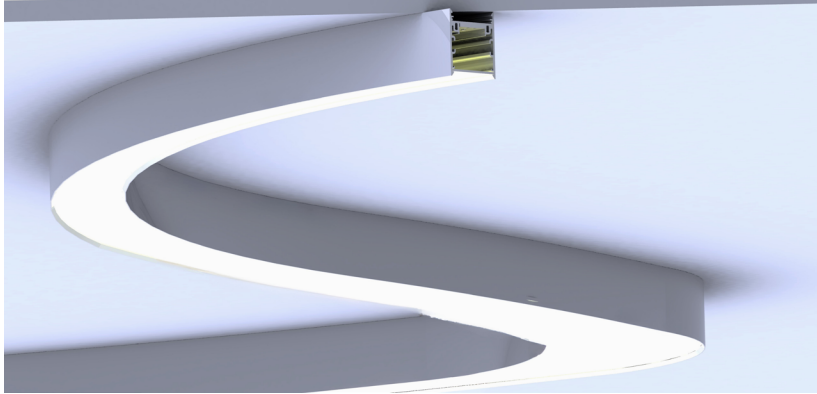
WAVE

Surface Mount Curved LED Lighting System

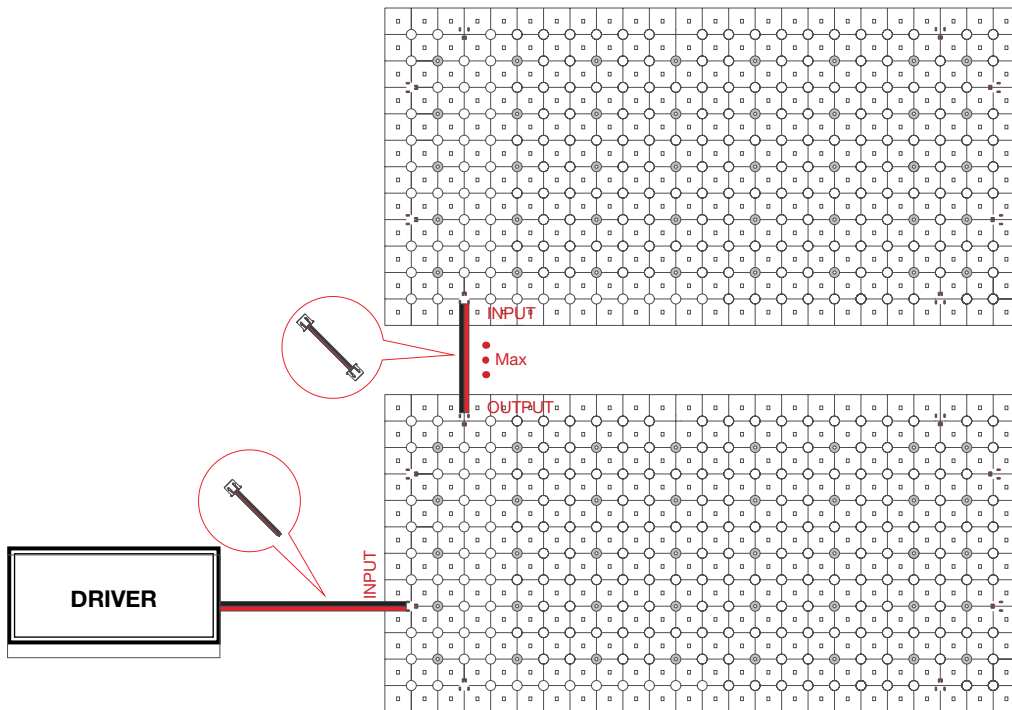
Project Name:

Fixture Type:

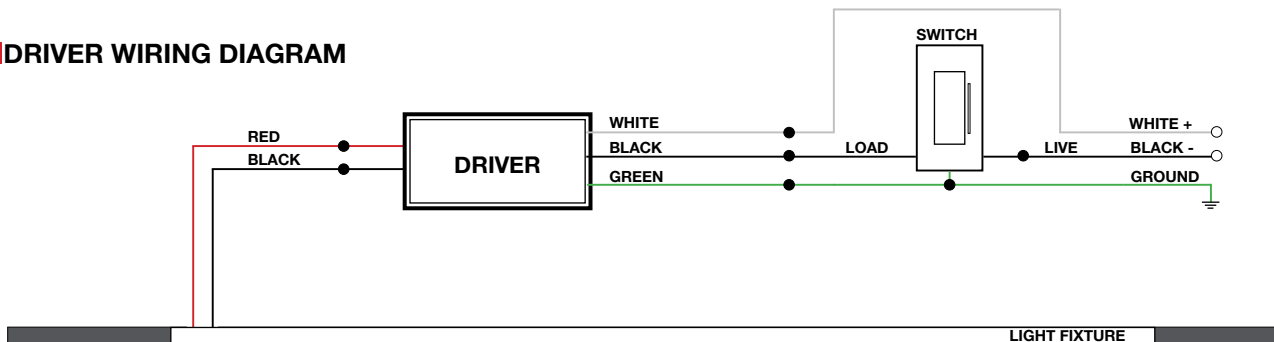
■ FIXTURE ASSEMBLY



■ LED MODULE WIRING DIAGRAM



■ DRIVER WIRING DIAGRAM



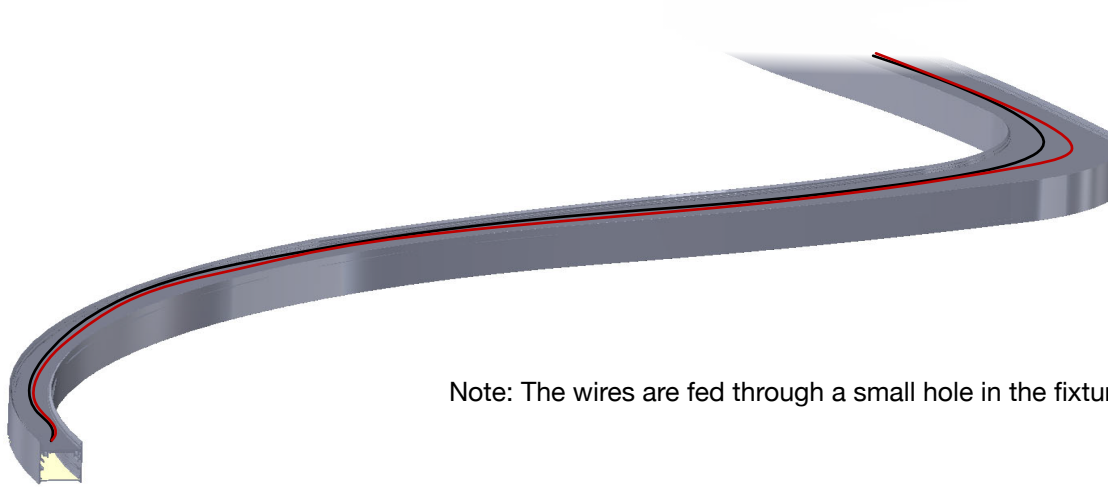
WAVE

Surface Mount Curved LED Lighting System

Project Name:

Fixture Type:

FEED OPTIONS



Note: The wires are fed through a small hole in the fixture's back plate.

SPECIFICATIONS

LED SYSTEM

This fixture uses an LED Panel. The panel is dimmable using a dimmable driver. They enable the display of a clean line of light at the surface of the fixture's lens. The light module is available in four different color temperatures of 2700K, 3000K, 3500K, and 4000K. It has a minimum of 95 CRI (color rendering index).

OPTICS

For this fixture, polycarbonate lens are available in a diffused finish. The lens are laser cut to cleanly match each unique fixture profile.

ELECTRICAL

There are six available drivers to choose from. All LED drivers are mounted remotely and have 120-277VAC input.

MG driver is a forward phase dimmer that provides 1% magnetic low voltage (dims down to 1%) and flicker-free dimming.

ZO driver is a driver that provides flicker-free dimming down to 1% using 0-10V dimming, and is IP65 rated for both indoor and outdoor use.

NN driver is a non-dimming, flicker-free driver that is IP65 rated for both indoor and outdoor use.

L3 driver is a 3-Wire driver from Lutron that has Hi-lume 1% EcoSystem and provides continuous and flicker-free dimming from 100%-1%

LP driver is a 3-Wire driver from Lutron that has Hi-lume Premier 0.1% FadeToBlack EcoSystem and provides continuous and flicker-free dimming down to 0.1% when paired with EcoSystem Lutron controllers.

- FEED: 18" of wire provided with connection to a longer wire inside the beginning module.
- EMERGENCY (Optional): Remote emergency battery pack provides backup power for 90 minutes. Remote emergency test switch included.

MOUNTING

- Mounting screws are provided to be attached to the channel; allowing for the channel to be mounted directly into the ceiling. There should be M3, self tapping screws installed at each corner of a segment. For segments with a width of over 12 in., please use an additional screw in the center of the segment to ensure stability.

CONSTRUCTION

- DIMENSIONS: 1.97" H
- HOUSING: Modular three piece housing with two curved side walls and a laser-cut back plate

LISTING/WARRANTY

- APPROVALS: UL/C-UL listed for dry and damp locations. IC rated.
- WARRANTY: 5 year limited warranty, ambient temperatures at fixture location should not exceed 40°C during normal operation.
- IP Protection: IP20
- CRI ≥ 95
- 50,000 hours lamp life
- US & International Patents

