

## LED Lighting System for 5/8" Drywall Walls/Ceilings


Project Name:

Fixture Type:

### DESCRIPTION

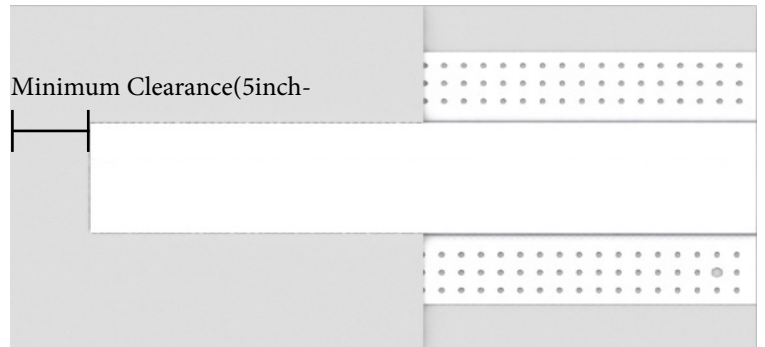
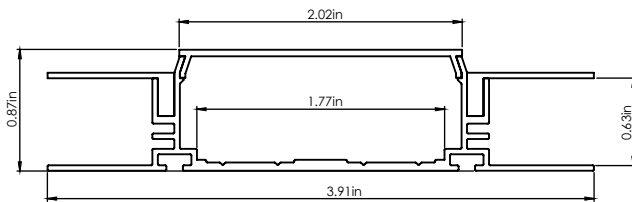
ZENLITE™ 2 inch is an LED Lighting System for 5/8" Drywall Walls/Ceilings. Our patent-pending design allows for projection of a clean horizontal, vertical and diagonal lines of light. Channel is installed directly to studs with 16-inch spacing screw holes.

### SPECIFICATIONS

- Dimension: 3.91" W x .87" H
- Housing: Anodized Aluminum extrusion cut with high precision equipment with up to 98% reflectivity on the inside. PVC flange with low thermal conductivity.
- Optics: Polycarbonate lens with continuous run up to 40ft.
- Ambient Temperature: -4°F ~ +113°F
- Input: 24V DC
- 1% Dimming (MLV/0-10V/Lutron)
- IP Protection: IP20
- 50,000 Hours Lamp Life
- CRI ≥ 95
- 5 Year Warranty
- US & International Patents Pending
- UL listed  for Dry and Damp Locations, UL IC rated.



### DIMENSIONS



\*Contact info@Preciseled.com For clearances less than 5 inches

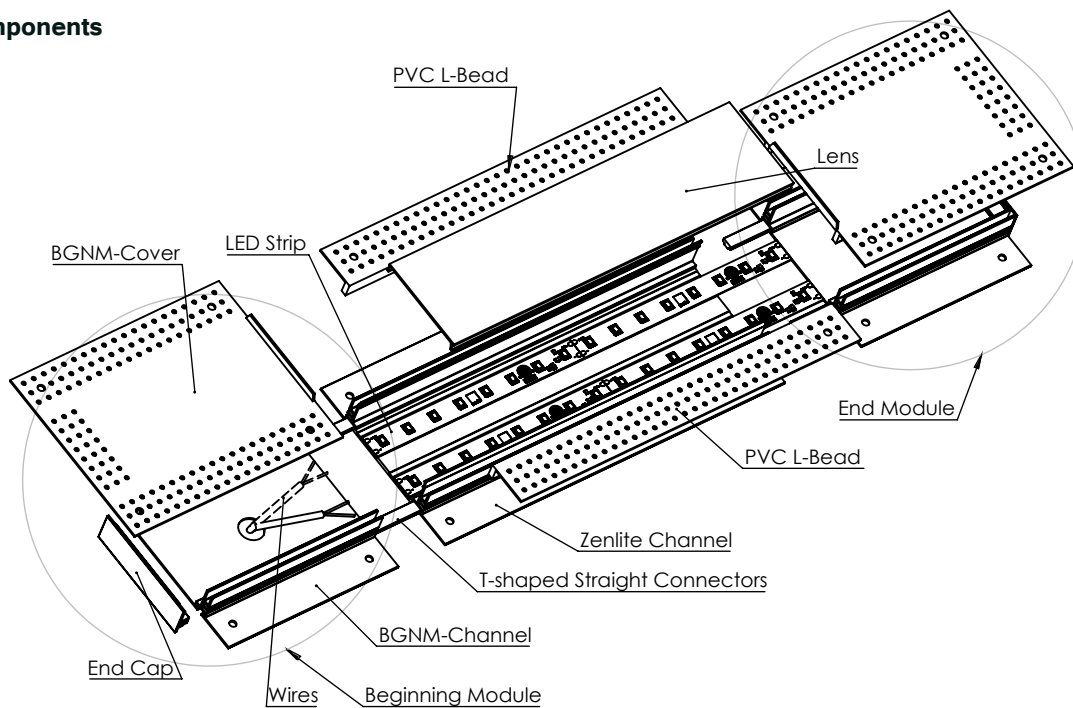
### ORDERING CODE

Example: **ZNLT-NC2-14-2COBE-24V-95C-27K-DLNS-MG**

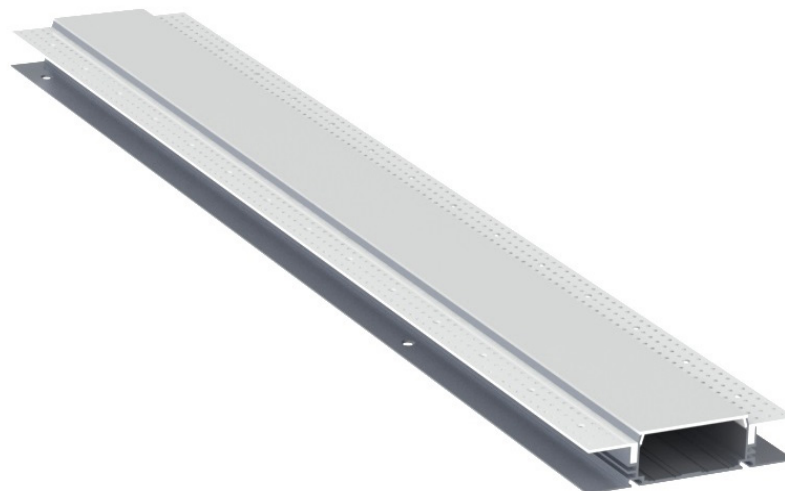
Product	Length	(Light Module) {Lumens/Foot* } [Watts/ft]	Volt	CRI
<b>ZNLT-NC2</b>	<b>XX</b> Length In Feet (Only) ft	<b>2HIHE</b> (2Hi Beam Hi Efficacy) {617} [8.8] <b>2COBE</b> (2Cool Beam) {1015} [12.48] <b>2HRGB</b> (2Red/Green/Blue)** [8.8] <b>2RGBW</b> (2Red/Green/Blue/White)** [11.78]	<b>24V- 24V</b>	<b>95C ≥ 95 CRI</b>
	OR In Inches (Only)			
	OR In Feet & Inches ft In	Max length of a Tapelight segment: (Based on Class 2 Circuit Adherence) HIHE- 20 Feet COBE- 12 Feet HRGB- 17.5 Feet RGBW- 13.12 Feet Note: (Longer lengths are possible. Consult info@PreciseLED.com)		
	Note: Lengths can be Specified down to 0.25 inch.	* Values with diffused lens only ** 95 CRI does not apply		

Color Temperature	Lens	Driver
<b>27K</b> 2700K	<b>CLNS</b> Clear*(1.13)	<b>MG</b> (1% Magnetic Dimming)
<b>30K</b> 3000K	<b>DLNS</b> Diffused	<b>ZO</b> (1% 0-10V Dimming)
<b>35K</b> 3500K	<b>OLNS</b> Opal*(0.74)	<b>NN</b> Non Dimming
<b>40K</b> 4000K	* Lumens/Foot get multiplied with the factor in parenthesis	<b>L2</b> Lutron Hilume 1% 2-wire
		<b>L3</b> Lutron Hi-lume 1% 3-wire/ Eco system
		<b>LP</b> Lutron Hi-lume Premier 0.1% Eco System/3-wire
		*Drivers are remotely mounted

## ■ Fixture Components


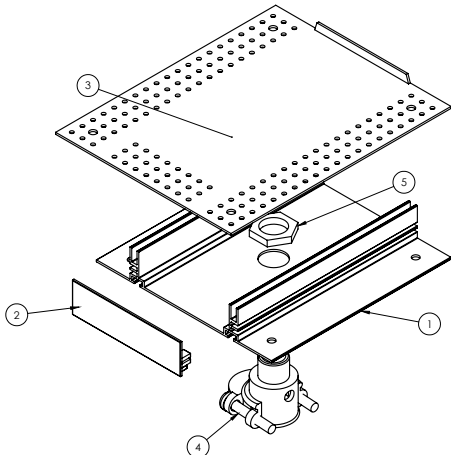
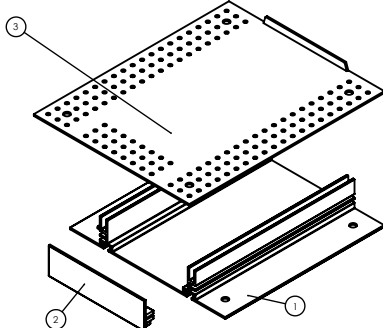
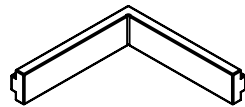



## ■ ASSEMBLED VIEW

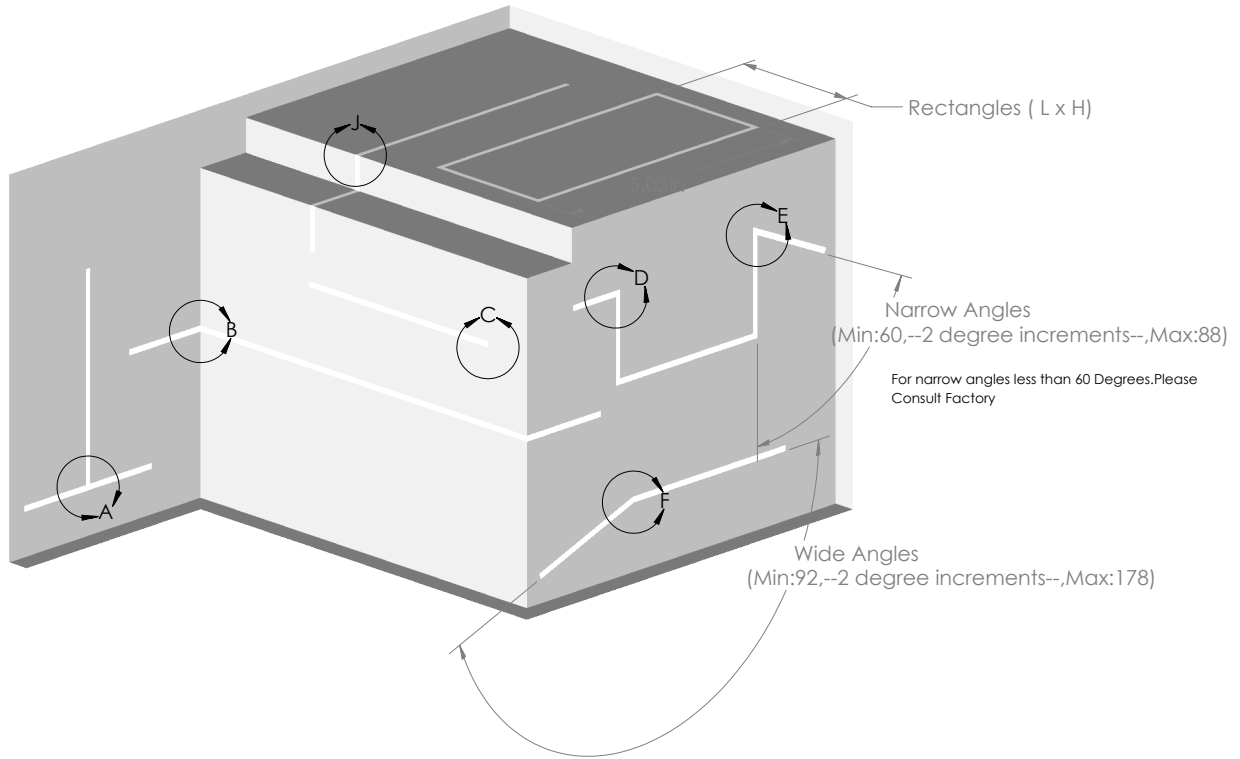


## ■ Additional Components

There are certain standard components that comes along the ZENLITE™ Lighting system for 5/8" drywall lighting system as follows:

Product	Image	Purpose
T-shape connector Length: 2 inches		To connect to straight ZENLITE™ Channels
Beginning Module  <b>Sub-Components:</b> 1. 4 in Channel with hole 2. End Cap 3. Channel Cover 4. BX Cable Connector 5. BX Connector Nut		To be attached at the beginning of ZEN-LITE™ channel by means of two T-shape connectors
End Module  <b>Sub-Components:</b> 1. 4 in Channel without hole 2. End Cap 3. Channel Cover		To be attached at the end of ZENLITE™ channel by means of two T-shape connectors
Outside corner T-shape connector Length: 1 x 1 inches		To connect to straight ZENLITE™ Channels at outside wall corners 90 Degrees
Inside corner T-shape connector Length: 1 x 1 inches		To connect to straight ZENLITE™ Channels at inside wall corners 90 Degrees

■ **CUSTOM CUT ORDERS**



DETAIL A  
T-JOINT  
TJ



DETAIL B  
OUTSIDE CORNER  
OC



DETAIL C  
STRAIGHT  
XX



DETAIL D  
RIGHT ANGLE  
RA90



DETAIL E  
NARROW ANGLE  
NAXX



DETAIL F  
WIDE ANGLE  
WAXX

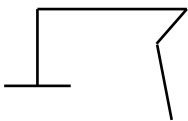


DETAIL J  
INSIDE CORNER  
IC

TYPE	DIMENSIONS	QTY
	OR x	Nos.
	OR x	Nos.
	OR x	Nos.
	OR x	Nos.
	OR x	Nos.

Note: List the cuts/features in the order of occurrence from left to right. Multiple spec-sheets can be used for multiple custom lengths/shapes. Please consult Factory for complex projects

■ **EXAMPLES**



TJ-20-RL-30-NL45-15-WL135-20



0-15 X 30 FT