

Curved LED Lighting System for New Construction - 5/8" Drywall Walls/Ceilings


Project Name:

Fixture Type:

DESCRIPTION

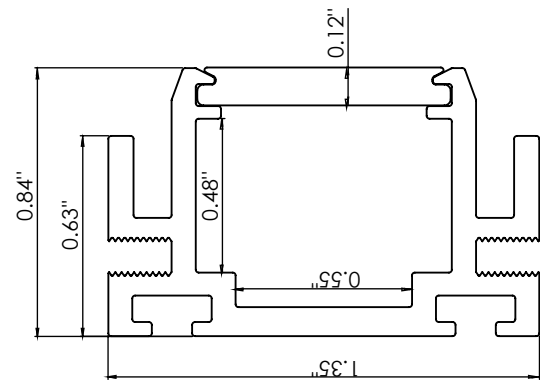
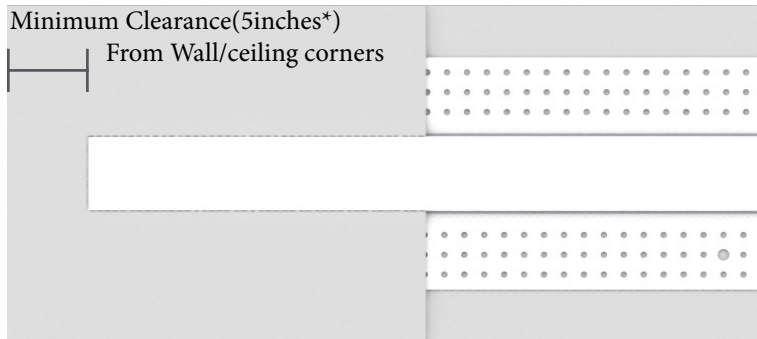
ZENLITE™ Arc1 is a curved LED Lighting System for 5/8" Drywall Walls/Ceilings that can be specified to any curvature of a 30" diameter and above. This fixture can be combined with Arc1 Pendant and Surface to create one continuous seamless light. ZENLITE™ Arc1, along with the rest of the ZENLITE™ series, allows for complete freedom of light design.

SPECIFICATIONS

- Dimensions: 1.35" W x .84" H
- Housing: Anodized Aluminum extrusion cut with high precision equipment with up to 98% reflectivity on the inside. PVC flange with low thermal conductivity.
- Optics: Silicone lens with UV surface, continuous run up to 40ft.
- Ambient Temperature: -4°F ~ +113°F
- Dimmable
- IP Protection: IP20
- 50,000 Hours Lamp Life
- CRI ≥ 95
- 5 Year Warranty
- US & International Patent, Patent No. US10125933B1
- UL Listed  for Dry or Damp Locations (Walls and Ceilings)



DIMENSIONS



ORDERING CODE

Example: **ZNLT-ARC1-AS-14-25A-2HIHE-24V-95C-27K-MG**

*Email: info@Preciseled.com for more information and/or clearances less than 5 inches

Product	Type	Length	Curve Angle	Light Module {Lumens/Foot*} [Watts/ft]
ZNLT-ARC1	ST -Straight AS -Arc segment CIR -Full Circle	XX Length In Feet (Only) ft OR In Inches (Only) In OR In Feet & Inches ft In Note: Lengths can be specified down to 0.25 inch. Leave blank for full circle (CIR)	XXA Degrees ° Or XXR Radius In Note: Leave blank for straight run, input 360deg for full circle. Use multiple sheets for combination of runs. Minimum radius is 15".	2BEAM 2 Beam {248 lm/ft} [5.86Watts/ft] 2HIHE 2 Hi Beam Hi Efficacy {287} * [8.8Watts/ft] 2COBE 2 Cool Beam {480} * [12.5Watts/ft] 2HRGB **2 Red/Green/Blue [8.8Watts/ft] 2HRGW **2 Red/Green/Blue/White*** [11.7Watts/ft] * Values with diffused lens only ** 95 CRI does not apply *** Available with 3000K and 4000K Only

■ **ORDERING CODE (CONT.)**

Voltage	CRI	Color Temperature	Driver
24V-24V	95C ≥ 95 CRI	27K 2700K 30K 3000K 35K 3500K 40K 4000K	MG (1% Magnetic Dimming) ZO (1% 0-10V Dimming) NN Non Dimming L2 Lutron Hi-lume 1% 2-wire L3 Lutron Hi-lume 1% 3-wire/ Eco system LP Lutron Hi-lume Premier 0.1% Eco Sys-tem/3-wire

■ **PRODUCTION OPTIONS** (Optional for Lighting designers)

A- Ship channels and flanges in 8 feet lengths (Default for lengths greater than 8 feet)

Note: It will exclude any non-45 degree angles required, which must be cut by PreciseLED factory

B- Precut channels and flanges to desired lengths (Default for lengths less than 8 feet)

Note: Exact field measurements with drawings must be provided, factory does not take responsibility for field measurement errors.

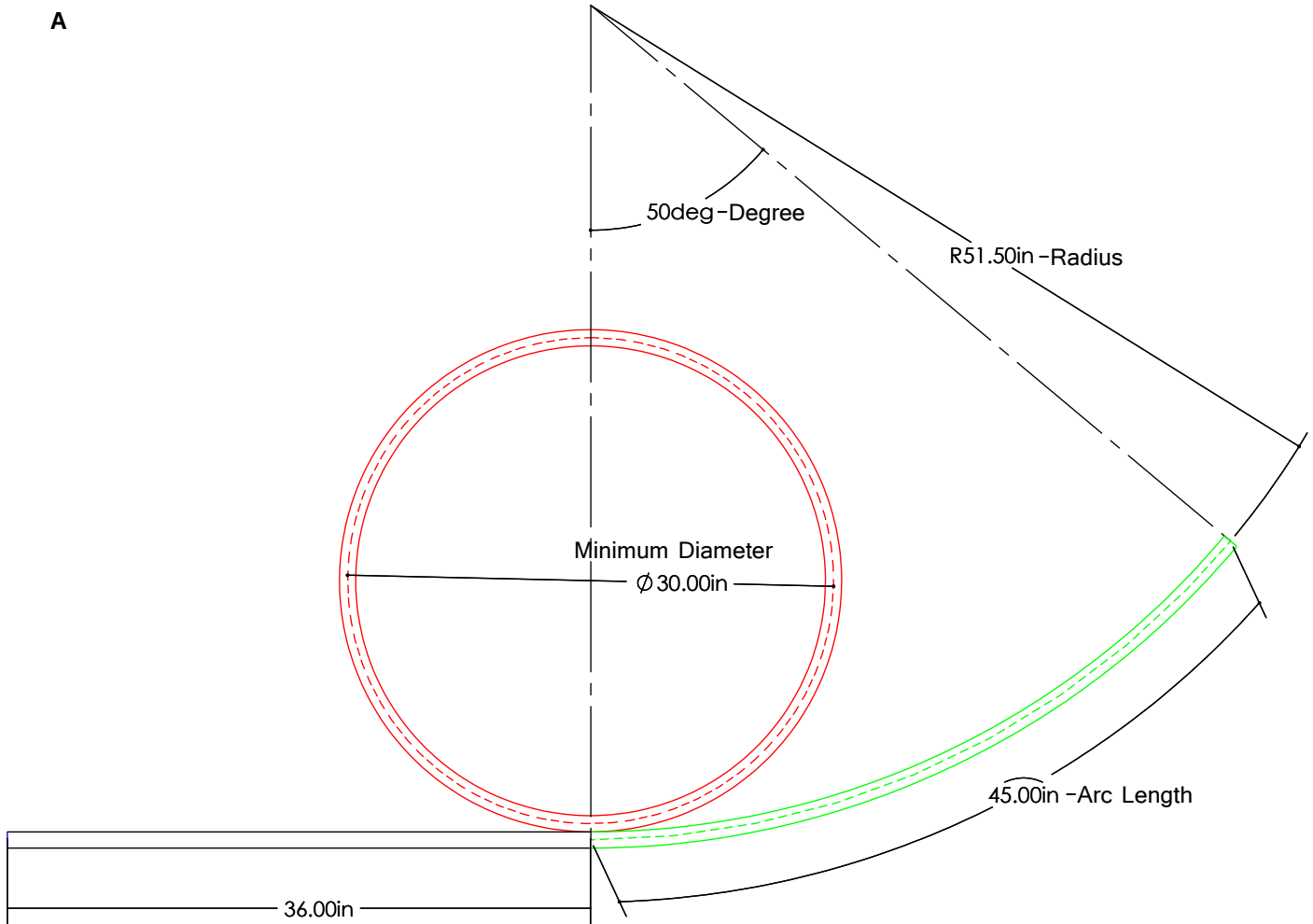
C- Ship fixture preloaded with led module.

Note: This option is only available in lengths ≤ 8 feet

Exact field measurements must be provided, factory does not take responsibility for field measurement errors.

Note: Aluminum Channels and PVC flanges come in a maximum available length of 8 feet. Seamless lens can be shipped in roll lengths upto 40 feet. For fixtures longer than 8ft, multiple 8ft channels need to be joined together by means of straight Channel connectors.

■ Types of Zenlite Arc Channels:



Black: Straight Zenlite Arc
Order info: Length

Red: Full circle of Zenlite Arc
Order info: Radius

Green: Arc Segment of Zenlite Arc
Order info: Radius and Length/
Degree

Sample Order Code:

Black:

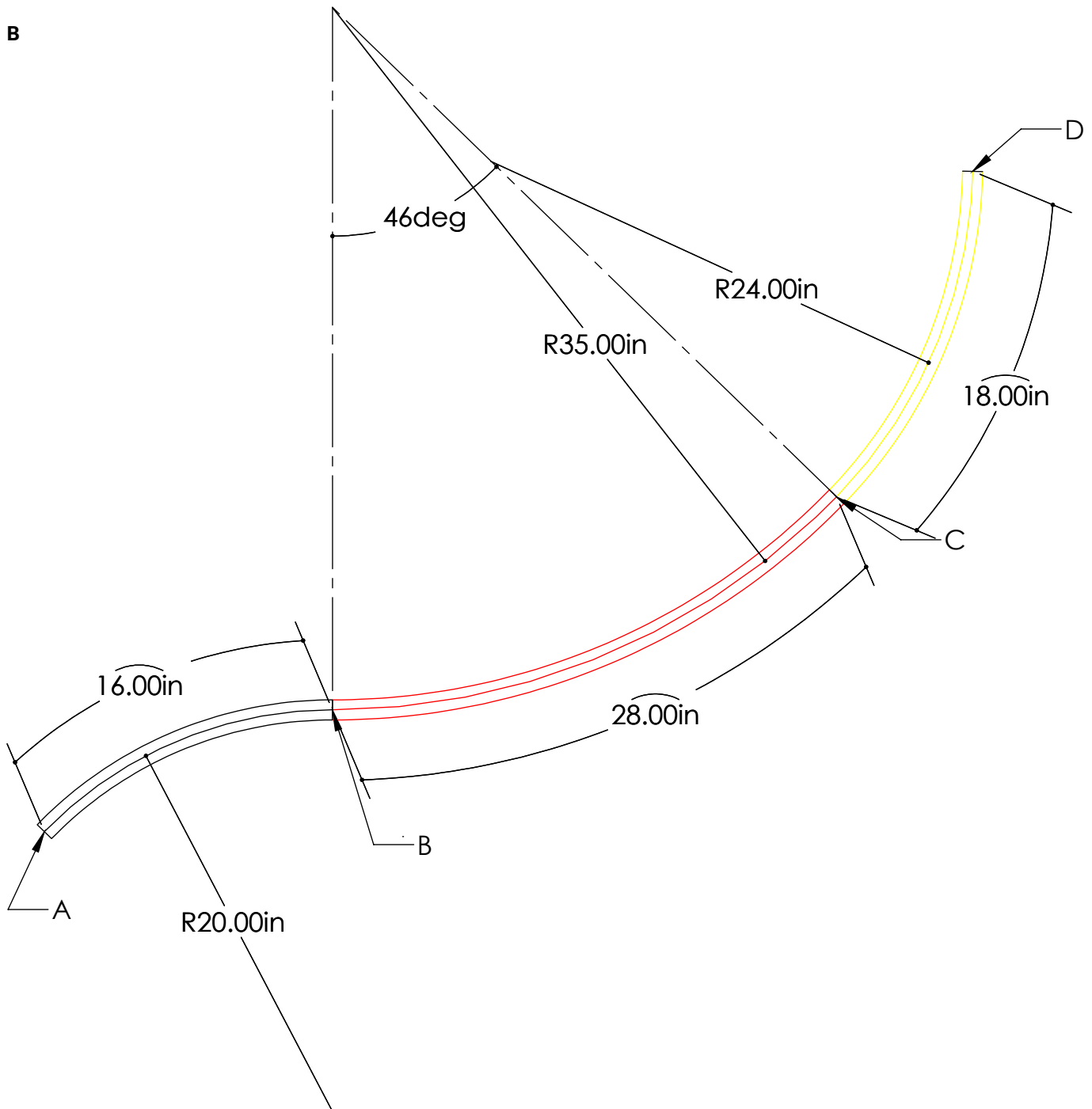
ZNLT-ARC1-ST-36-2HIHE-24V-95C-27K-MG

Red:

ZNLT-ARC1-CIR-15R-2HIHE-24V-95C-27K-MG

Green:

ZNLT-ARC1-AS-45-50D(or51.5R)-2HIHE-24V-95C-27K-MG



**Arcs with different radii should be separated into different segments.
For Example: Arc \widehat{AD} should be divided into Arc \widehat{AB} , Arc \widehat{BC} and Arc \widehat{CD} .**

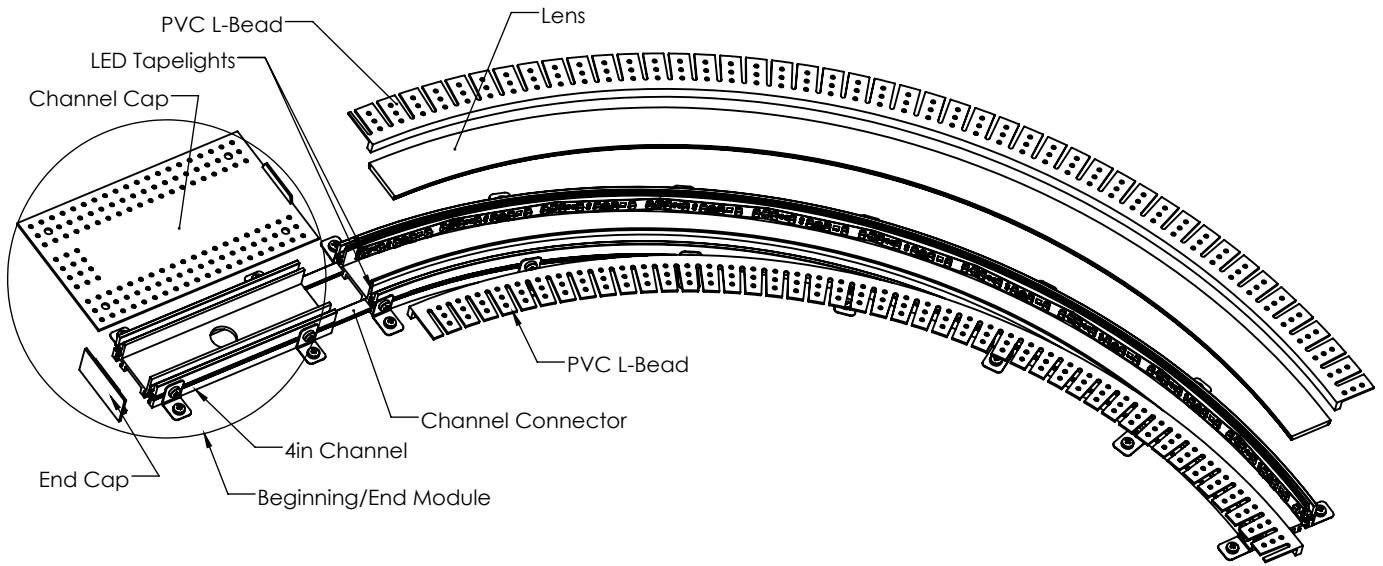
Sample Order Code:

ZNLT-ARC1-AS-16-20R-2HIHE-24V-95C-27K-MG

ZNLT-ARC1-AS-28-46D(or35R)-2HIHE-24V-95C-27K-MG

ZNLT-ARC1-AS-18-24R-2HIHE-24V-95C-27K-MG

■ TYPICAL INSTALLATION



■ ASSEMBLED VIEW

