

ZENLITE® ASYMMETRICAL

LED Lighting System for 5/8" Drywall Ceilings/Walls

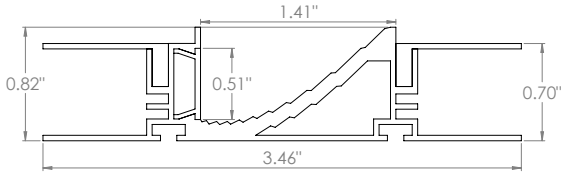
Project Name: _____

Fixture Type: _____

DESCRIPTION

ZENLITE® ASYMMETRICAL is an LED Lighting System designed for 5/8" drywall ceilings and walls, and is the thickness of the drywall itself, requiring no special framing. Our unique design allows for projection of uniform light over walls/ceilings for an unmatched grazing effect, designed to accentuate spaces. ZENLITE® ASYMMETRICAL is installed directly to studs with 16-inch spacing screw holes.

DIMENSIONS



Color Temp	27K	30K	35K	40K
Multiplier	0.82	1	1.13	1.22

Color	Clear Lens	Diffuse Lens	Opal Lens
Metallic	57%	53%	33%
White	64%	60%	37%

ORDERING CODE


Example: **ZNLT-AS1.5-14-HIHE-24V-95C-27K-DLNS-MG-BK**

Product	Length	Light Module Cuttable Length Watts Per Feet	CRI	Volt
ZNLT-AS1.5			95C	24V
ZNLT-AS1.5	XX Length In Feet (only) ft	HIHE Hi Beam Hi Efficacy 2.46 inch 4.4 W/ft COBE Cool Beam 2.46 inch 6.2 W/ft * This number is referring to the source lumen output. For the actual lumen output please multiply by the percentage values in the table above	95C ≥ 95 CRI	24V- 24V

Color Temperature	Lens	Driver	Color	Housing
22K 2200K 24K 2400K 27K 2700K 30K 3000K 35K 3500K 40K 4000K	CLNS Clear DLNS Diffused OLNS Opal	MG (1% Magnetic Dimming) ZO (1% 0-10V Dimming) NN Non Dimming L3 Lutron Hi-lume 1% 3-wire/ EcoSystem (40W max.) LP Lutron Hi-lume Premier 0.1% FadeToBlack EcoSystem/3-wire Drivers are remotely mounted	BK Black WH White ML Metallic CS Custom * * Contact Preciseled for custom colors available.	ST Standard (Default) CP Chicago Plenum


COMPATIBLE TAPE LIGHT DRIVERS

Lutron Dimming Drivers




LA & LP Series

Wet Location 0-10V Dimmable Drivers



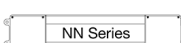
ZO Series

Magnetic Dimming Drivers




MG Series

Wet Location Non-Dimming Drivers



NN Series

Plug-In Drivers



PI Series

Click [here](#) for a more detailed driver overview.

PRODUCTION OPTIONS (Optional for Lighting designers)

OPTION A

Ship channels in 8ft lengths
(Default for lengths greater than 8 ft)

Note: It will exclude any non-45 degree angles required, which must be cut by PreciseLED factory.

OPTION B

Precut channels to desired lengths
(Default for lengths less than 8ft)

Note: Exact field measurements must be provided, factory does not take responsibility for field measurement errors.

OPTION C

Ship fixture preloaded with LED module

Note: This option is only available for lengths \leq 8 ft. Exact field measurements must be provided, factory does not take responsibility for field measurement errors.

Note: The maximum length of a single channel is 8ft. For runs that are longer than 8ft, multiple 8ft channels need to be join together by means of straight channel connectors. Seamless lenses can be shipped in rolls of lengths up to 40 feet.

SPECIFICATIONS

LED SYSTEM

- LED ENGINE: 2700K, 3000K, 3500K, 4000K
Dimmable with compatible drivers.
- CRI: Minimum 95 color rendering index
- COLOR CONSISTENCY: 3-step binning LEDs
- OPTICS: Polycarbonate lens with clear, diffused, or opal lens available and field changeable. Able to run continuously up to 40ft.

ELECTRICAL

- STANDARD DRIVER: 120-277VAC, drivers are mounted remotely.
MG: Forward phase 1% magnetic low voltage dimming (dims down to 1%) and flicker free
ZO: 1% 0-10V dimming, flicker free, and IP65 rated for both indoor and outdoor use
NN: Non dimming, flicker free, and IP65 rated for both indoor and outdoor use
LUTRON DRIVER L3: Hi-lume 1% EcoSystem 3-Wire Driver, provides continuous and flicker free dimming from 100% to 1%.
LUTRON DRIVER LP: Hi-lume Premier 0.1% FadeToBlack EcoSystem 3-Wire Driver, provides continuous and flicker free dimming down to 0.1% when used with EcoSystem Lutron controls.
- FEED: 18" of wire provided with connection to a longer wire inside the beginning module.
- EMERGENCY (Optional): Remote emergency battery pack provides backup power for 90 minutes. Remote emergency test switch included.

MOUNTING

Proprietary design allows the fixture to be mounted directly onto studs first and accommodates 5/8" drywalls or ceilings. Contains prepunched holes spaced 16" apart with the option for additional holes to be drilled into the rear flange for versatility.

CONSTRUCTION

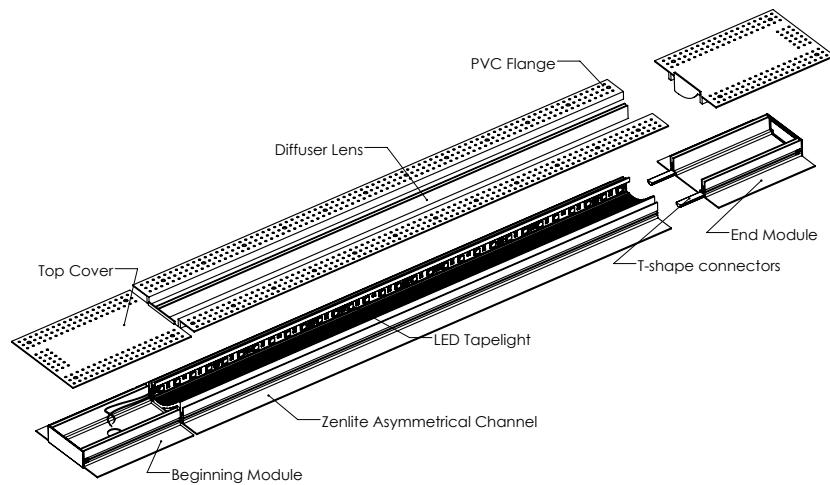
- DIMENSIONS: 3.46"W x .82" H
- HOUSING: Anodized aluminum extrusion cut with high precision equipment with up to 98% reflectivity on the inside. PVC flange with low thermal conductivity to prevent heat from spreading to the surface of the paint/spackle.
- HOUSING FINISH: Powder coated white by default; with black and metallic available, and the option for custom colors. This provides the channel with a smooth finish and a defined color.

LISTING/WARRANTY

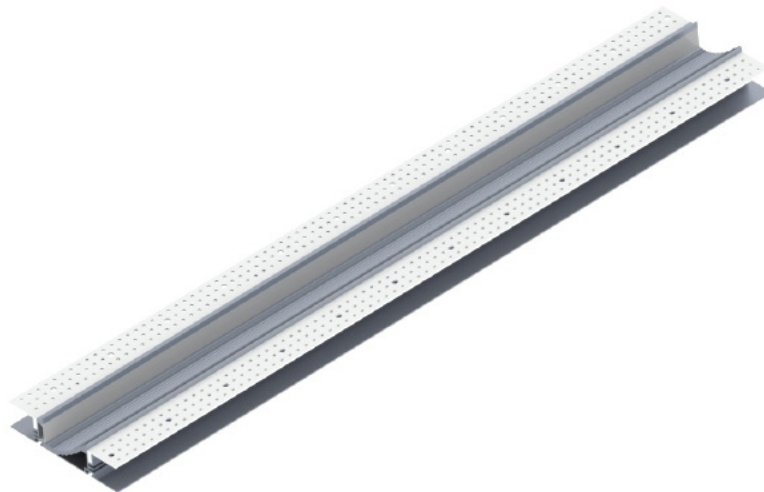
- APPROVALS: UL/C-UL listed for dry and damp locations. IC rated.
- WARRANTY: 5 year limited warranty, ambient temperatures at fixture location should not exceed 40°C during normal operation.
- IP Protection: IP20
- Suitable for damp location
- CRI \geq 95
- 50,000 hours lamp life
- US & International Patents



■ FIXTURE COMPONENTS

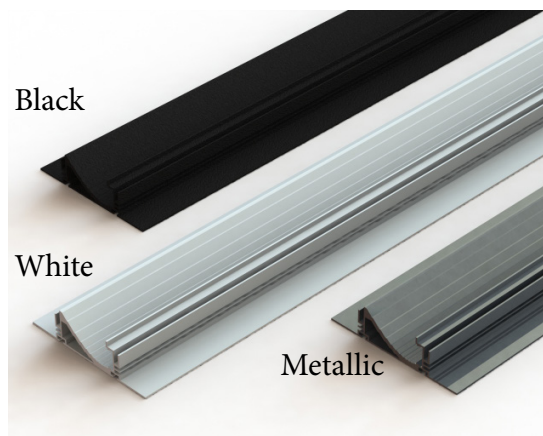


■ ASSEMBLED VIEW



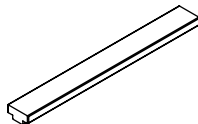
■ AVAILABLE COLORS

Zenlite Asymmetrical is available in three standard colors Black, White and Metallic finish to meet your aesthetic needs. Several other colors can be ordered through special orders. Contact PreciseLED for more details.

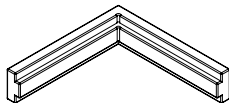


■ ADDITIONAL COMPONENTS

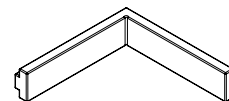
There are certain standard components that comes along the ZENLITE® ASYMMETRICAL Lighting system for 5/8" drywall lighting system as follows:



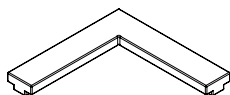
T-shape Connector
Length: 2 inches
Purpose: To connect to straight ZENLITE® Channels
Part #: **ZNLT-CNCT-STRT**



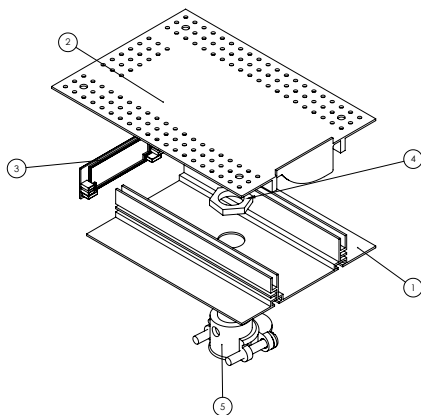
Outside T-shape Connector
Length: 1 x 1 inches
Purpose: To connect to straight ZENLITE® Channels at outside wall corners at 90 deg
Part #: **ZNLT-CNCT-OS90**



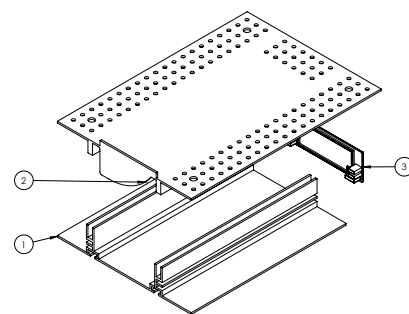
Inside T-shape Connector
Length: 1 x 1 inches
Purpose: To connect to straight ZENLITE® Channels at inside wall corners at 90 deg
Part #: **ZNLT-CNCT-IN90**



T-Shape Connector - ZIGZAG
Length: 1 x 1 inches
Purpose: To connect to straight ZENLITE® Channels trimmed at 45 Degrees to form a 90 Degree bend
Part #: **ZNLT-CNCT-ZG90**



Beginning Module
Length: 5 inches
Purpose: To be attached at the beginning of ZENLITE® channel by means of two T-shape connectors
Sub-Components:
1. 4 in Channel
2. End Cap
3. Channel Cover
4. BX Cable Connector
5. BX Connector Nut
Part #: **ZNLT-BGNM-AS1.5**



End Module
Length: 5 inches
Purpose: To be attached at the beginning of ZENLITE® channel by means of two T-shape connectors
Sub-Components:
1. 4 in Channel
2. End Cap
3. Channel Cover
Part #: **ZNLT-ENDM-AS1.5**

Wall Wash Footcandle Distribution
COBE 3000K Version

