

# ZENLITE® Cove Arc

## Instruction Sheet

- For your safety, read and understand instructions completely before starting installation

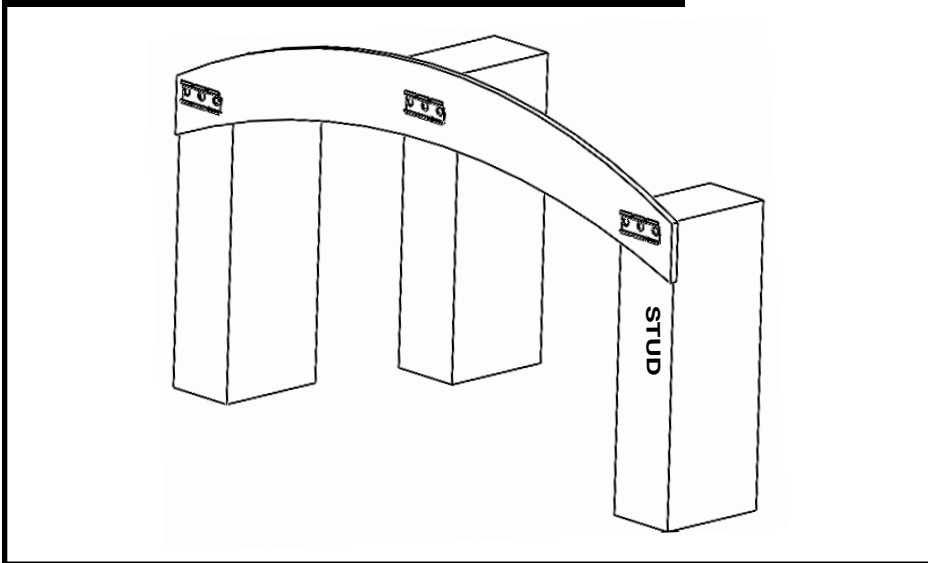
**Note:** PreciseLED fixtures are designed to meet the latest NEC requirements and are listed in full compliance with UL 1598. Before attempting installation of any lighting fixture, check your local electrical building code. This code sets the wiring standards and installation requirements for your locality and should be understood before starting work. If fixture is to be switch from wall switch or dimmer, make sure black supply wire properly connected to switch or dimmer (follow switch/dimmer instructions).

- **WARNING:**

1. Before wiring to power supply, turn off electricity at the fuse or circuit break box.
2. Always have installation performed by a licensed electrician.

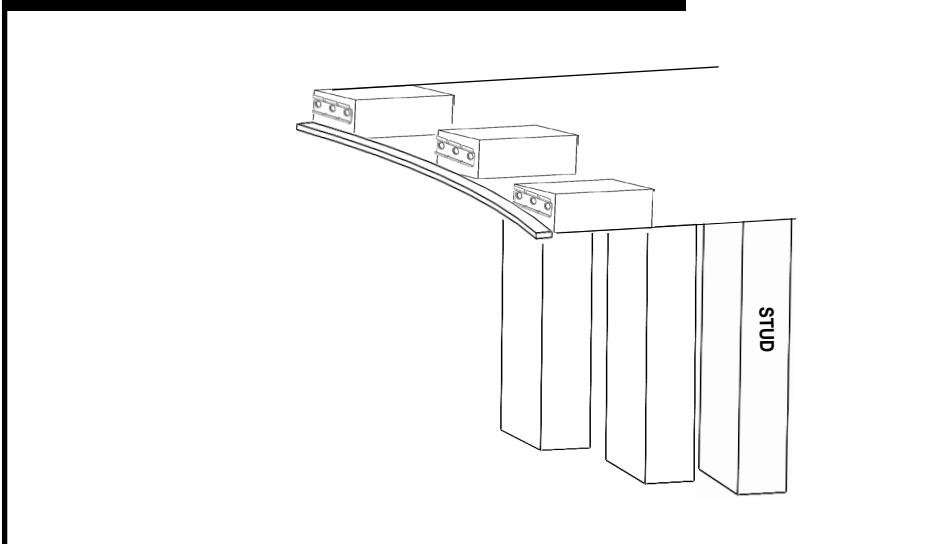
- **FIXTURE INSTALLATION**

### 1. Mounted to Studs



1. Place the ZENLITE® Cove Arc mounting brackets at the desired location aligning its holes with the studs. Mount the brackets with three M3x16 Flat head countersunk screws (each) at each stud.

### 1a. Mounted to Soffit

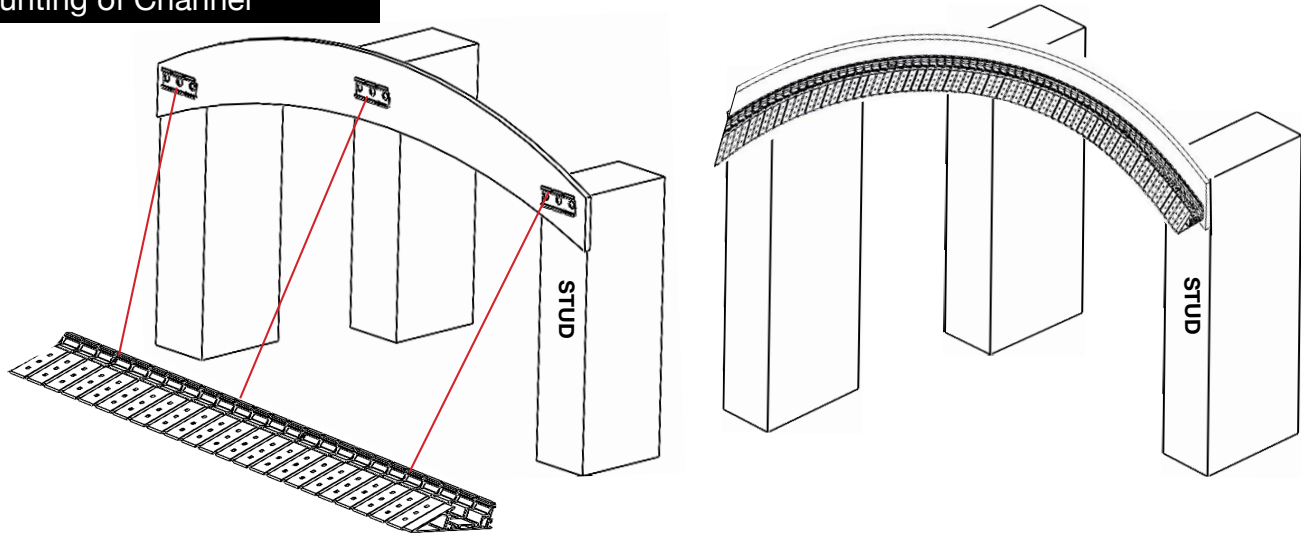


- 1a. Place the ZENLITE® Cove Arc mounting brackets at the desired location over the blocking. Mount each bracket with three M3x16 Flat head countersunk screws. The remaining instructions are also applicable for installing this channel on soffit.

# ZENLITE® Cove Arc

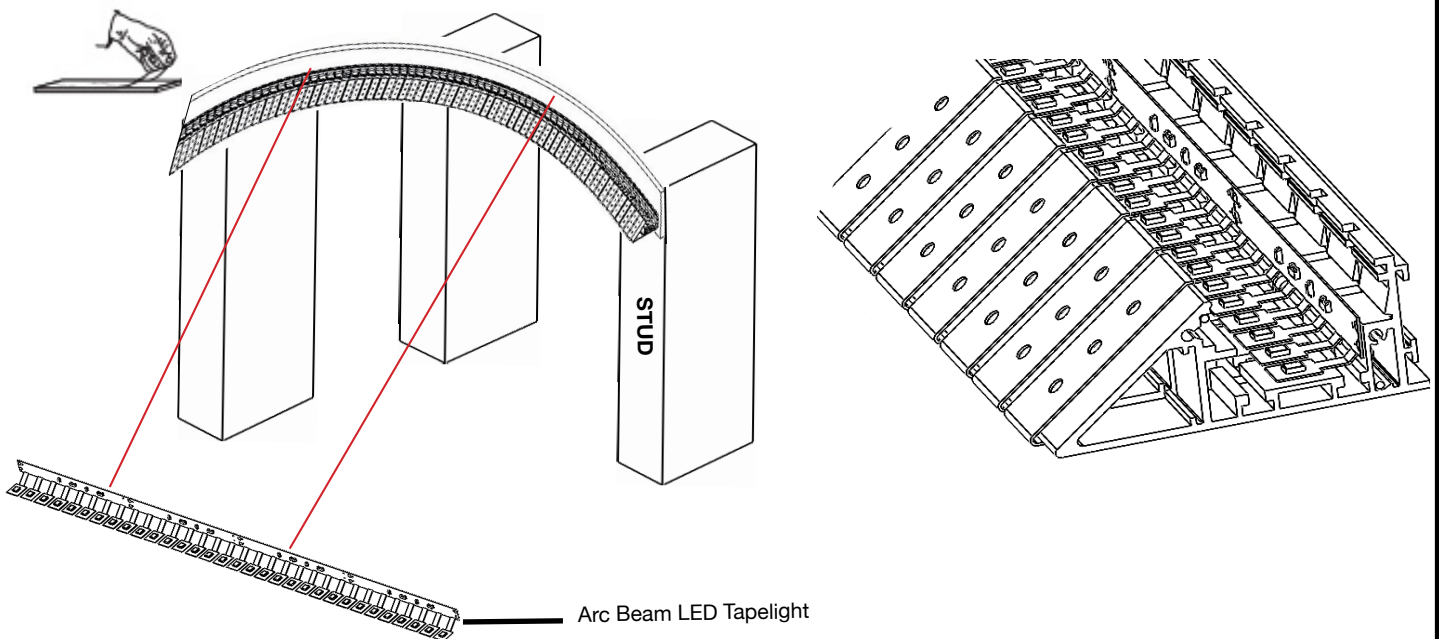
Instruction Sheet

## 2. Mounting of Channel



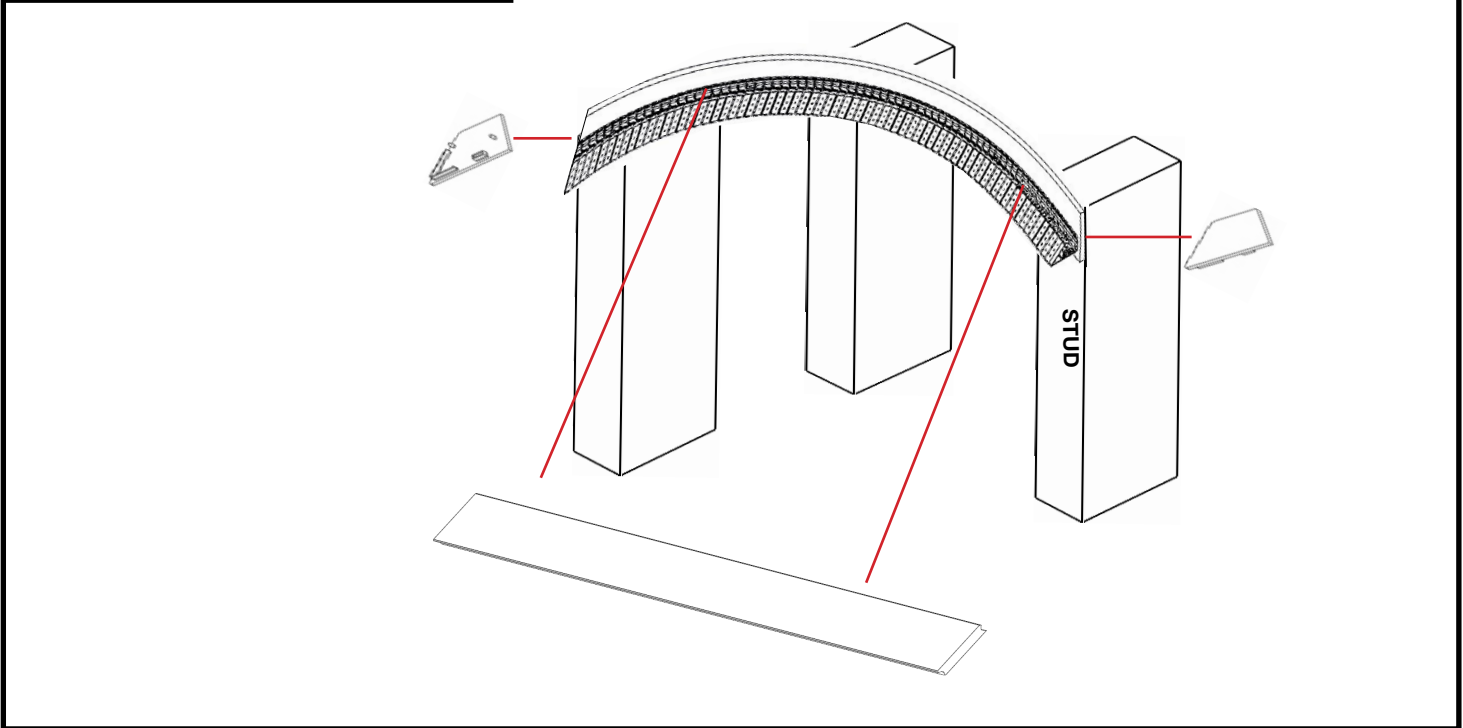
2. Place the ZENLITE® Cove Arc fixture onto the mounting bracket and snap it in place. The channel is designed with flexibility allowing it to curve around an arc-shaped wall. (Note: The fixture is field bent with a minimum radius of 15".)

## 3. Installation of LED Tapelights



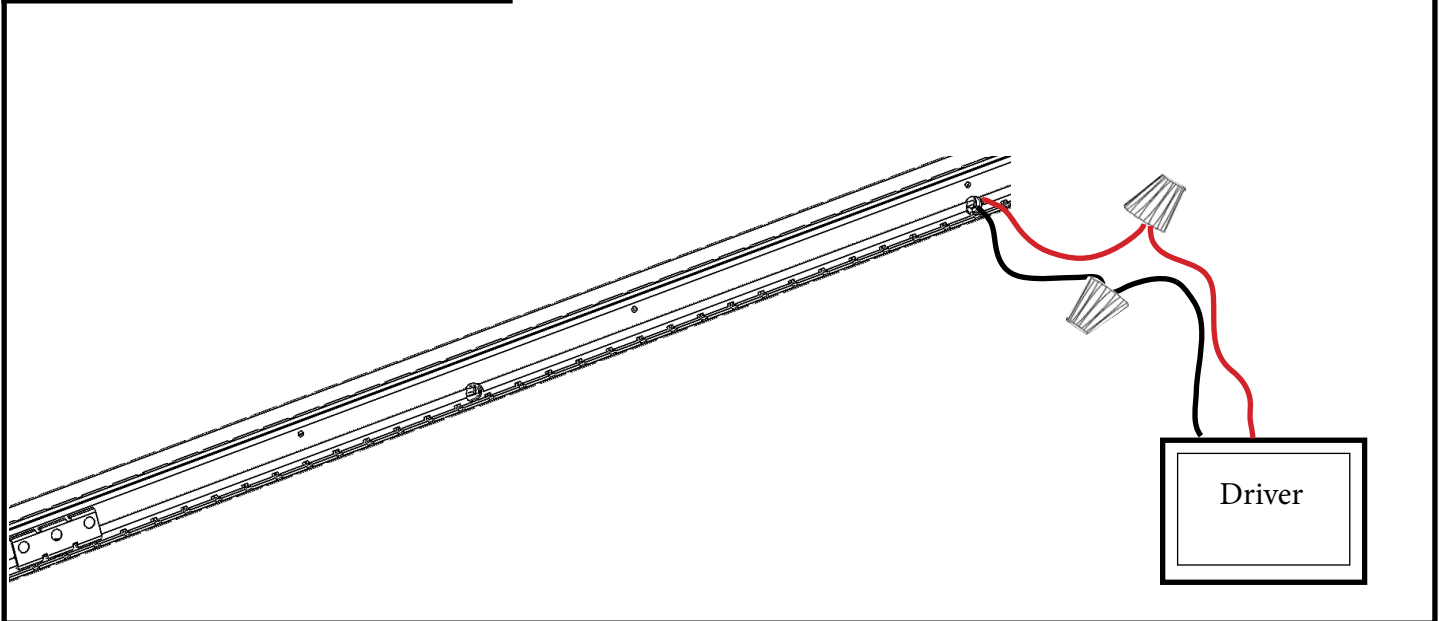
3. Remove The 3M adhesive backings on the tapelight and place it onto the side of the channel shown in the image above. The Arcbeam tapelight is designed to curve along with the channel. Make sure that the diodes are evenly spaced. (Note: It is recommended to **gently** bend the tapelight at 90 degrees for smoother installation.)

## 4. Installation of Silicone Lens



4. Install the provided lens and endcaps in place. The silicone lens is designed to curve along with the channel.

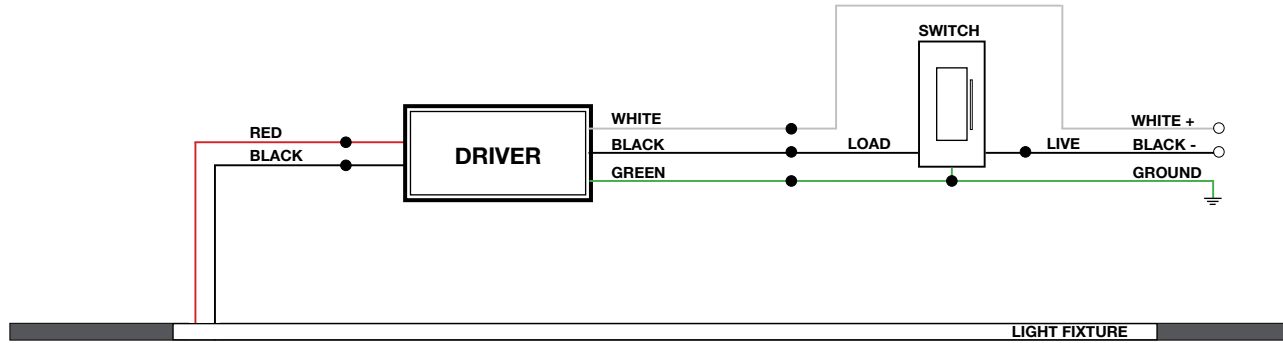
## 5. Wiring



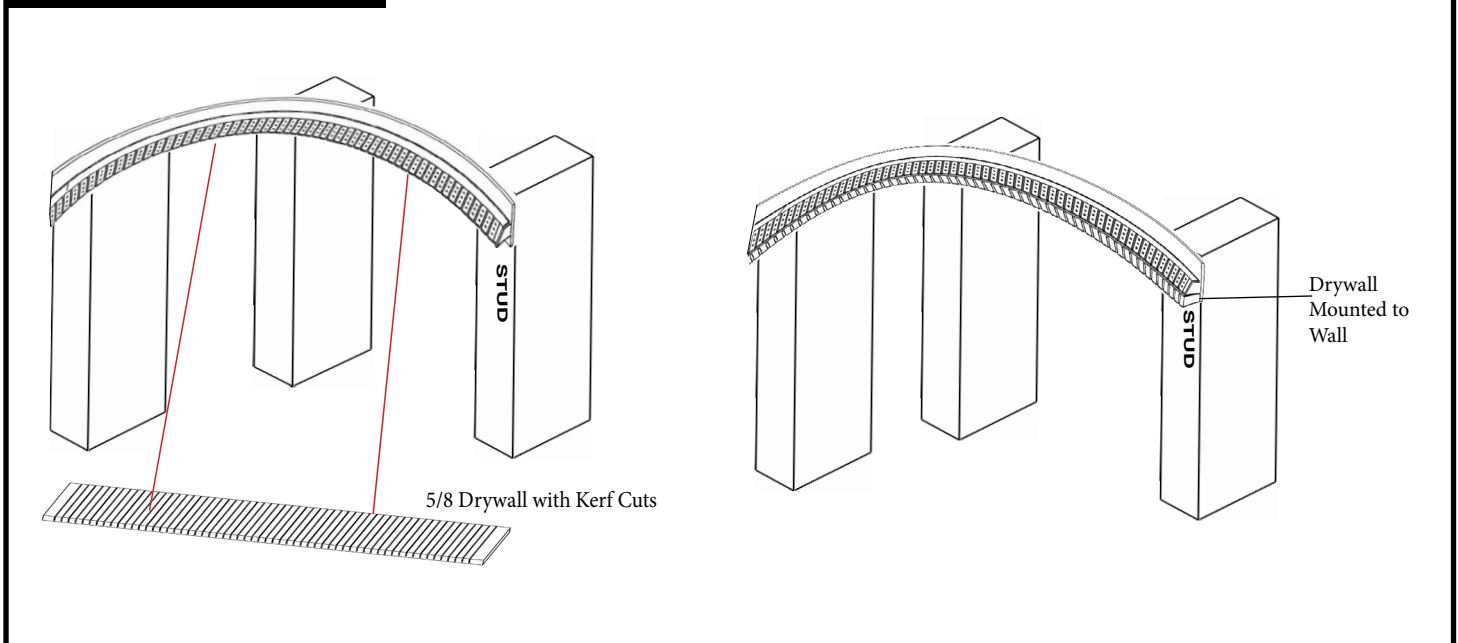
5. The LED module can be wired through a hole in the back of the channel. Connect the wires to the driver using the wiring diagram found on pg.4.

## WIRING DIAGRAM

Wiring diagram for a typical installation of the light fixture with a compatible driver and switch.



## 6. Installation of Drywall

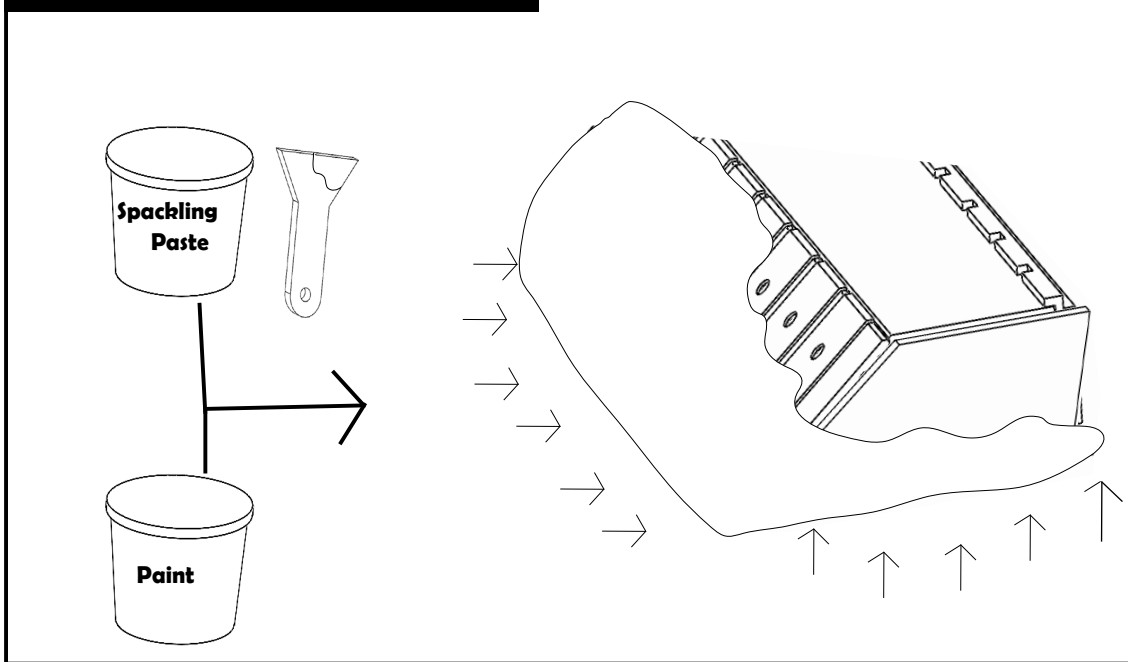


6. Make kerf cuts on 5/8" drywall so it can be bent around the curved wall. Mount with appropriate screws in aesthetic finish.

# ZENLITE® Cove Arc

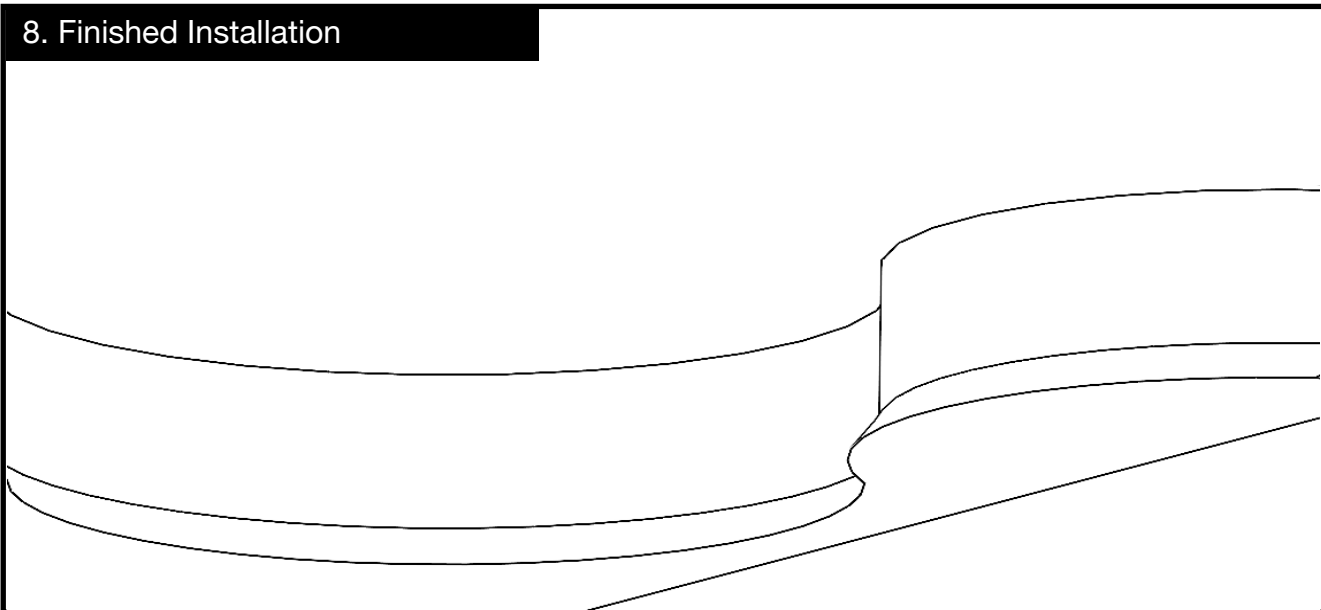
## Instruction Sheet

### 7. Spackle



7. Spackle and then paint the area surrounding the fixture for a smoother appearance.

### 8. Finished Installation



8. Once the enclosure is properly secured, apply a fine quality plaster to give the final touch to the wall.