


LED Lighting System for New Construction - 5/8" Drywall Walls/Ceilings

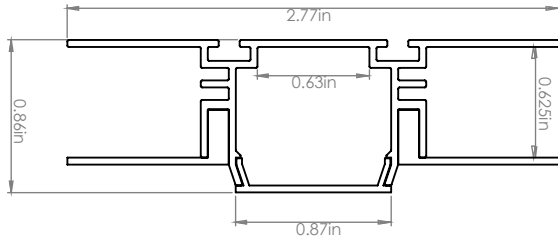
DESCRIPTION

ZENLITE™ NC1 is an LED Lighting System for 5/8" Drywall Walls/Ceilings. Our patent-pending design allows for projection of a clean horizontal, vertical and diagonal lines of light. Channel is installed directly to studs with 16-inch spacing screw holes.

SPECIFICATIONS

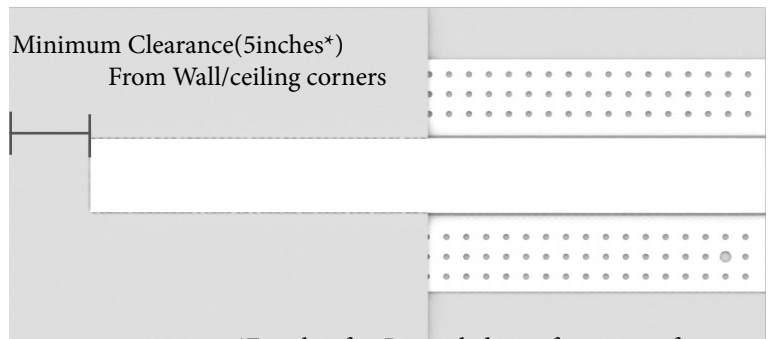
- Dimension: 2.77"W x .87" H
- Housing: Anodized Aluminum extrusion cut with high precision equipment with up to 98% reflectivity on the inside. PVC flange with low thermal conductivity.
- Optics: Polycarbonate lens with continuous run up to 40ft.
- Ambient Temperature: -4°F ~ +113°F
- Input: 24V DC
- 1% Dimming (MLV/0-10V/Lutron)
- IP Protection: IP20
- 50,000 Hours Lamp Life
- CRI ≥ 95
- 5 Year Warranty
- US & International Patents Pending
- UL Listed  for Dry or Damp Locations, UL IC rated.

DIMENSIONS



Project Name:

Fixture Type:



*Email: info@Preciseled.com for more information and/or clearances less than 5 inches

ORDERING CODE

Example: **ZNLT-NC1-14-HIBE-24V-95C-27K-DLNS-MG**

Product	Length	(Light Module) {Lumens/Foot*} [Watts/ft]	Volt	CRI
ZNLT-NC1	XX Length	BEAM (Beam) {92} [2.93]	24V- 24V	95C ≥ 95 CRI
	In Feet (Only) ft	HIHE (Hi Beam Hi Efficacy) {213} [4.4]		
	OR	COBE (Cool Beam) {337} [6.24]		
	In Inches (Only)	HRGB (Red/Green/Blue)** [4.4]		
	OR	HRGW (Red/Green/Blue/White)** [5.85]		
	In Feet & Inches ft In	Max length of a Tapelight segment: (Based on Class 2 Circuit Adherence) HIHE- 20 Feet COBE- 12 Feet BEAM- 40 Feet HRGB- 17.5 Feet HRGBW- 13.12 Feet Note: (Longer lengths are possible. Consult info@PreciseLED.com)		
	Note: Lengths can be Specified down to 0.25 inch.	* Values with diffused lens only ** 95 CRI does not apply		

■ **ORDERING CODE (CONT.)**

Color Temperature	Lens	Driver
27K 2700K	CLNS Clear*(1.13)	MG (1% Magnetic Dimming)
30K 3000K	DLNS Diffused	ZO (1% 0-10V Dimming)
35K 3500K	OLNS Opal*(0.74)	NN Non Dimming
40K 4000K	* Lumens/Foot get multiplied with the factor in parenthesis	L2 Lutron Hilume 1% 2-wire
		L3 Lutron Hi-lume 1% 3-wire/ Eco system
		LP Lutron Hi-lume Premier 0.1% Eco System/3-wire
		*Drivers are remotely mounted

■ **PRODUCTION OPTIONS** (Optional for Lighting designers)

A- Ship channels and flanges in 8 feet lengths (Default for lengths greater than 8 feet)

Note: It will exclude any non-45 degree angles required, which must be cut by PreciseLED factory

B- Precut channels and flanges to desired lengths (Default for lengths less than 8 feet)

Note: Exact field measurements must be provided, factory does not take responsibility for field measurement errors. Prepunched holes (every 16") in rear of fixture may not match stud location, additional drilling may be required

C- Ship fixture preloaded with led module.

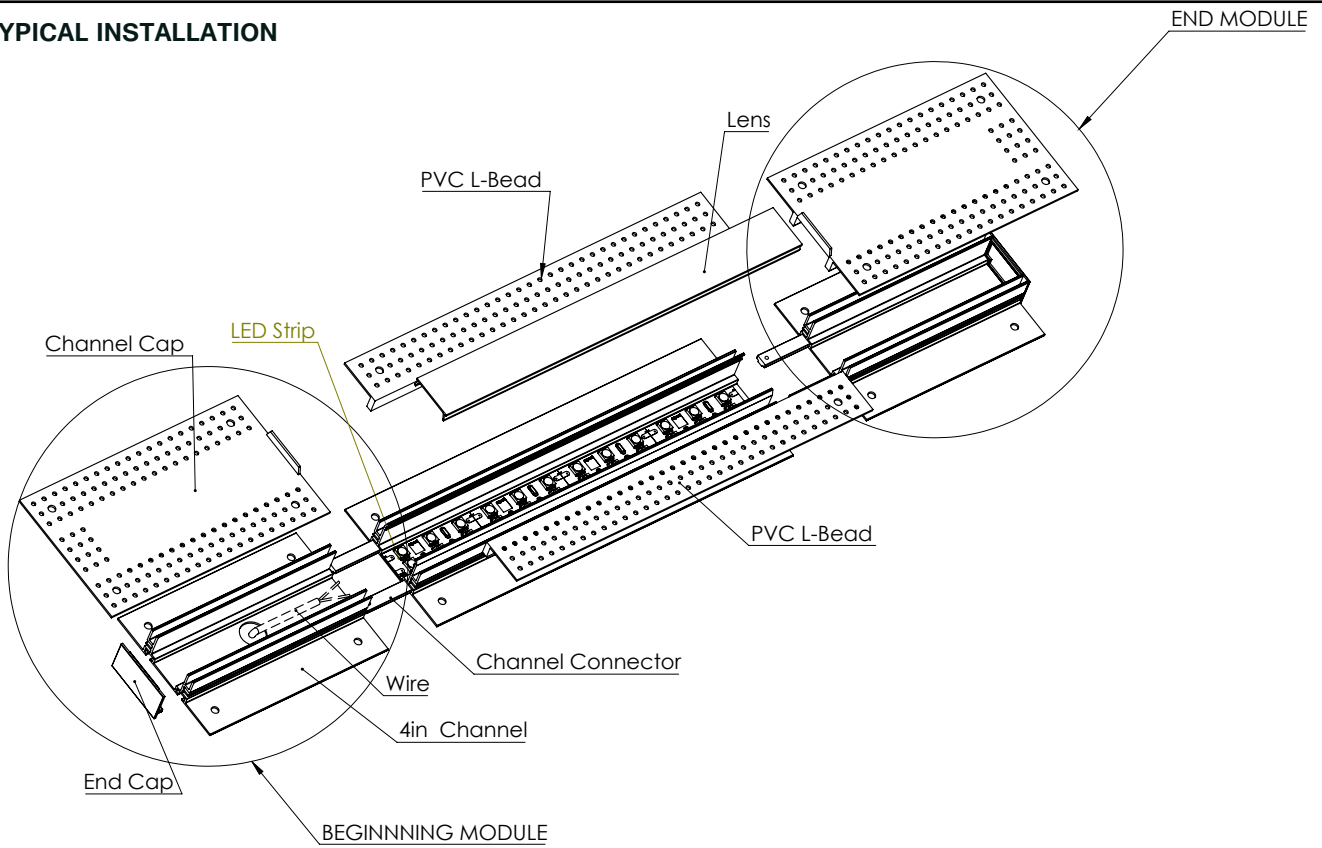
Note: This option is only available in lengths ≤ 8 feet

Exact field measurements must be provided, factory does not take responsibility for field measurement errors.

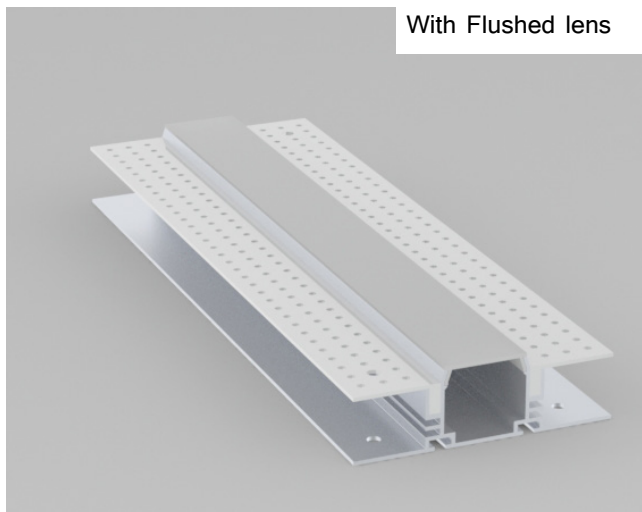
Prepunched holes (every 16") in rear of fixture may not match stud location, additional drilling may be required

Note: Aluminum Channels and PVC L-Beads come in a maximum available length of 8 feet. Seamless Lens can be shipped in roll lengths upto 40 feet. For fixture longer than 8ft. Multiple 8ft channels need to be join together by means of straight Channel connectors shown in Typical Assembly Pg.03

■ TYPICAL INSTALLATION

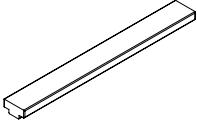
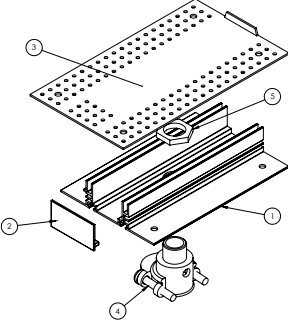
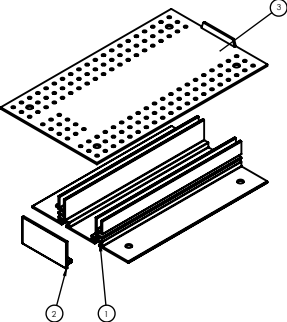
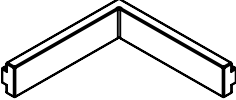
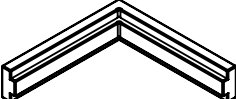


■ ASSEMBLED VIEW

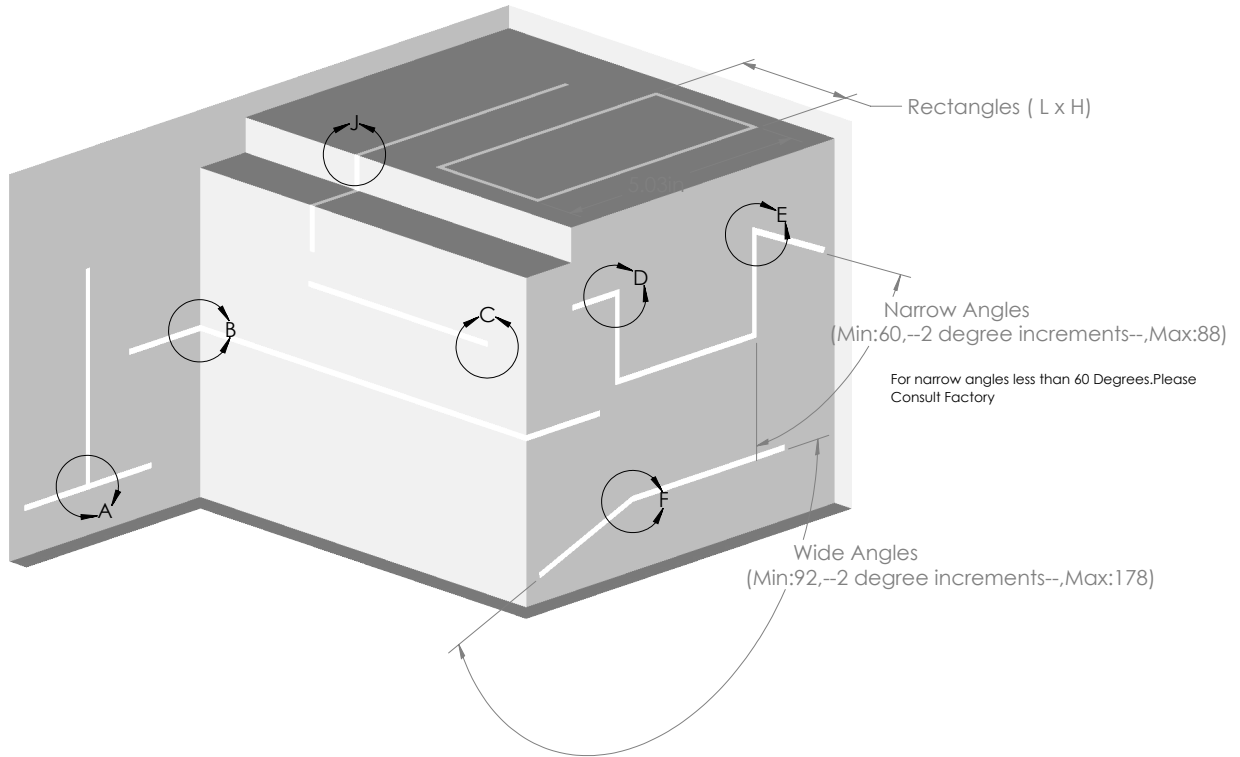


■ ADDITIONAL COMPONENTS

There are certain standard components that comes along the ZENLITE™ Lighting system for 5/8" drywall lighting system as follows:

Product	Image	Purpose
T-shape connector Length: 2 inches		To connect to straight ZENLITE™ Channels
Beginning Module Sub-Components: 1. 4 in Channel 2. End Cap 3. Channel Cover 4. BX Cable Connector 5. BX Connector Nut		To be attached at the beginning of ZENLITE™ channel by means of two T-shape connectors
End Module Sub-Components: 1. 4 in Channel 2. End Cap 3. Channel Cover		To be attached at the end of ZENLITE™ channel by means of two T-shape connectors
Outside corner T-shape connector Length: 1 x 1 inches		To connect to straight ZENLITE™ Channels at outside wall corners 90 Degrees
Inside corner T-shape connector Length: 1 x 1 inches		To connect to straight ZENLITE™ Channels at inside wall corners 90 Degrees

■ CUSTOM CUT ORDERS



DETAIL A
T-JOINT
TJ



DETAIL B
OUTSIDE CORNER
OC



DETAIL C
STRAIGHT
XX



DETAIL D
RIGHT ANGLE
RA90



DETAIL E
NARROW ANGLE
NAXX



DETAIL F
WIDE ANGLE
WAXX

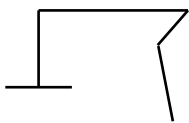


DETAIL J
INSIDE CORNER
IC

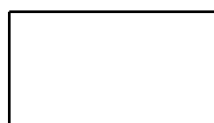
TYPE	DIMENSIONS	QTY
	OR x	Nos.
	OR x	Nos.
	OR x	Nos.
	OR x	Nos.
	OR x	Nos.

Note: List the cuts/features in the order of occurrence from left to right. Multiple spec-sheets can be used for multiple custom lengths/shapes. Please consult Factory for complex projects

■ EXAMPLES



TJ-20-RL-30-NL45-15-WL135-20



0-15 X 30 FT