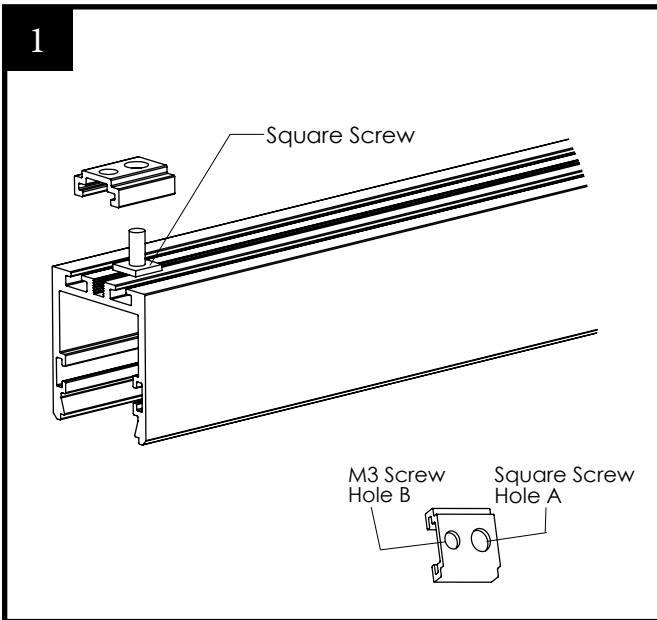
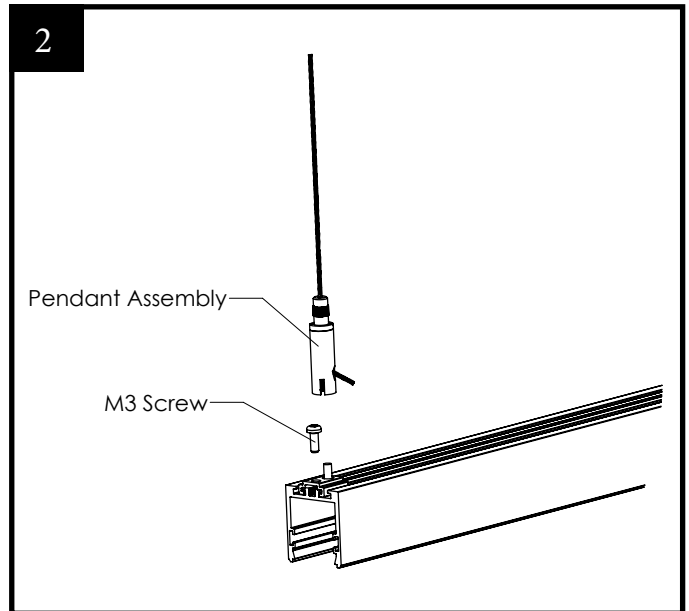


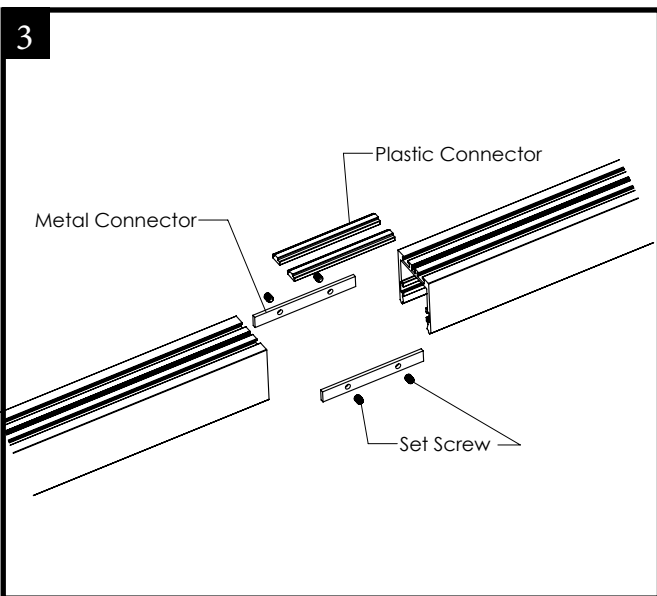
!CAUTION! To be used with Class 2 Power Units only.



1. Insert the square screw into Hole A of the mounting bracket and slide the bracket to an ideal position* through the slots on the channel

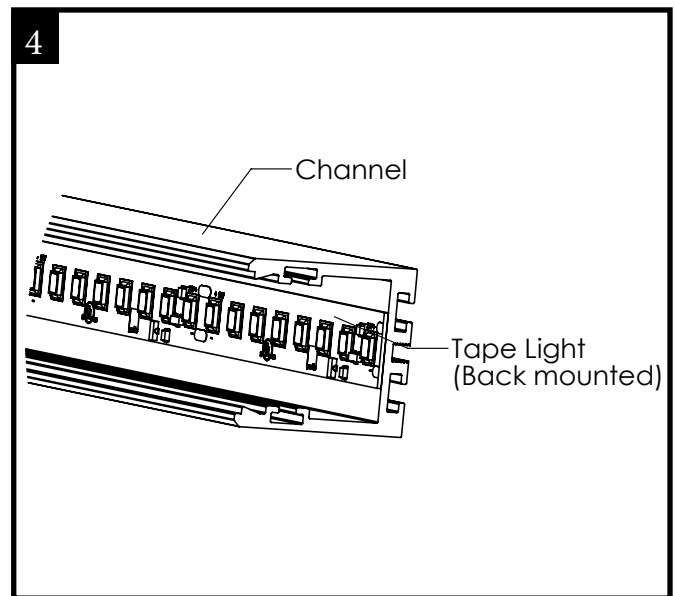


2. Use the M3 screw to secure the bracket in position and attach the remainder of the pendant accessories



3. To connect two channels together, insert the plastic and metal connectors into the slots at the back and inner side of the channel respectively. Hold the metal connector in place using set screws.

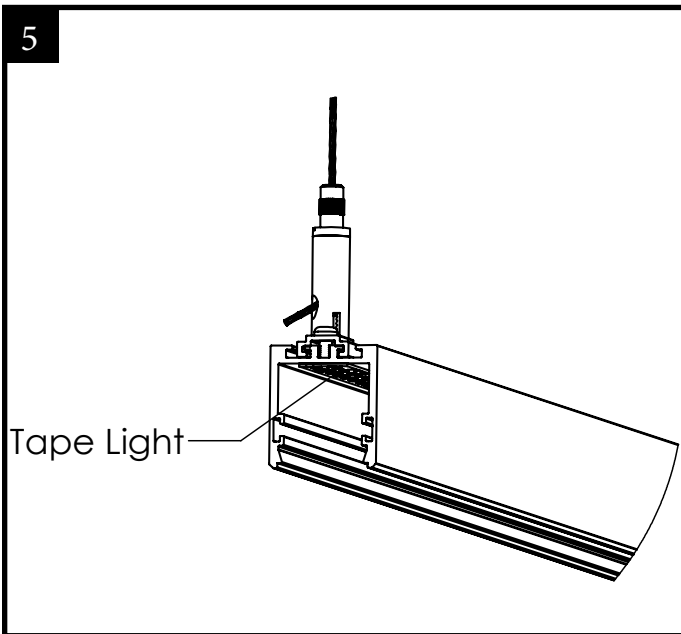
*2 pendant kits for every 72in of channel



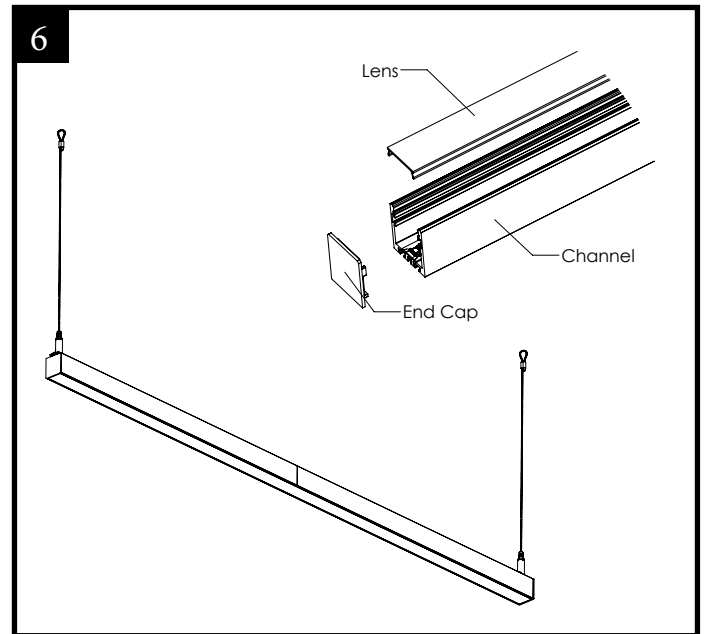
4. Install Tape light at the back of the channel, using the standard PreciseLED driver, by removing the back adhesive.

!CAUTION!

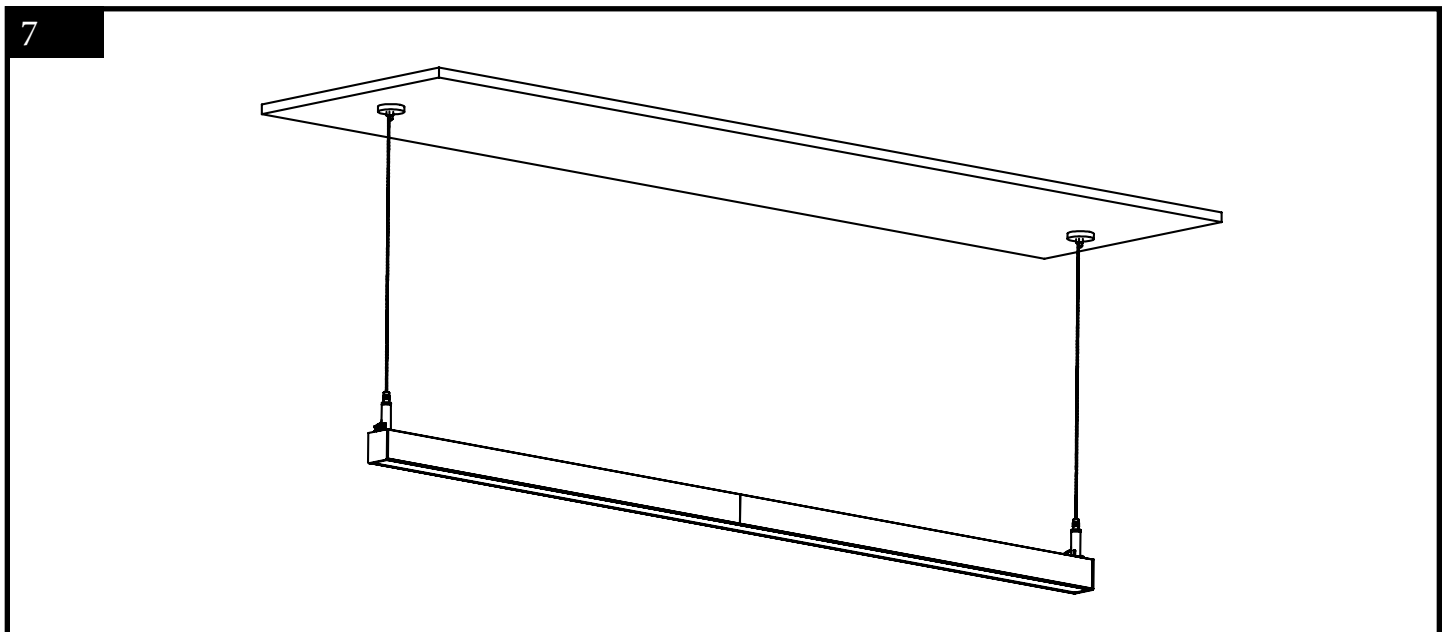
To be used with Class 2 Power Units only.



5. Drill a hole at the back of the channel wide enough to insert the feed wire. Feed the power to the tape with the help of the pendant feed kits that are provided.



6. Install the provided lens and end caps in place. Insert the lens at the beginning of the channel and press it down along the edges



7. Mark the positions of the pendant kits on to the ceiling and drill holes to install the fixture to the ceiling. The finished installation is shown above.