

# ZENLITE® PM1 ZIG-ZAG

Pendant Mount LED Lighting System


Project Name:

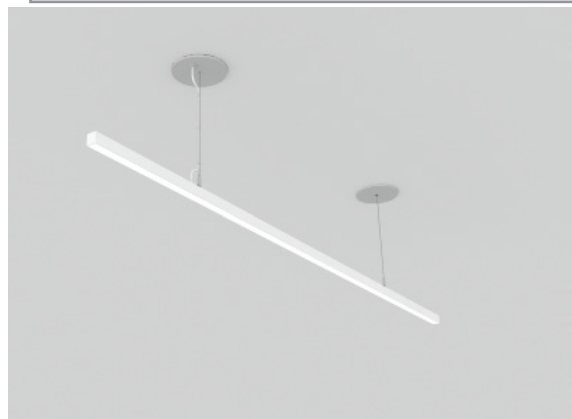
Fixture Type:

## DESCRIPTION

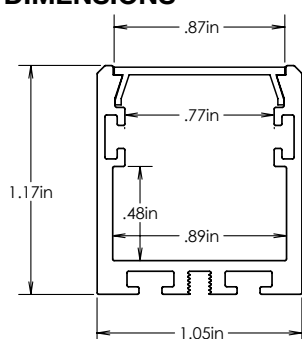
ZENLITE™ PM1 Zig-Zag is a Pendant mount LED Lighting System that can be combined with ZENLITE surface as well as recessed to form a continuous seamless light. This design allows for projection of a clean horizontal, vertical and diagonal lines of the light.

## SPECIFICATIONS

- Dimension: 1.05"W x 1.17" H
- Materials: Aluminum/PVC/Zinc/LED Module
- Ambient Temperature: -4°F ~ +113°F
- Dimmable
- IP Protection: IP20
- 50,000 Hours Lamp Life
- CRI ≥ 95
- 5 Year Warranty
- US & International Patents Pending
- UL Listed  for Dry or Damp Locations (Walls and Ceilings)



## DIMENSIONS



## ORDERING CODE

Example: **ZLZG-PM1-14-HIBE-24V-95C-27K-DLNS-MG-EGNT**

Product	Length	Light Module  Cuttable Length   Watts Per Feet	Volt	CRI
<b>ZLZG-PM1</b>			<b>24V</b>	<b>95C</b>
<b>ZLZG-PM1</b>	<b>XX</b> Length In Inches Only  Note: Lengths can be Specified down to 0.25 inch.	<b>HIBD</b> High Beam Double  1.97 inch   9 W/ft <b>HIBE</b> High Beam  3.93 inch   4.4 W/ft <b>BEAM</b> Beam  1.97 inch   2.9 W/ft <b>HRGB</b> High Beam RGB 3.94 inch   4.4 W/ft * <b>HRGW</b> High Beam RGBW Cuttable Length   Watts Per Feet *	<b>24V- 24V</b>	<b>95C ≥ 95 CRI</b>
		* 95 CRI does not apply		

Color Temperature	Lens	Driver	Ambience
-------------------	------	--------	----------

<b>22K</b> 2200K <b>24K</b> 2400K <b>27K</b> 2700K <b>30K</b> 3000K <b>35K</b> 3500K <b>40K</b> 4000K	<b>CLNS</b> Clear (1.13) * <b>DLNS</b> Diffused <b>OLNS</b> Opal (0.74) * <b>1DRD</b> Drop lens, Diffused <b>1DRO</b> Drop lens, Opal(0.74)  * Lumens/Foot get multiplied with the factor in parenthesis	<b>MG</b> (1% Magnetic Dimming) <b>ZO</b> (1% 0-10V Dimming) <b>NN</b> Non Dimming <b>L3</b> Lutron Hi-lume 1% 3-wire/ Eco system (40 Watt) <b>LP</b> Lutron Hi-lume Premier 0.1% Eco System/3-wire	<b>ST</b> Standard <b>EGNT</b> Egnite *  *For 3000K and below only  For details about Engite feature , visit:( <a href="http://www.preciseled.com/uploads/Egnite.pdf">www.preciseled.com/uploads/Egnite.pdf</a> )
--	--	---	--

## PRODUCTION OPTIONS (Optional for Lighting designers)

### OPTION A

Ship channels in 8ft lengths  
(Default for lengths greater than 8 ft)

Note: It will exclude any non-45 degree angles required, which must be cut by PreciseLED factory.

### OPTION B

Precut channels to desired lengths  
(Default for lengths less than 8ft)

Note: Exact field measurements must be provided, factory does not take responsibility for field measurement errors.

### OPTION C

Ship fixture preloaded with LED module

Note: This option is only available for lengths ≤ 8 ft. Exact field measurements must be provided, factory does not take responsibility for field measurement errors.

Note: The maximum length of a single channel is 8ft. For runs that are longer than 8ft, multiple 8ft channels need to be join together by means of straight channel connectors. Seamless lenses can be shipped in rolls of lengths up to 40 feet.