


## LED Lighting System for New Construction - 5/8" Drywall Walls/Ceilings

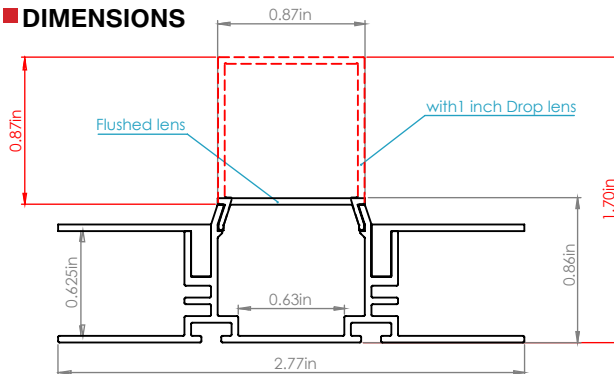
### DESCRIPTION

ZENLITE™ is an LED Lighting System for 5/8" Drywall Walls/Ceilings. Our patent-pending design allows for projection of a clean horizontal, vertical and diagonal lines of light. Channel is installed directly to studs with 16-inch spacing screw holes.

### SPECIFICATIONS

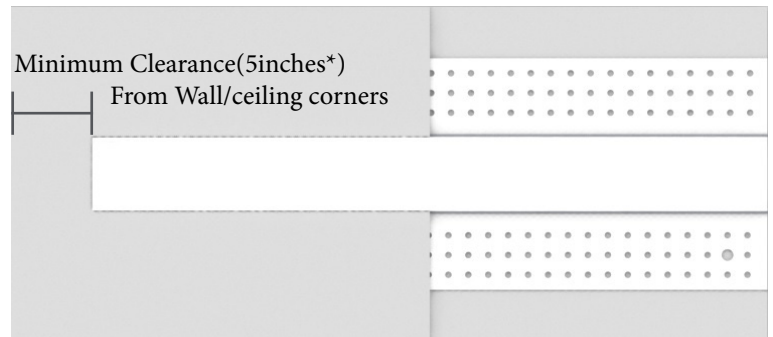
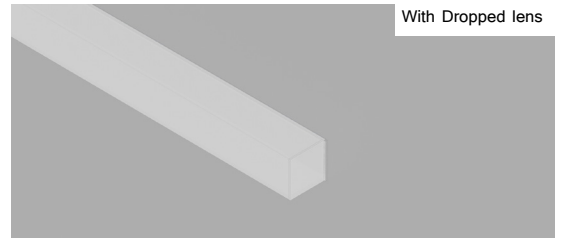
- Dimension: .2.77"W x .82" H
- Materials: Aluminum/PVC/Zinc/LED Module
- Ambient Temperature: -4°F ~ +113°C
- Dimmable
- IP Protection: IP20
- 50,000 Hours Lamp Life
- CRI ≥ 95
- 5 Year Warranty
- US & International Patents Pending
- UL Listed  for Dry Location (Walls and Ceilings) Only

### DIMENSIONS



Project Name: \_\_\_\_\_

Fixture Type: \_\_\_\_\_



### ORDERING CODE

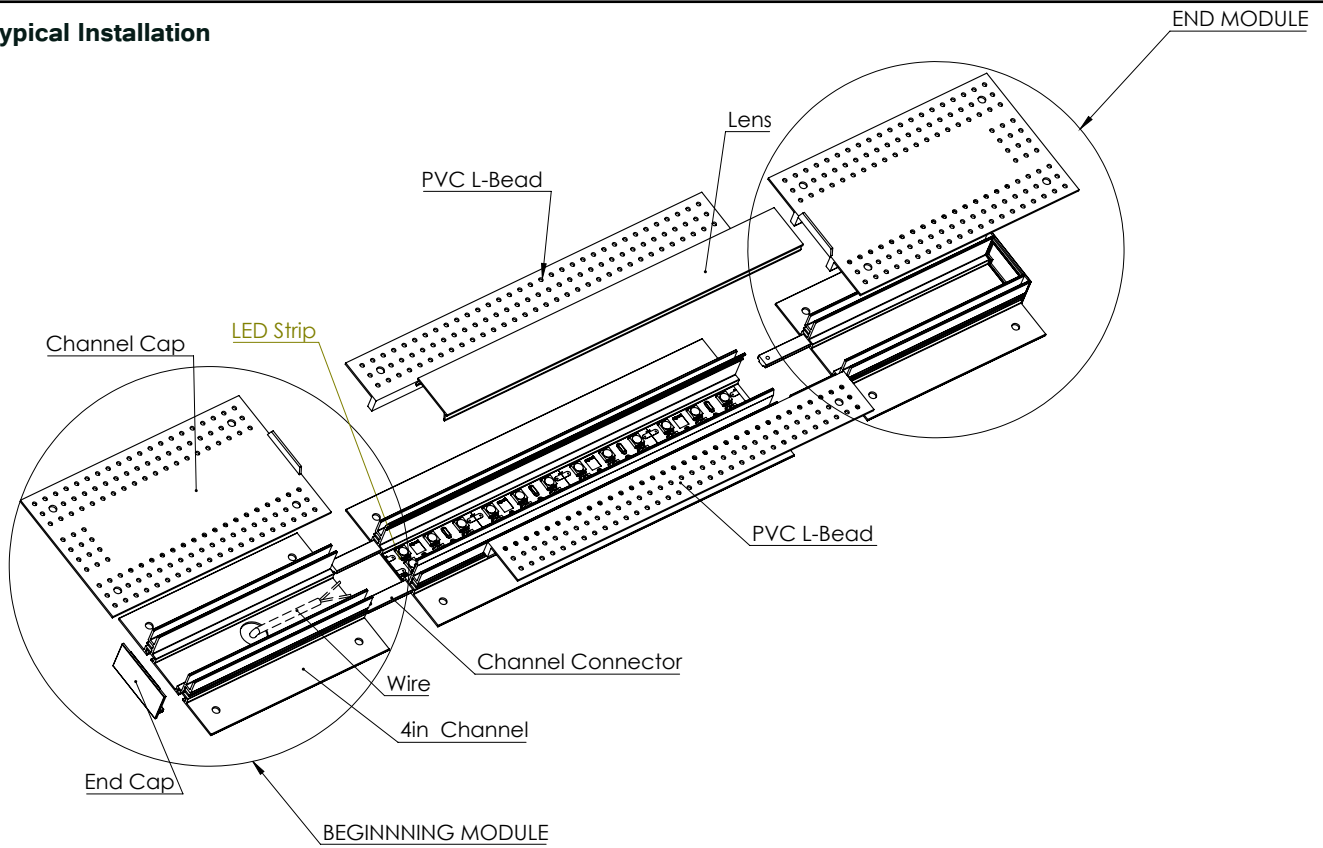
Example: **ZNLT-NC1-14-HIBE-24V-95C-27K-DLNS-MD-EGNT**

\*Email: [info@Preciseled.com](mailto:info@Preciseled.com) for more information and/or clearances less than 5 inches

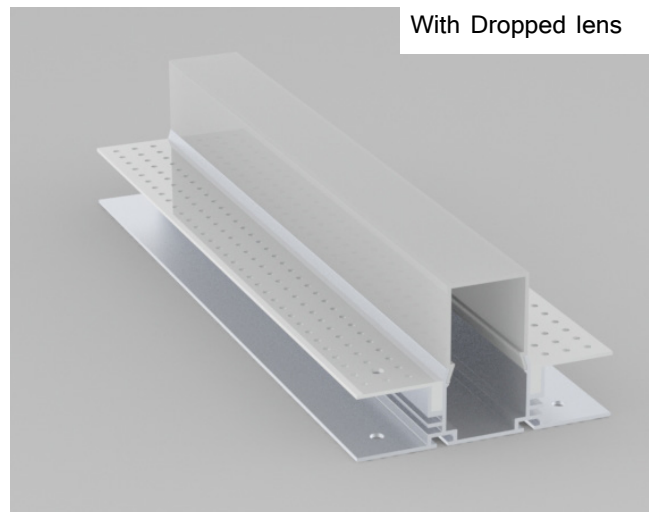
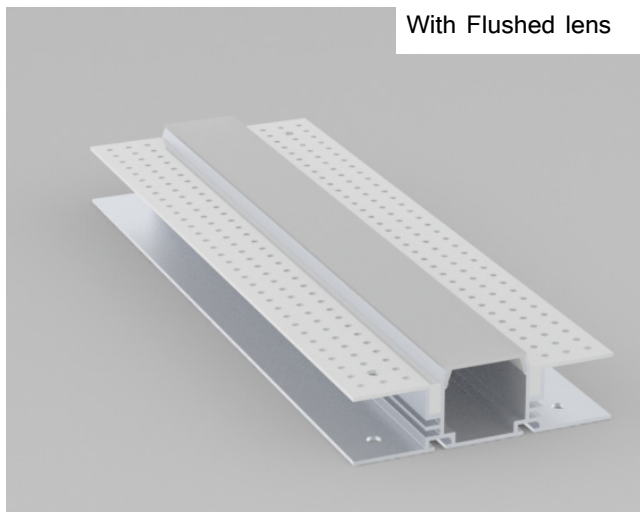
Product	Length	(Light Module) {Lumens/Foot*} [Watts/ft]	Volt	CRI
<b>ZNLT-NC1</b>	<b>XX</b> Length (in feet) max lengths: HIBD- 8.75 Feet HIBE- 17.5 Feet BEAM- 26.25 Feet HRGB- 17.5 Feet HRGBW- 13.12 Feet	<b>HIBD</b> (High Beam Double) {375} [8.8Watts/ft] <b>HIBE</b> (High Beam) {194} [4.4Watts/ft] <b>BEAM</b> (Beam) {125} [2.93Watts/ft] <b>HRGB</b> (Red/Green/Blue)** [4.4Watts/ft] <b>HRGW</b> (Red/Green/Blue/White)** [5.85Watts/ft] * Values with diffused lens only ** 95 CRI does not apply	<b>24V- 24V</b>	<b>95C ≥ 95 CRI</b>

Color Temperature	Lens	Driver	Ambience
<b>22K</b> 2200K <b>24K</b> 2400K <b>27K</b> 2700K <b>30K</b> 3000K <b>35K</b> 3500K <b>40K</b> 4000K	<b>CLNS</b> Clear*(1.13) <b>DLNS</b> Diffused <b>OLNS</b> Opal*(0.74) <b>1DRD</b> Drop lens, Diffused <b>1DRO</b> Drop lens, Opal(0.74) * Lumens/Foot get multiplied with the factor in parenthesis	<b>Recommended:</b> <b>MD</b> Magnetic Driver <b>Other Options:</b> <b>ED</b> Electronic Driver <b>LP</b> Hi-Lume Premier 0.1% <b>ZT</b> (0-10 Volts Dimmable)	Standard <b>EGNT</b> Egnite* *For 3000K and below only for details, visit: <a href="http://www.preciseled.com/uploads/Egnite.pdf">www.preciseled.com/uploads/Egnite.pdf</a>

## ■ Typical Installation

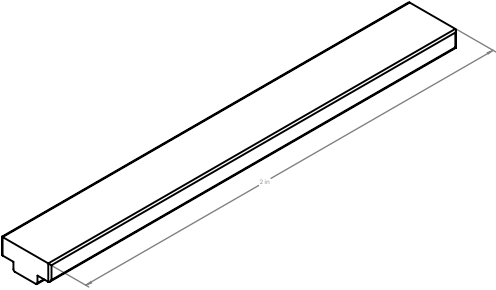
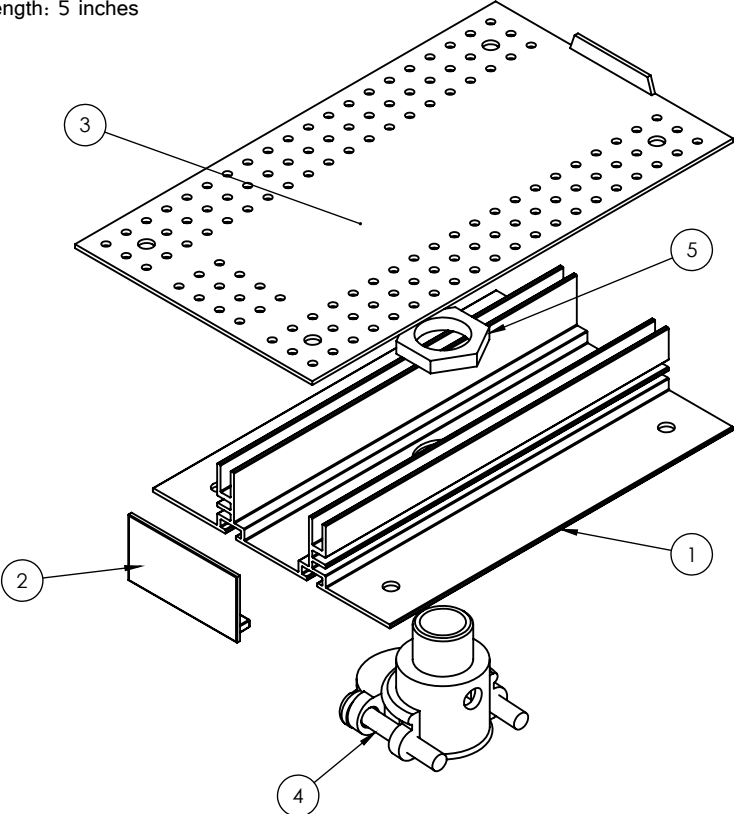


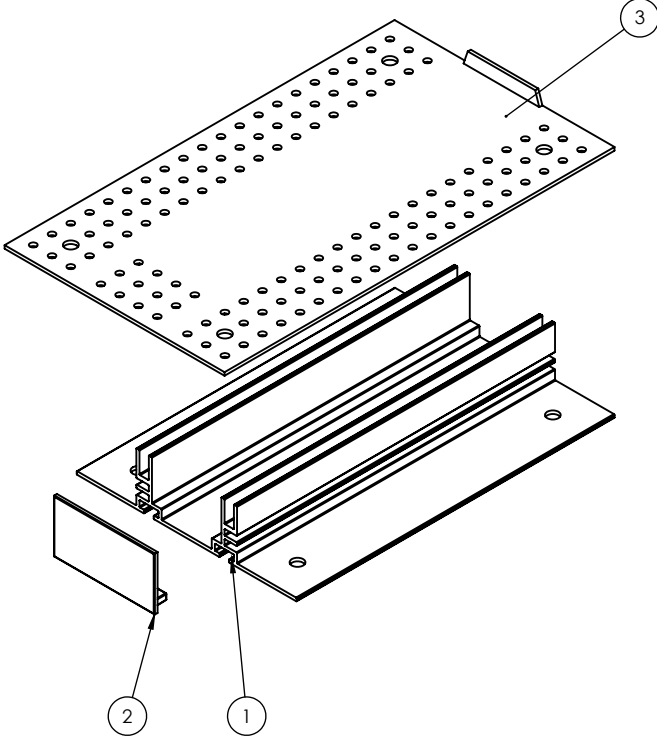
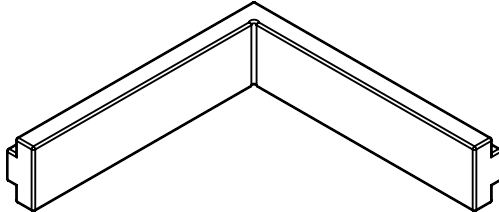
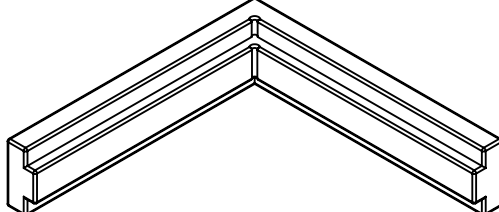
## ■ Assembled Installation



## ■ Additional Components

There are certain standard components that comes along the ZENLITE™ Lighting system for 5/8" drywall lighting system as follows:

Product	Image	Purpose
T-shape connector Length: 2 inches		To connect to straight ZENLITE™ Channels
Beginning Module <b>Sub-Components:</b> 1. 4 in Channel 2. End Cap 3. Channel Cover 4. BX Cable Connector 5. BX Connector Nut	Length: 5 inches 	To be attached at the beginning of ZENLITE™ channel by means of two T-shape connectors

Product	Image	Purpose
<p>End Module</p> <p>Length: 5 inches</p> <p><b>Sub-Components:</b></p> <ul style="list-style-type: none"> <li>1. 4 in Channel</li> <li>2. End Cap</li> <li>3. Channel Cover</li> </ul>		<p>To be attached at the end of ZENLITE™ channel by means of two T-shape connectors</p>
<p>T-shape connector</p> <p>Length: 1 x 1 inches</p>		<p>To connect to straight ZENLITE™ Channels at inside wall corners 90 Degrees</p>
<p>T-shape connector</p> <p>Length: 1 x 1 inches</p>		<p>To connect to straight ZENLITE™ Channels at outside wall corners 90 Degrees</p>