

ZENLITE™ ZIG-ZAG

LED Lighting System for 5/8" Drywall Walls/Ceilings


Project Name:

Fixture Type:

DESCRIPTION

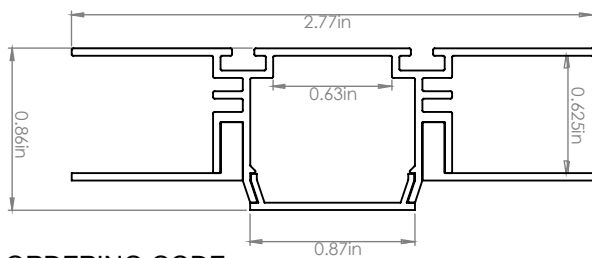
ZENLITE™ ZIG-ZAG is an LED Lighting System for 5/8" Drywall Walls/Ceilings. Our patent-pending design allows for projection of a clean horizontal, vertical and diagonal lines of light. Channel is installed directly to studs with 16-inch spacing screw holes.

SPECIFICATIONS

- Dimension: 2.77"W x .87" H
- Housing: Anodized Aluminum extrusion cut with high precision equipment with up to 98% reflectivity on the inside. PVC flange with low thermal conductivity.
- Optics: Polycarbonate lens with continuous run up to 40ft.
- Ambient Temperature: -4°F ~ +113°F
- Input: 24V DC
- 1% Dimming (MLV/0-10V/Lutron)
- IP Protection: IP20
- 50,000 Hours Lamp Life
- CRI ≥ 95
- 5 Year Warranty
- US & International Patents
- UL Listed  for Dry or Damp Locations, UL IC rated.



DIMENSIONS



ORDERING CODE

Example: ZLZG-NC1-14-2HIBE-24V-90C-27K-DLNS-MG

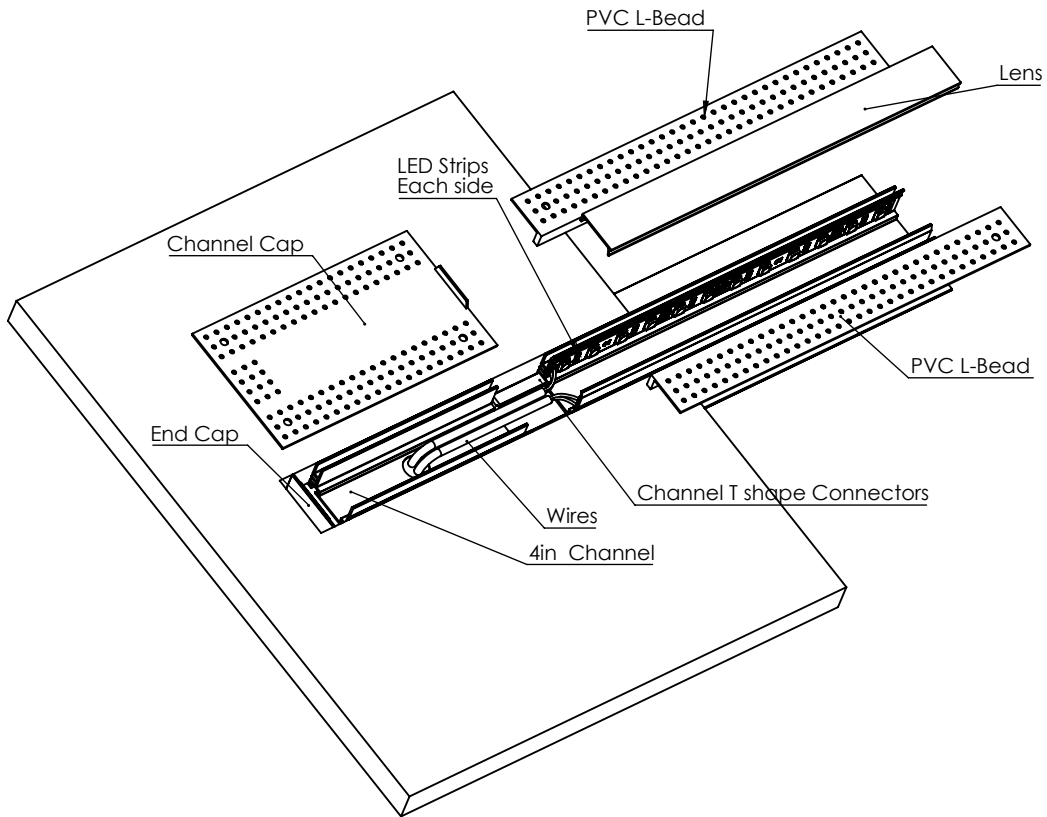
*Contact info@Preciseled.com For clearances less than 5 inches

| Product | Length | Lumens/Foot* (Light Module) | Volt | CRI |
|----------|---|--|----------|--------------|
| ZLZG-NC1 | XX Length (in feet) max lengths: HIBE- 25ft HIHE- 20ft COBE- 12ft HRGB- 17.5ft HRGBW- 13.12ft | 170 [8.8Watts/ft] 2HIBE 2 High Beam 287 [8.8Watts/ft] 2HIHE 2 Hi Beam Hi Efficacy 480 [12.5Watts/ft] 2COBE 2 Cool Beam 2HRGB (Red/Green/Blue) [8.8Watts/ft] 2HRGW (Red/Green/Blue/White) [11.7Watts/ft] * Values with diffused lens only ** 95 CRI does not apply *** Available with 3000K and 4000K Only | 24V- 24V | 95C ≥ 95 CRI |

| Color Temperature | Lens | Driver* |
|--|---|---|
| 27K 2700K 30K 3000K 35K 3500K 40K 4000K | CLNS Clear (1.13) DLNS Diffused OLNS Opal (0.74) * Lumens/Foot get multiplied with the factor in parenthesis | MG (1% Magnetic Dimming) ZO (1% 0-10V Dimming) NN Non Dimming L2 Lutron Hi-lume Forward Phase 120V 1% 2-wire (40W max.) L3 Lutron Hi-lume 1% 3-wire/ EcoSystem LP Lutron Hi-lume Premier 0.1% FadeToBlack Eco-System/3-wire *Drivers are remotely mounted |

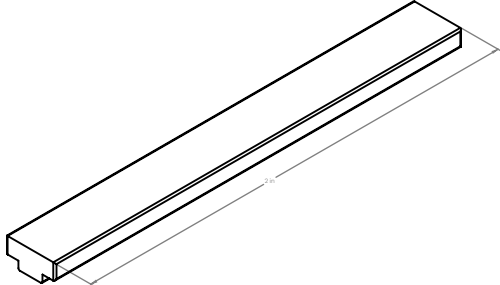
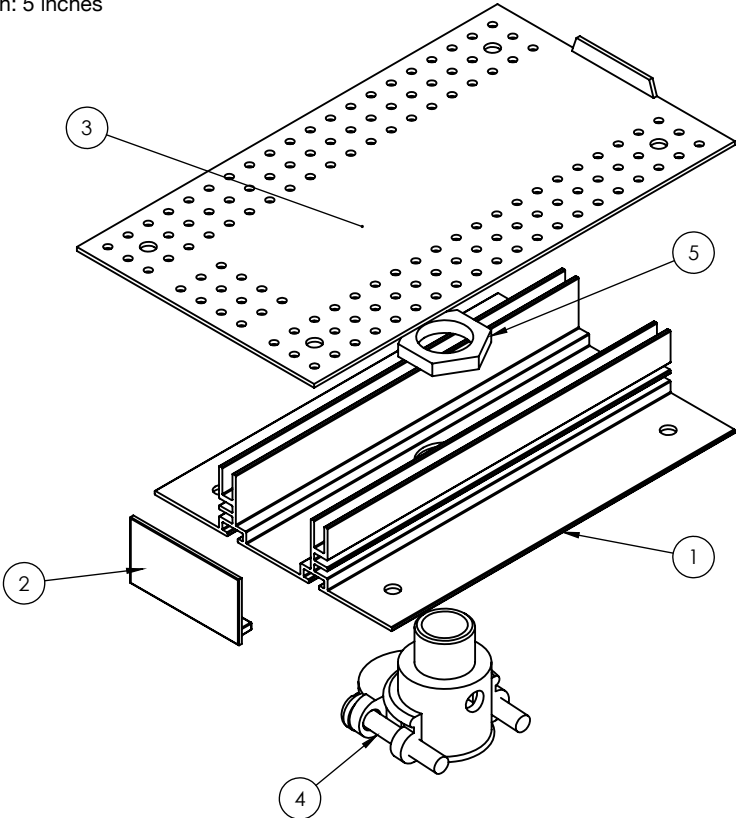
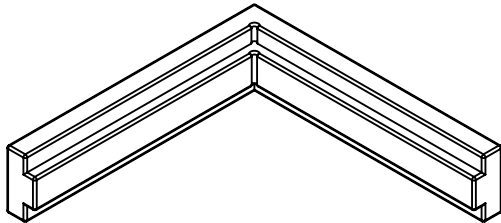
ZENLITE™ ZIG-ZAG

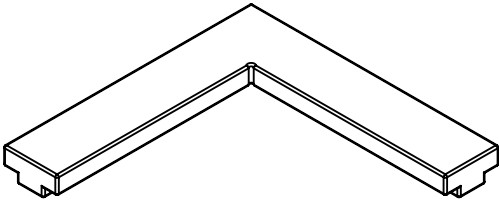
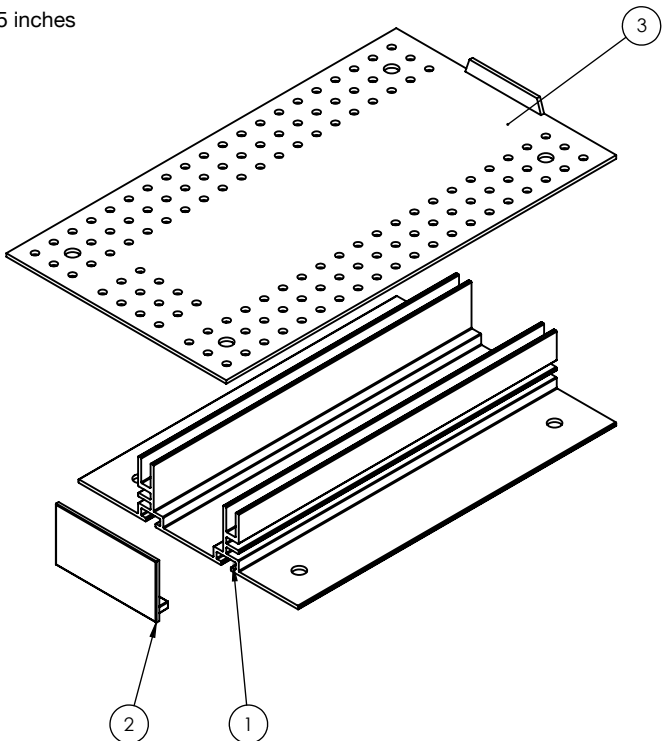
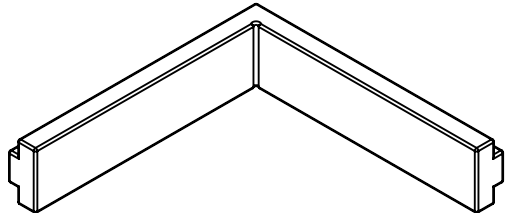
■ Fixture Components



■ Additional Components

There are certain standard components that comes along the ZENLITE™ Lighting system for 5/8" drywall lighting system as follows:

| Product | Image | Purpose |
|---|--|---|
| T-shape connector (ZNLT-CNCT-STRT) | Length: 2 inches  | To connect to straight ZENLITE™ Channels |
| Beginning Module (ZNLT-BGNM-NC1-5/8) Sub-Components: 1. 4 in Channel 2. End Cap 3. Channel Cover 4. BX Cable Connector 5. BX Connector Nut | Length: 5 inches  | To be attached at the beginning of ZENLITE™ channel by means of two T-shape connectors (ZNLT-CNCT-STRT) |
| T-shape connector (ZNLT-CNCT-OS90) | Length: 2 inches  | To connect to straight ZENLITE™ Channels at outside wall corners 90 Degrees |

| Product | Image | Purpose |
|---|--|---|
| ZigZag T-shape connector (ZLZG-CNCT-ZG90) | Length: 1 X 1 inches  | To connect to straight ZENLITE™ Channels trimmed at 45 Degrees to form a 90 Degrees bend |
| End Module (ZNLT-ENDM-NC1-5/8) Sub-Components: 1. 4 in Channel 2. End Cap 3. Channel Cover | Length: 5 inches  | To be attached at the end of ZENLITE™ channel by means of two T-shape connectors (ZNLT-CNCT-STRT) |
| T-shape connector (ZNLT-CNCT-IN90) | Length: 2 inches  | To connect to straight ZENLITE™ Channels at inside wall corners 90 Degrees |