

Installation Guide

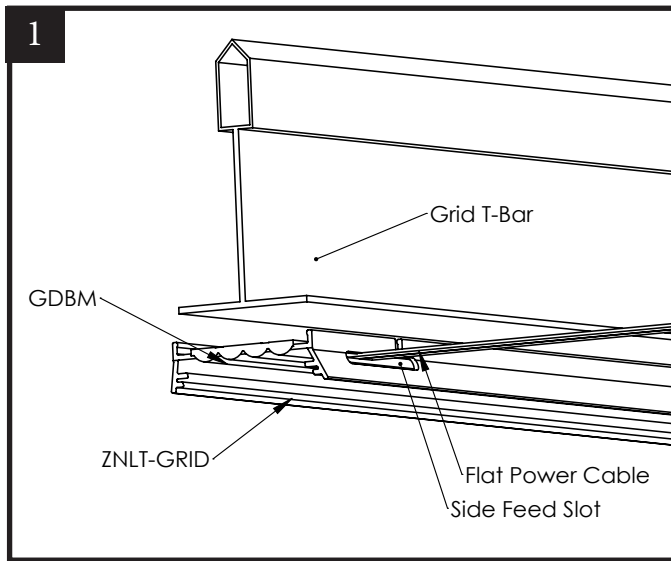
- For your safety, read and understand instructions completely before starting installation

Note: PreciseLED recessed fixtures are designed to meet the latest NEC requirements and are listed in full compliance with UL 1598. Before attempting installation of any recessed lighting fixture, check your local electrical building code. This code sets the wiring standards and installation requirements for your locality and should be understood before starting work. If fixture is to be switch from wall switch or dimmer, make sure black supply wire properly connected to switch or dimmer (follow switch/dimmer instructions).

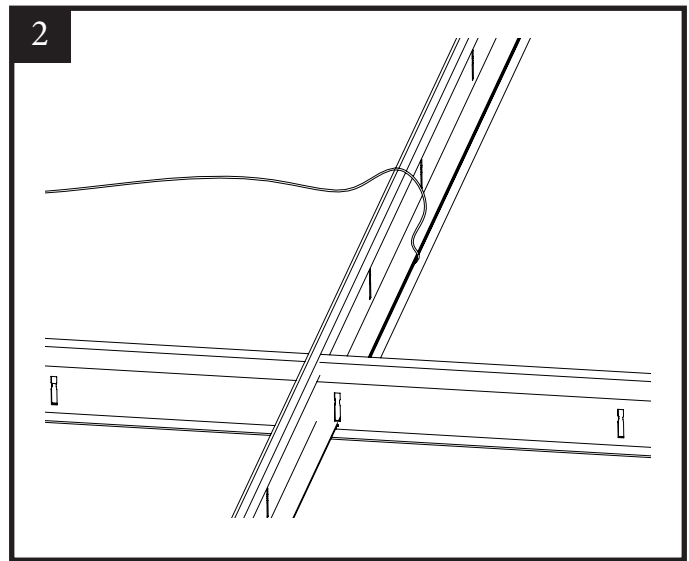
- **WARNING:**

1. Before wiring to power supply, turn off electricity at the fuse or circuit break box.
2. Insulation may be placed in direct contact with ANY part of the fixture.
3. Always have installation performed by a licensed electrician.

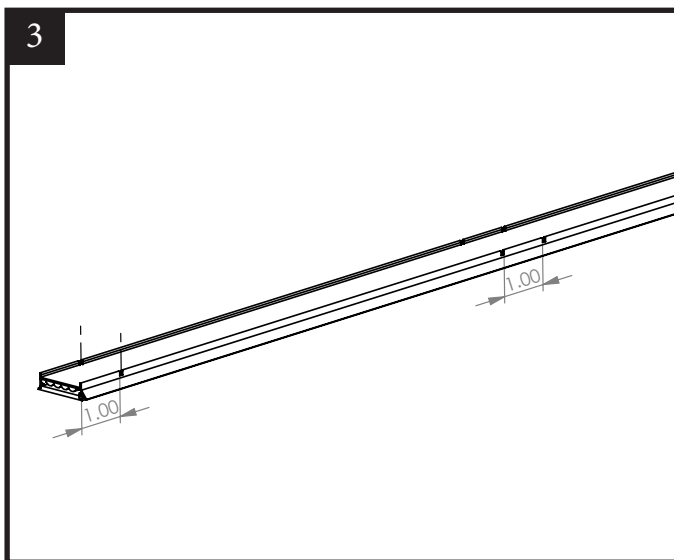
- **FIXTURE INSTALLATION (FOR 15/16" GRID CEILING)**



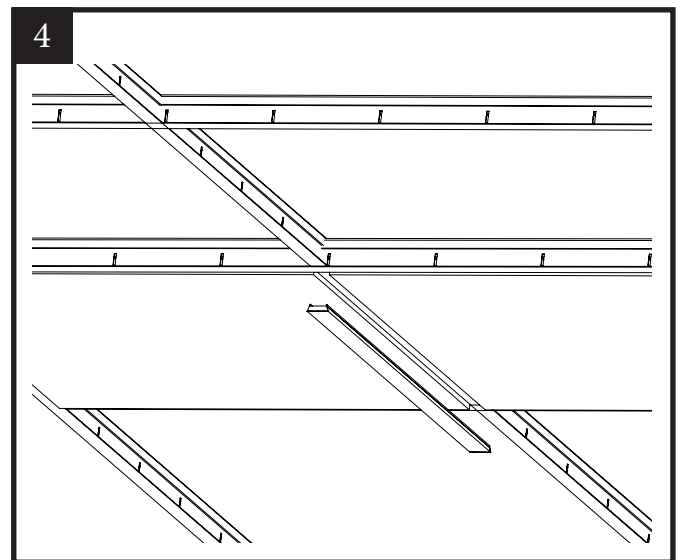
1. The ZNLT-GRID fixture comes assembled as per the approved configuration



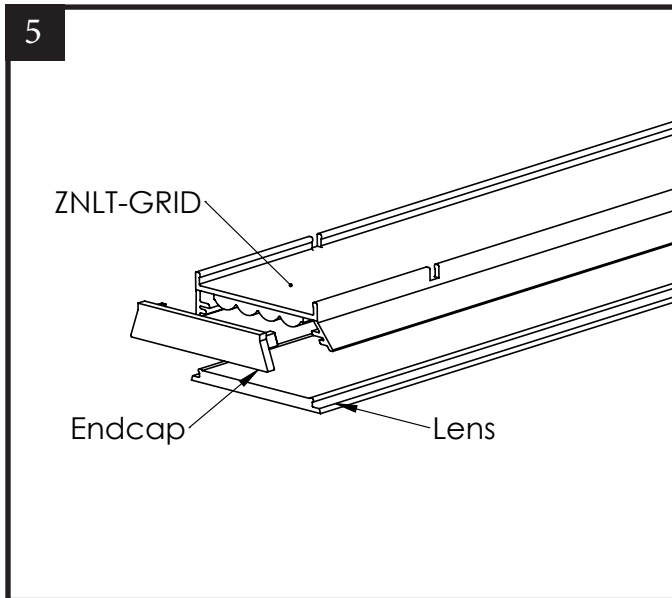
2. Power fixture through back of channel using the connector



3. To secure the channel to the T-Bar, snap the fixture onto the T-Bar. Adjust the fit of the channel by squeezing the it tightly to the grid ceiling using tweezers.



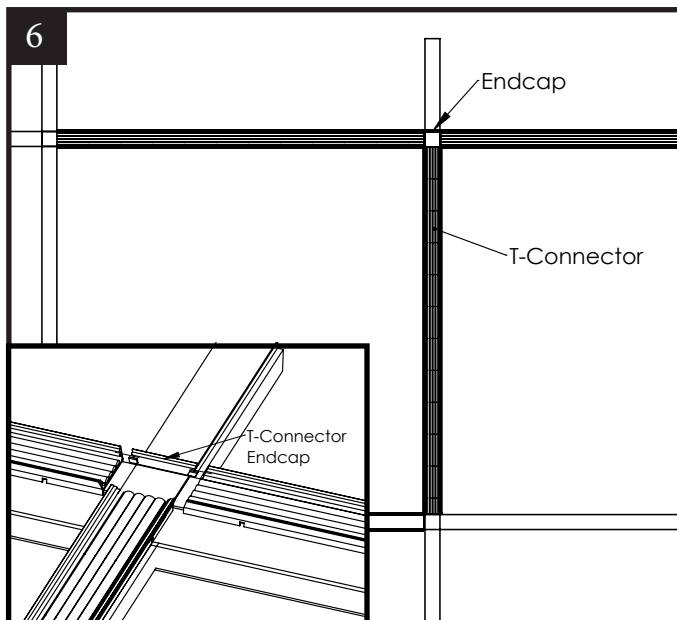
4. Align the fixture to the T-Bar and snap it to the channel.



5. After installation of the channel onto the T grid, attach the end caps and lens as shown above

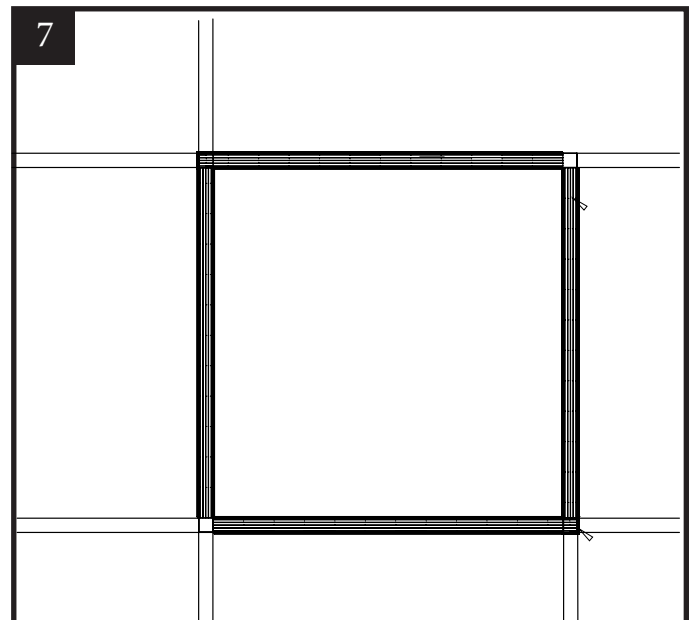
Configurations

■ T-Shape Installation



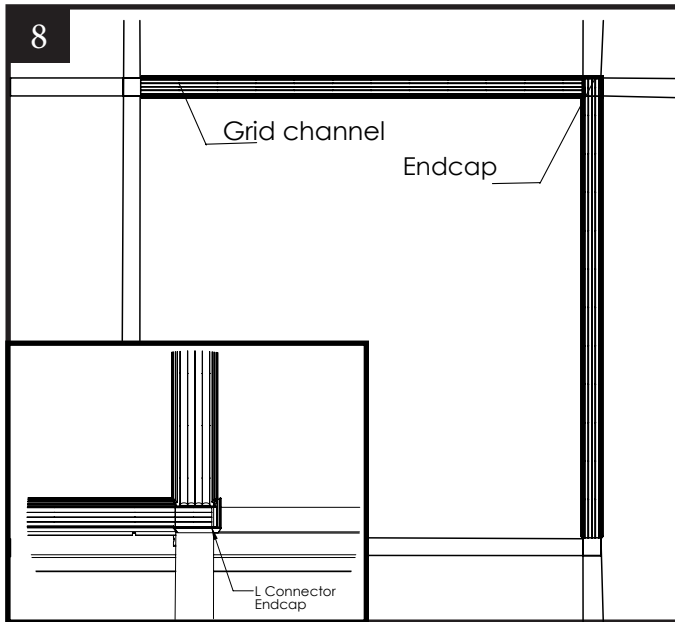
6. For T-Shape installations, snap the channels to the T-bar to create the shape. Install the endcaps shown above to connect the channels.

■ Square Installation

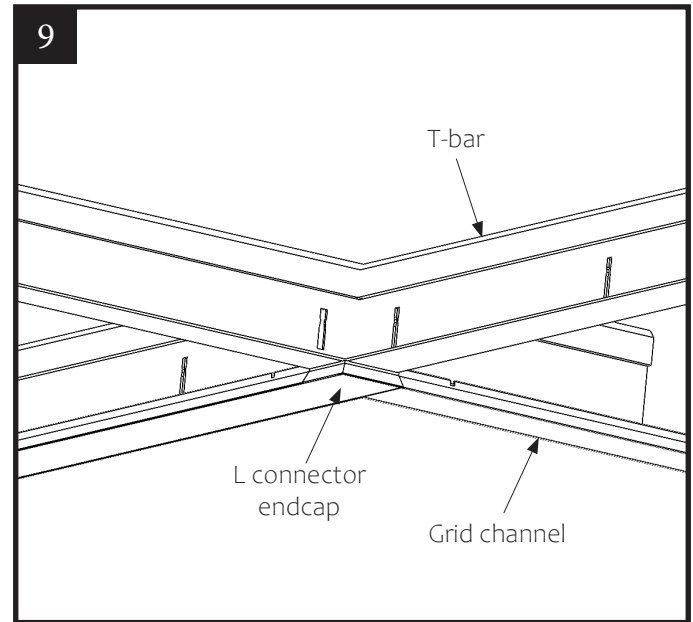


7. For square installations, attach the channels to create the square-shape using the L connector endcaps to connect the runs to one another.

■ L-Turn Installation

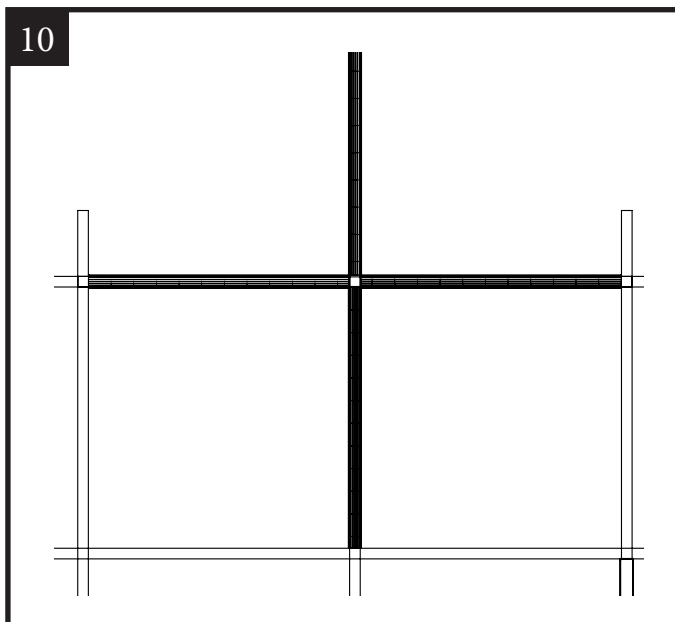


8. For L-Turn installations, use the L-turn configuration endcap to create a seamless line of connectivity, then attach to T-Bar



9. This is another view of the L-Turn installation showing the attached channel to the T-bar and a L connector endcap closing it off.

■ Plus Installation



10. For plus intersection installations, attach the channels to create the plus-shape. The end caps are installed on the ends similar to the straight channel.

■ WIRING DIAGRAM

Wiring diagram for a typical installation of the light fixture with a compatible driver and switch.

