

## Installation Guide

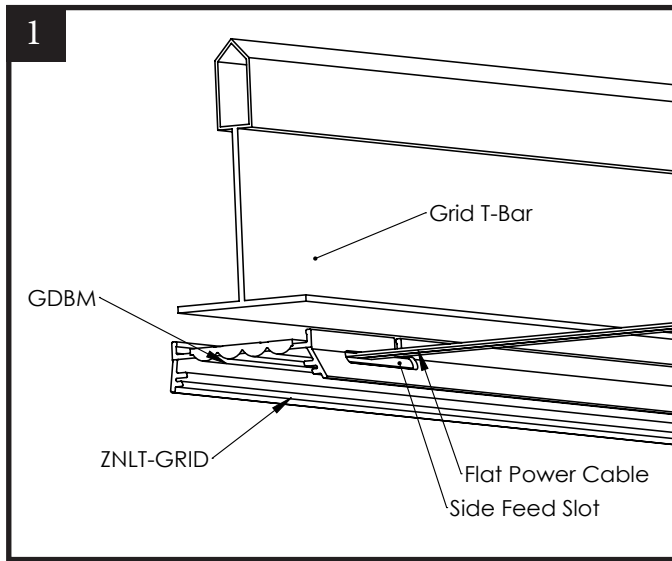
- For your safety, read and understand instructions completely before starting installation

**Note:** PreciseLED recessed fixtures are designed to meet the latest NEC requirements and are listed in full compliance with UL 1598. Before attempting installation of any recessed lighting fixture, check your local electrical building code. This code sets the wiring standards and installation requirements for your locality and should be understood before starting work. If fixture is to be switch from wall switch or dimmer, make sure black supply wire properly connected to switch or dimmer (follow switch/dimmer instructions).

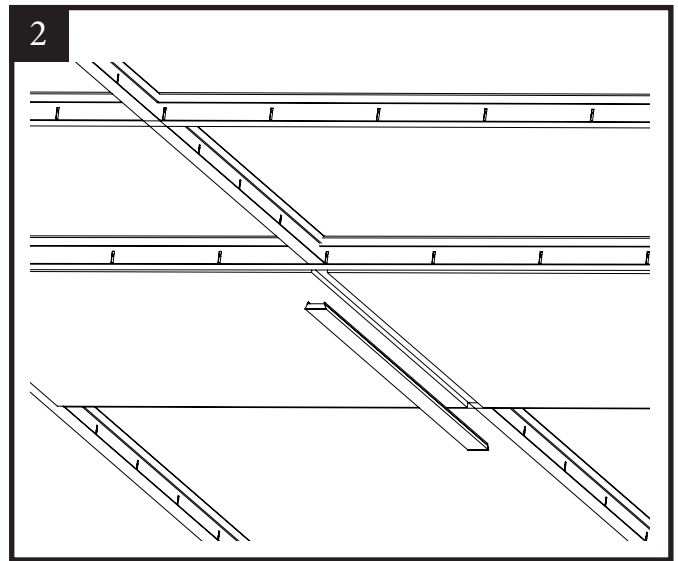
- **WARNING:**

1. Before wiring to power supply, turn off electricity at the fuse or circuit break box.
2. Insulation may be placed in direct contact with ANY part of the fixture.
3. Always have installation performed by a licensed electrician.

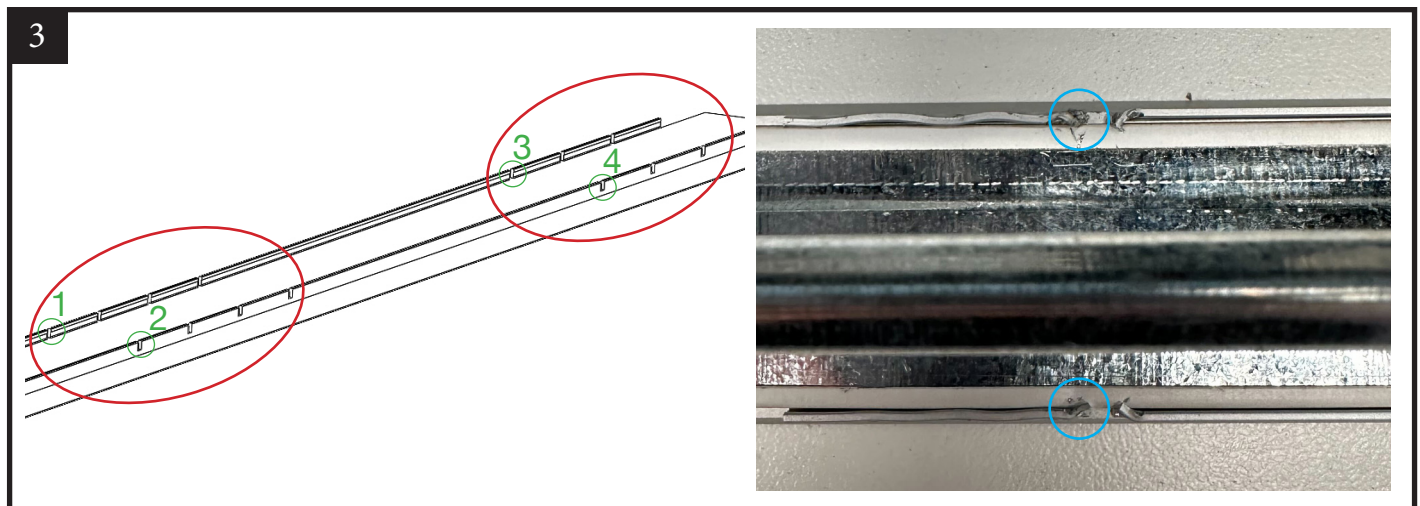
- **FIXTURE INSTALLATION (FOR 15/16" GRID CEILING)**



1. The ZNL-GRID fixture comes preloaded with the tape lights and cables attached to the channel. The approved configuration for the fixture is shown above.

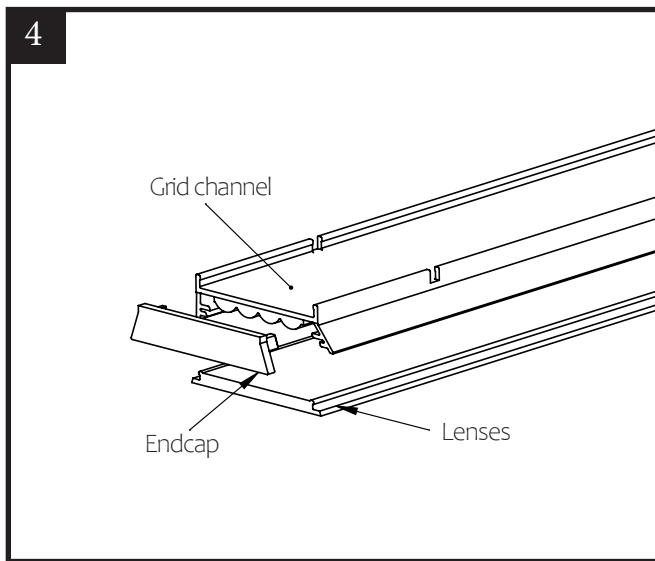


2. Align the channel to the T-Bar at the desired location and snap the channel onto the T-Bar.

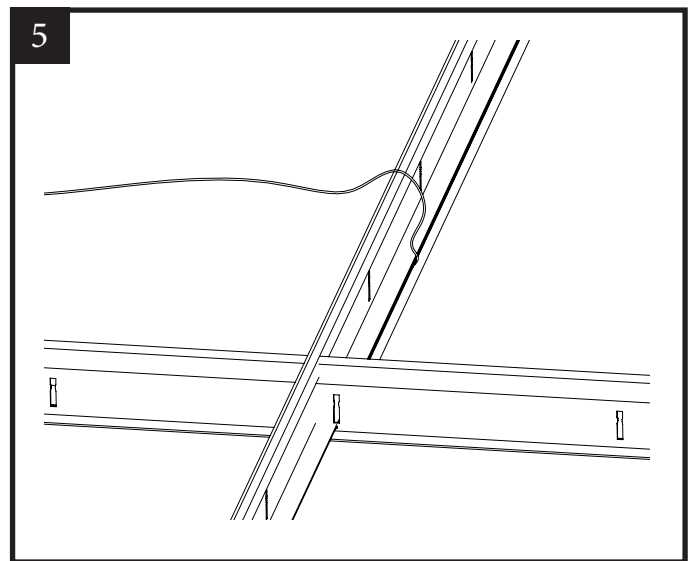


3. To secure each channel onto the T-Bar, notches will be used. Based on the length of the channel, there will be a few clusters of notches (each red circle is considered 1 cluster). For every cluster, use pliers to turn 2 of the notches inwards (blue circles) so it latches onto the T-Bar. For example, the channel on the left has 2 clusters of notches, so 4 notches will be used to secure that channel.

**Note:** If the channel needs to be removed from the T-Bar, use pliers to turn the notches back to their original positions to release the channel. When the channel needs to be reinstalled, use pliers to turn a new set of 2 notches per cluster.



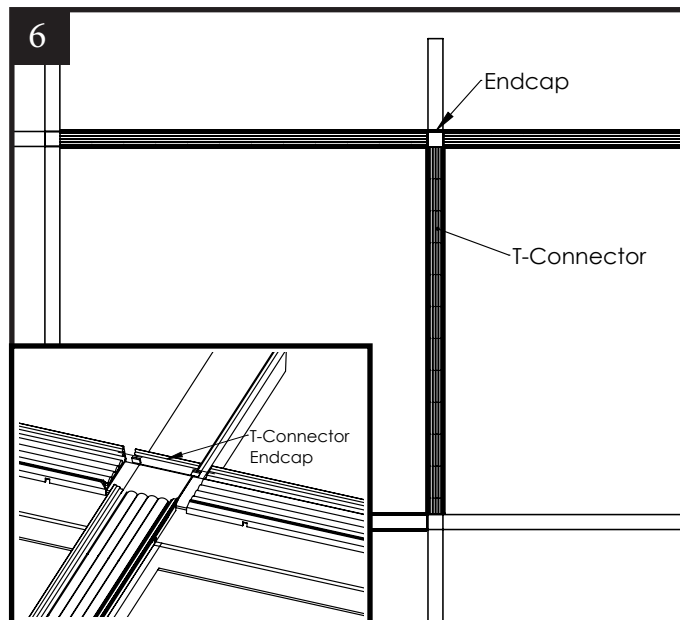
4. After securing the channel onto the T-Bar, attach the end caps and lenses to complete the light fixture.



5. Power fixture through back of the channel by using the flat power cable and enjoy your new PreciseLED light fixture!

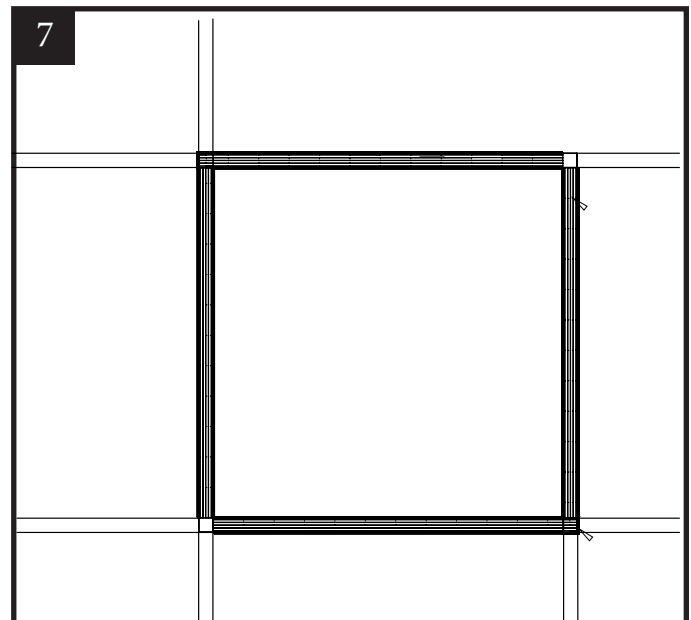
### Configurations

#### T-Shape Installation



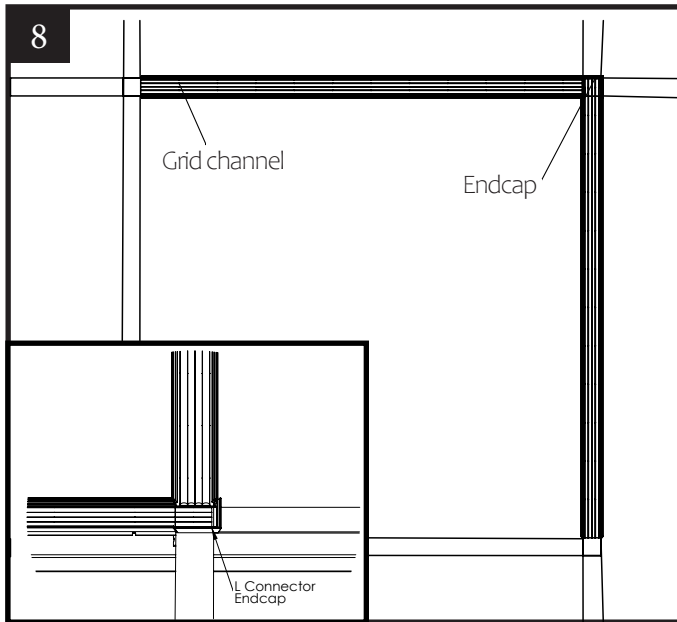
6. For T-Shape installations, snap the channels to the T-bar to create the shape as shown above. Install the T connector endcaps shown above to connect the channels.

#### Square Installation

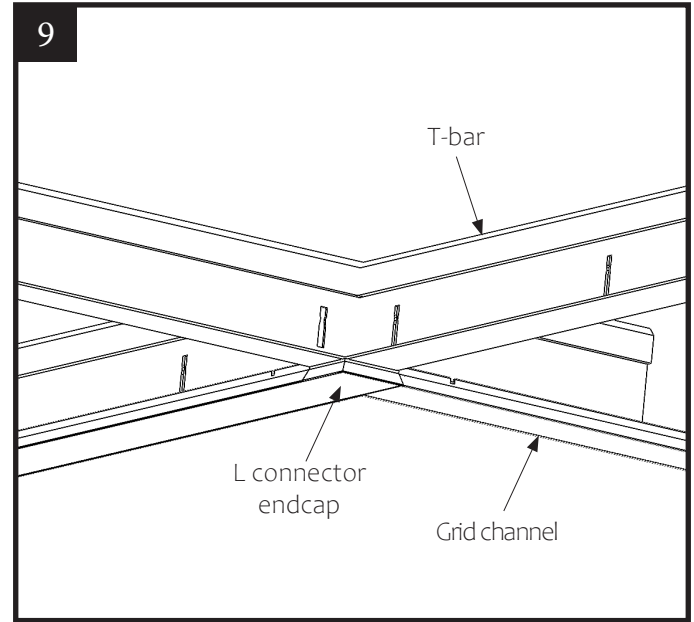


7. For square installations, attach the channels to create the square-shape as shown above. Then use the L connector endcaps to connect the runs to one another.

### ■ L-Turn Installation

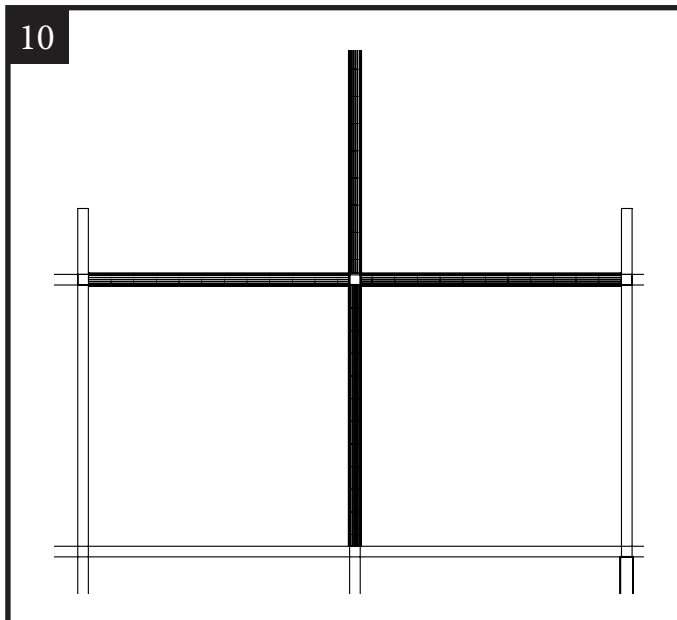


8. For L-Turn installations, use the L-turn configuration endcap to connect the channels.



9. This is another view of the L-Turn installation showing the channel attached to the T-bar and an L connector endcap closing it off.

### ■ Plus Shape Installation



10. For plus shape intersection installations, attach the channels as shown above to create the shape. The endcaps are installed on the ends similar to the straight channel.

### ■ WIRING DIAGRAM

Wiring diagram for a typical installation of the light fixture with a compatible driver and switch.

