

# ZENLITE® GRID

## LED Lighting System for Drop Ceiling

Project Name: \_\_\_\_\_

Fixture Type: \_\_\_\_\_

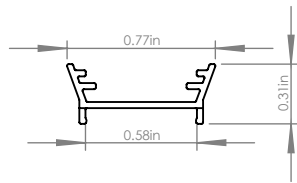
### DESCRIPTION

ZENLITE® GRID is an LED Lighting System for drop ceilings. The design allows for a projection of clean horizontal lines of light. The fixture is mounted directly onto T-bars and accommodates 15/16" drop ceilings as well as 9/16" drop ceilings. The channel has the ability to connect seamlessly along the T-bar and across the whole ceiling; allowing for a variety of configurations. To achieve a certain light output, choose between the different available light modules and color temperatures. Light modules are also dimmable when using a dimmable driver. ZENLITE® GRID is a lighting fixture that can create a seamless line of light and has the ability to achieve various patterns/shapes. It requires no additional construction for current drop ceilings and is easily integrated into any room.

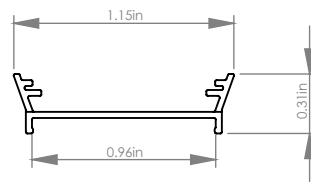


### DIMENSIONS

9/16 IN ZNLT-GRID



15/16 IN ZNLT-GRID



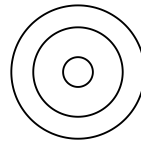
### Production Expectation

#### What will the channels look like when they arrive?

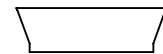
Channel will arrive to you preloaded with the light module and cut to the specific lengths given. You will also receive channel lens as well as any accessories needed separately. Exact field measurements must be provided, factory does not take responsibility for field measurement errors.



Preloaded Channels



Roll Of Channel Lens



Endcap/Accessories

### LUMEN OUTPUT PERFORMANCE TABLE

Light Module
GDBM (3.4W/ft)

### ORDERING CODE

Example: ZNLT-GRID-9/16-23-GDBM-24V-95C-27K-DLNS-MG

Product	Channel Size	Channel Length	Light Module	Volt	CRI	Color Temperature	Lens	Driver
ZNLT-GRID			GDBM	24V	90C		DLNS	
ZNLT-GRID	9/16 in channel 15/16 in channel	23 23 inches 24 24 inches 48 48 inches  See <a href="#">page 4</a> for custom configurations.	GDBM Grid Beam	24V- 24V	90C ≥ 90 CRI	27K 2700K 30K 3000K 35K 3500K 40K 4000K	DLNS Diffused	MG (1% Magnetic Dimming) ZO (1% 0-10V Dimming) NN Non Dimming L2 Lutron Hi-lume Forward Phase 120V 1% 2-wire (40W max.) L3 Lutron Hi-lume 1% 3-wire/EcoSystem (40W max.) LP Lutron Hi-lume Premier 0.1% FadeTo Black EcoSystem/3-wire

## ■ SPECIFICATIONS

### LED SYSTEM

- LED ENGINE: 2700K, 3000K, 3500K, 4000K  
ZIGBEAM: World's first miter-able tape light and dimmable using a dimmable driver. It displays a clean line of light at the surface of the lens.
- CRI: Minimum 95 color rendering index
- COLOR CONSISTENCY: 3-step binning LEDs
- OPTICS: Polycarbonate lens with clear, diffused, or opal lens available and field changeable. Able to run continuously up to 40ft for straight installations.

### ELECTRICAL

- STANDARD DRIVER: 120-277VAC, drivers are mounted remotely.  
MG: Forward phase 1% magnetic low voltage dimming (dims down to 1%) and flicker free  
ZO: 1% 0-10V dimming, flicker free, and IP65 rated for both indoor and outdoor use  
NN: Non dimming, flicker free, and IP65 rated for both indoor and outdoor use  
LUTRON DRIVER L2: Hi-lume 1% 2-Wire LED Driver, provides continuous and flicker free dimming from 100% to 1%.  
LUTRON DRIVER L3: Hi-lume 1% EcoSystem 3-Wire Driver, provides continuous and flicker free dimming from 100% to 1%.  
LUTRON DRIVER LP: Hi-lume Premier 0.1% FadeToBlack EcoSystem 3-Wire Driver, provides continuous and flicker free dimming down to 0.1% when used with certain Lutron controls.
- FEED: 18" of wire provided with connection to a longer wire inside the beginning module.

### MOUNTING

- Mounting brackets and/or screw in clips are provided to be attached to the channel allowing for the channel to be mounted directly into the ceiling/wall. This design is versatile for any location and easily moved.

### CONSTRUCTION

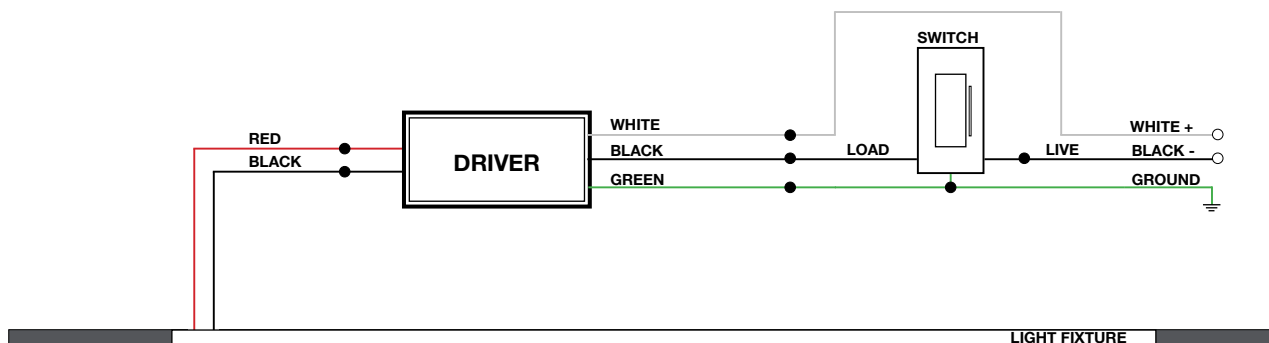
- 15/16 IN DIMENSIONS: 1.15"W x 0.31"H
- 9/16 IN DIMENSIONS: 0.77"W x 0.31"H
- HOUSING: Anodized aluminum extrusion cut with high precision equipment with up to 98% reflectivity on the inside.
- HOUSING FINISH: Powder coated white by default; with black available, and the option for custom colors. This provides the channel with a smooth finish and a defined color.

### LISTING/WARRANTY

- WARRANTY: 5 year limited warranty, ambient temperatures at fixture location should not exceed 40°C during normal operation.
- IP Protection: IP20
- CRI ≥ 95
- 50,000 hours lamp life
- US & International Patents Pending

## ■ WIRING DIAGRAM

Wiring diagram for a typical installation of the light fixture with a compatible driver and switch.

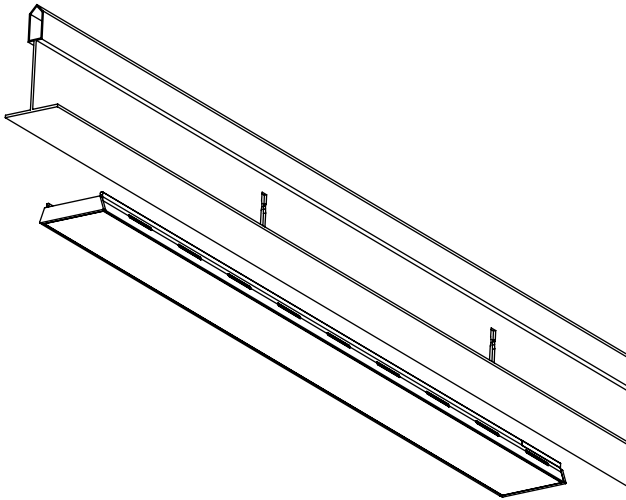


## T-BAR MOUNTING

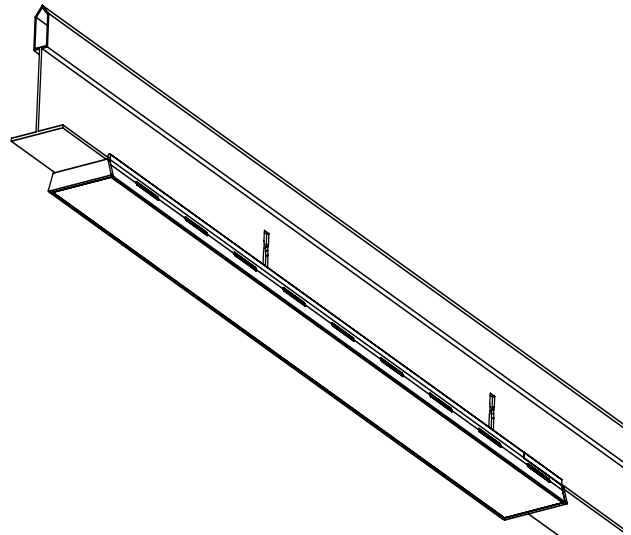


Warning: Electrician please read instructions below

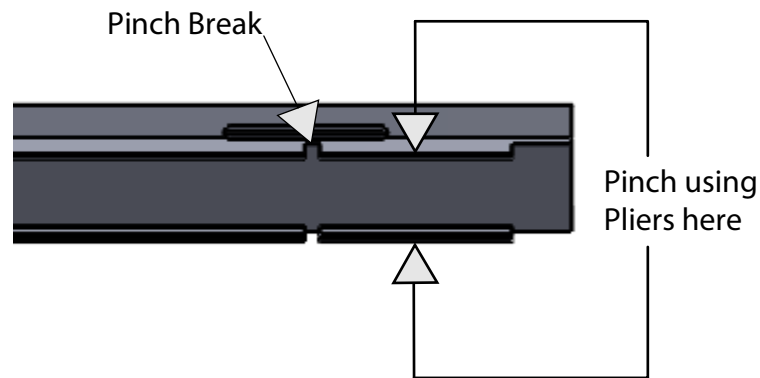
1. Attach Gridline to T-Bar mount as shown in Diagram 1 and 2 below
2. Using needle nose pliers press channel ends as shown in Diagram 3 below



**Diagram 1:** Line up Grid channel with the T-Bar mount

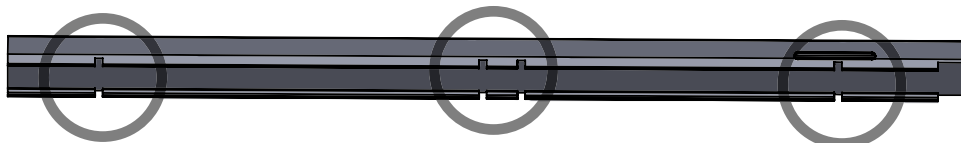


**Diagram 2:** Press Grid channel into T-Bar Mount



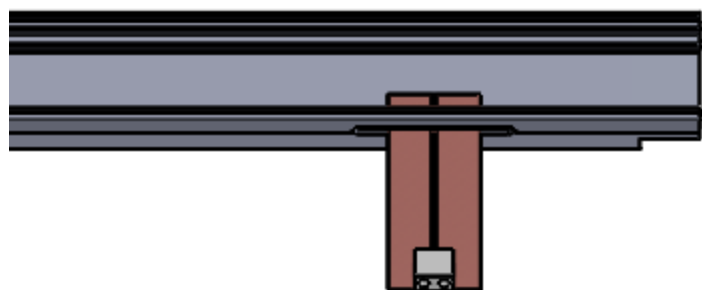
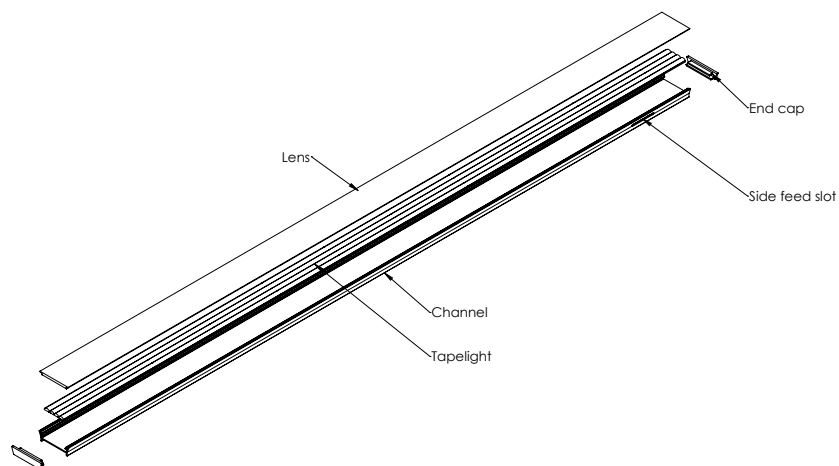
**Diagram 3:** Press Channel Ends along the GRID channel using pliers where pinch breaks are located as shown above

## Pinch Points



**Diagram 4:** 24 In and 48 Inch channels have 3 pinch points that need to be pressed when installing on T-bar grid

## ■ FIXTURE COMPONENTS

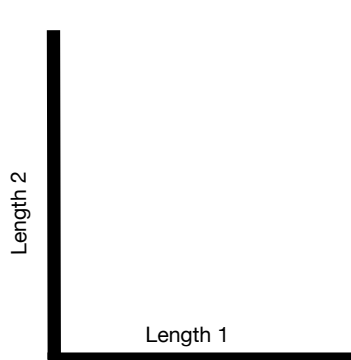


**Note:** ZNLT-GRID terminal comes out on the side of the side feed slot

## ■ CONFIGURATIONS

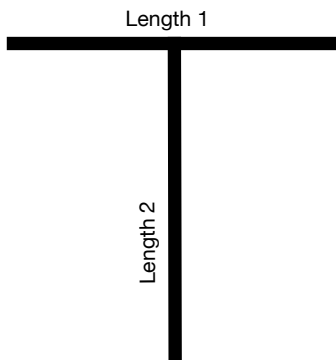
Type	Length 1		Length 2		Length 3	
L-Turn						
<b>L</b>	XX 'ft.	XX "in.	XX 'ft	XX "in.		
T-Connector						
<b>T</b>	XX 'ft	XX "in.	XX 'ft	XX "in.		
Plus Intersection						
<b>P</b>	XX 'ft	XX "in.	XX 'ft	XX "in.	XX 'ft	XX "in.
Square						
<b>S</b>	XX 'ft	XX "in.				
Rectangle						
<b>R</b>	XX 'ft	XX "in.	XX 'ft	XX "in.		

Example Product #: ZNLT-GRID-L-16'-14'



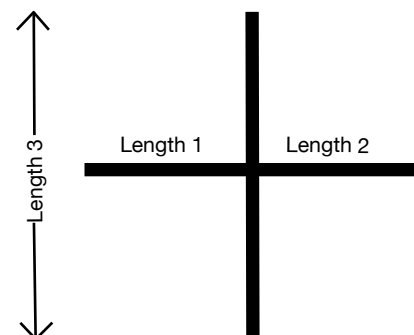
### L-Turn

Purpose: To make a corner turn.



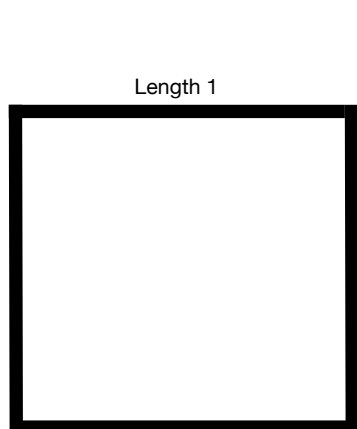
### T-Connector

Purpose: For 90 degree turns, 3 way connections.



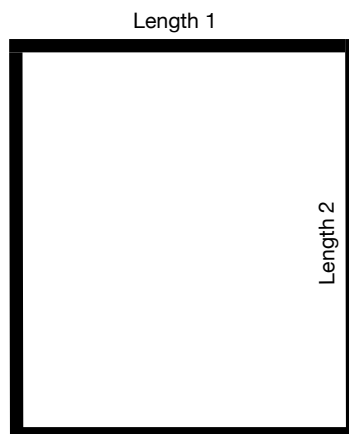
### Plus Intersection

Purpose: For 90 degree turns, 4 way connections.



### Square

Purpose: For square connections.



### Rectangle

Purpose: For rectangle connections.