

ZENLITE® GRID

LED Lighting System for Drop Ceiling

Project Name: _____

Fixture Type: _____

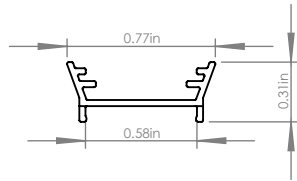
DESCRIPTION

ZENLITE® GRID is an LED Lighting System for drop ceilings. The design allows for a projection of clean horizontal lines of light. The fixture is mounted directly onto T-bars and accommodates 15/16” drop ceilings as well as 9/16” drop ceilings. The channel has the ability to connect seamlessly along the T-bar and across the whole ceiling; allowing for a variety of configurations. To achieve a certain light output, choose between the different available light modules and color temperatures. Light modules are also dimmable when using a dimmable driver. ZENLITE® GRID is a lighting fixture that can create a seamless line of light and has the ability to achieve various patterns/shapes. It requires no additional construction for current drop ceilings and is easily integrated into any room.

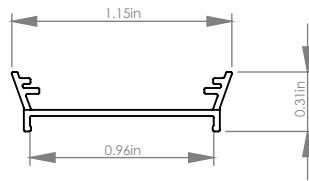


DIMENSIONS

9/16 IN ZNLT-GRID



15/16 IN ZNLT-GRID



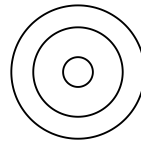
Production Expectation

What will the channels look like when they arrive?

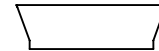
Channel will arrive to you preloaded with the light module and cut to the specific lengths given. You will also receive channel lens as well as any accessories needed separately. Exact field measurements must be provided, factory does not take responsibility for field measurement errors.



Preloaded Channels



Roll of Channel Lens



Endcap/Accessories

LUMEN OUTPUT PERFORMANCE TABLE

Light Module	Lumens/ft	Watts/ft
GDBM	248	3.4

Calculation: GDBM-35K-DLNS

Color Temp	27K	30K	35K	40K	Lens	DLNS	
Multiplier	0.83	1	1.14	1.23	Multiplier	1	$248 \times 1.14 \times 1 = 282.72$ $282.72 / 3.4 = 83.15 \text{ Lm/W}$

ORDERING CODE

Example: ZNLT-GRID-9/16-23-GDBM-24V-95C-27K-DLNS-MG

Product	Channel Size	Channel Length	Light Module	Volt	CRI	Color Temperature	Lens	Driver
ZNLT-GRID			GDBM	24V	90C		DLNS	
ZNLT-GRID	9/16 in channel 15/16 in channel	23 23 inches 24 24 inches 48 48 inches See page 4 for custom configurations.	GDBM Grid Beam	24V- 24V	90C ≥ 90 CRI	27K 2700K 30K 3000K 35K 3500K 40K 4000K	DLNS Diffused	MG (1% Magnetic Dimming) ZO (1% 0-10V Dimming) NN Non Dimming L2 Lutron Hi-lume Forward Phase 120V 1% 2-wire (40W max.) L3 Lutron Hi-lume 1% 3-wire/EcoSystem (40W max.) LP Lutron Hi-lume Premier 0.1% FadeTo Black EcoSystem/3-wire

■ SPECIFICATIONS

LED SYSTEM

The LED system comes with one light module, the Grid Beam (GDBM). The Grid Beam tape light comes with tightly spaced LEDs for a seamless appearance. This light module is available in four different color temperatures of 2700K, 3000K, 3500K, and 4000K. They have a minimum 95CRI (color rendering index) and have gone through a 3-step binning process.

OPTICS

For this fixture, polycarbonate lenses with clear, diffused, or opal finish are available. The lenses are field changeable and are able to run continuously up to 40ft.

MOUNTING

Mounting brackets and/or screw in clips are provided to be attached to the channel allowing for the channel to be mounted directly into the ceiling/wall. This design is versatile for any location and easily moved.

CONSTRUCTION

- 15/16 IN DIMENSIONS: 1.15" W x 0.31" H
- 9/16 IN DIMENSIONS: 0.77" W x 0.31" H
- HOUSING: Anodized aluminum extrusion cut with high precision equipment with up to 98% reflectivity on the inside.
- HOUSING FINISH: Powder coated white by default; with black available, and the option for custom colors. This provides the channel with a smooth finish and a defined color.

ELECTRICAL

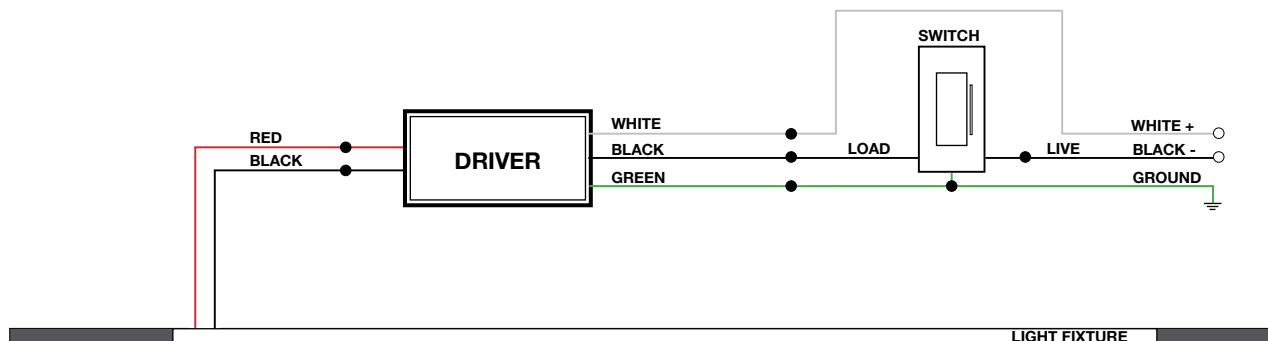
- There are six available drivers to choose from. All the LED drivers are mounted remotely and have 120-277VAC input.
- **MG driver:** forward phase 1% magnetic low voltage dimming (dims down to 1%) and flicker free
- **ZO driver:** 1% 0-10V dimming, flicker free, and IP65 rated for both indoor and outdoor use
- **NN driver:** non dimming, flicker free, and IP65 rated for both indoor and outdoor use
- **LUTRON DRIVER L2:** Hi-lume 1% 2-Wire LED Driver, provides continuous and flicker free dimming from 100% to 1%.
- **LUTRON DRIVER L3:** Hi-lume 1% EcoSystem 3-Wire Driver, provides continuous and flicker free dimming from 100% to 1%.
- **LUTRON DRIVER LP:** Hi-lume Premier 0.1% FadeToBlack EcoSystem 3-Wire Driver, provides continuous and flicker free dimming down to 0.1% when used with certain Lutron controls.
- **FEED:** 18" of wire provided with connection to a longer wire inside the beginning module.

LISTING/WARRANTY

- **WARRANTY:** 5 year limited warranty, ambient temperatures at fixture location should not exceed 40°C during normal operation.
- IP Protection: IP20
- CRI ≥ 95
- 50,000 hours lamp life
- US & International Patents Pending

■ WIRING DIAGRAM

Wiring diagram for a typical installation of the light fixture with a compatible driver and switch.

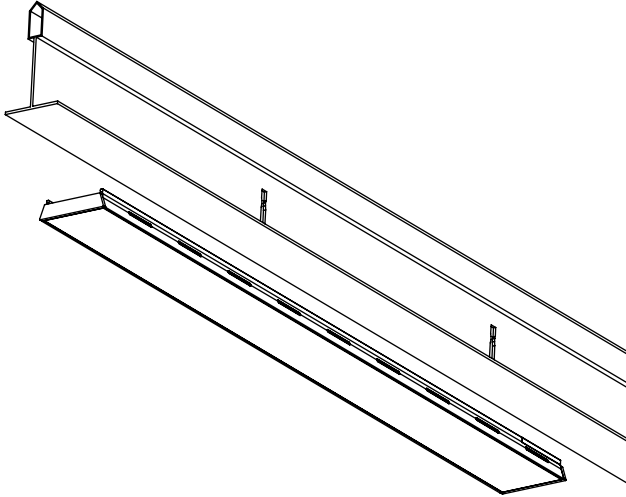


T-BAR MOUNTING

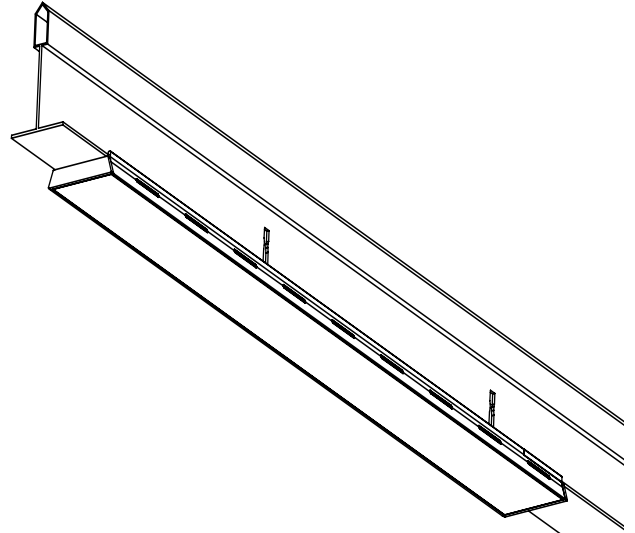


Warning: Electricians please read the instructions below

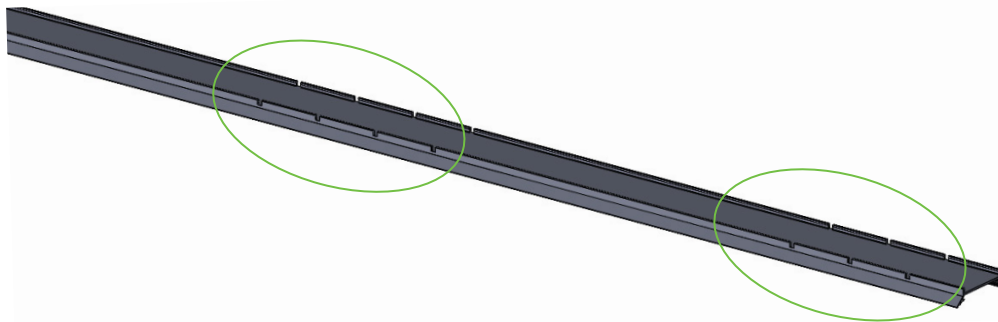
1. Attach Gridline to T-Bar mount as shown in Step 1 and Step 2
2. Using needle nose pliers press channel ends as shown in Step 4



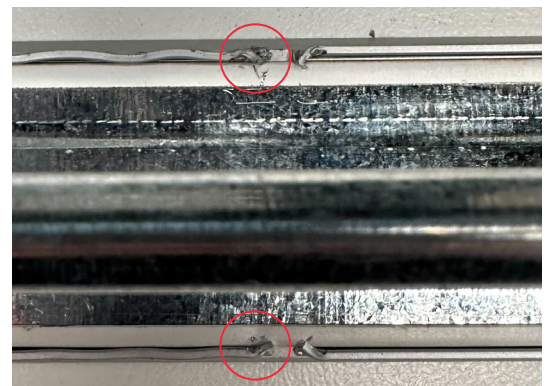
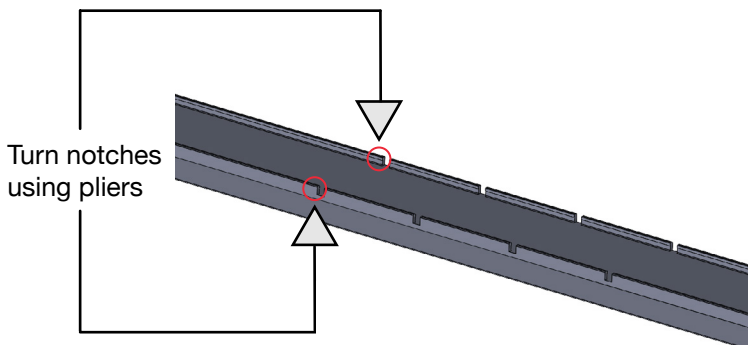
Step 1: Line up grid channel with the T-Bar at the desired location.



Step 2: Press grid channel into T-Bar to mount it.



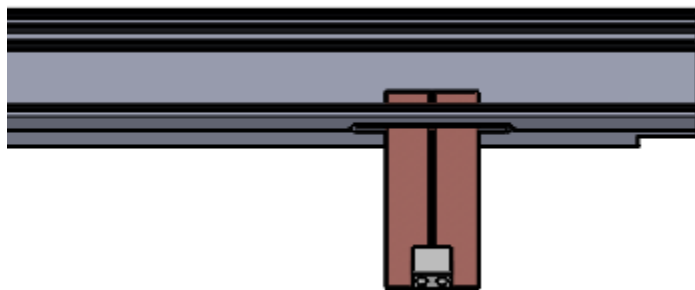
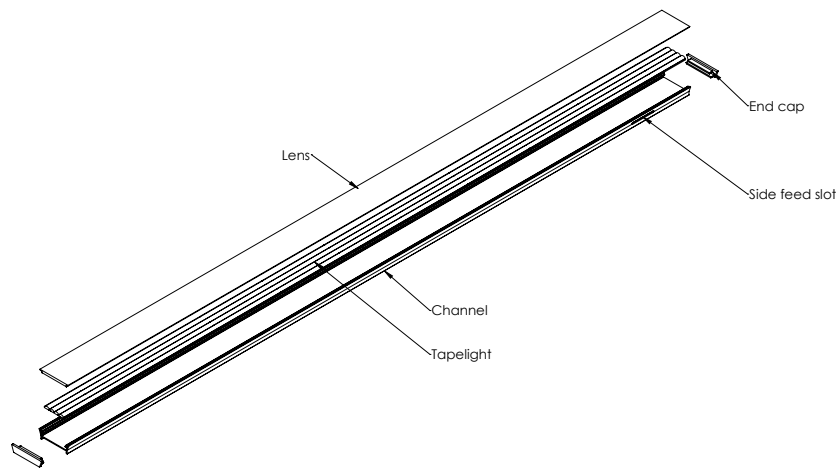
Step 3: Each circle represents 1 cluster of notches. The number of clusters per channel will depend on channel length. These notches will be used to secure the channel on the T-Bar.



Step 4: Use pliers to turn 2 of the notches **per cluster** inwards onto the T-Bar. The image on the right shows how the notches should look after they have been turned inwards.

Note: The image on the right shows that 4 notches are turned but please note that only 2 is required per cluster.

■ FIXTURE COMPONENTS

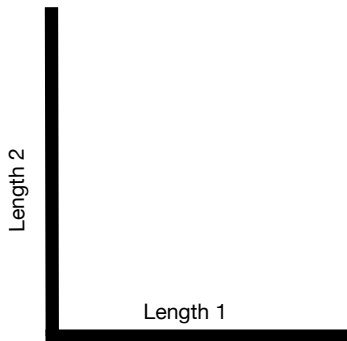


Note: ZNLT-GRID terminal comes out on the side of the side feed slot

CONFIGURATIONS

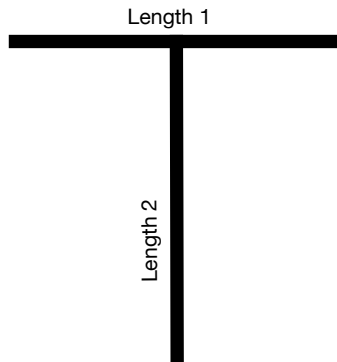
Type	Length 1		Length 2		Length 3	
L-Turn						
L	XX 'ft.	XX "in.	XX 'ft	XX "in.		
T-Connector						
T	XX 'ft	XX "in.	XX 'ft	XX "in.		
Plus Intersection						
P	XX 'ft	XX "in.	XX 'ft	XX "in.	XX 'ft	XX "in.
Square						
S	XX 'ft	XX "in.				
Rectangle						
R	XX 'ft	XX "in.	XX 'ft	XX "in.		

Example Product #: ZNLT-GRID-L-16'-14'



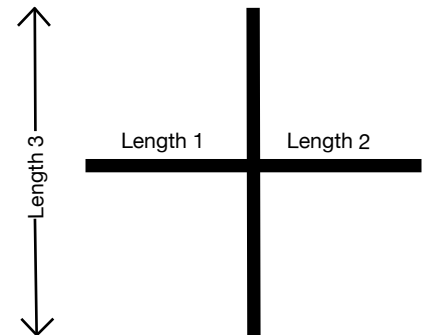
L-Turn

Purpose: To make a corner turn.



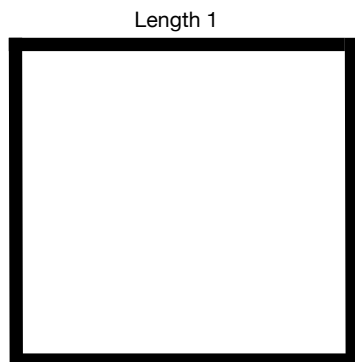
T-Connector

Purpose: For 90 degree turns, 3 way connections.



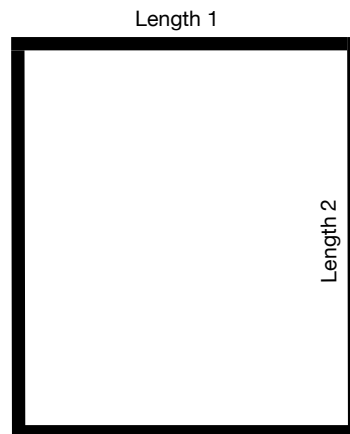
Plus Intersection

Purpose: For 90 degree turns, 4 way connections.



Square

Purpose: For square connections.



Rectangle

Purpose: For rectangle connections.