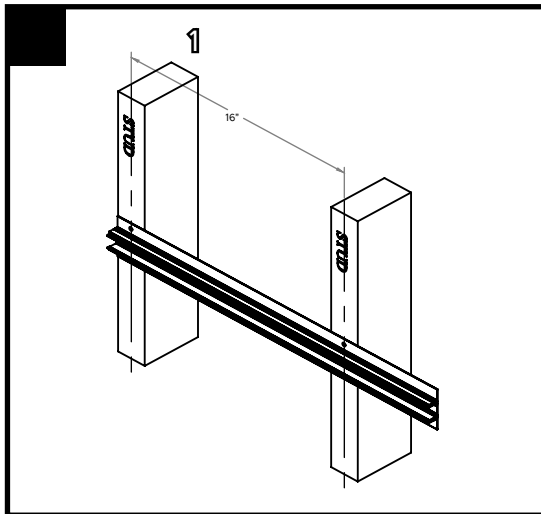
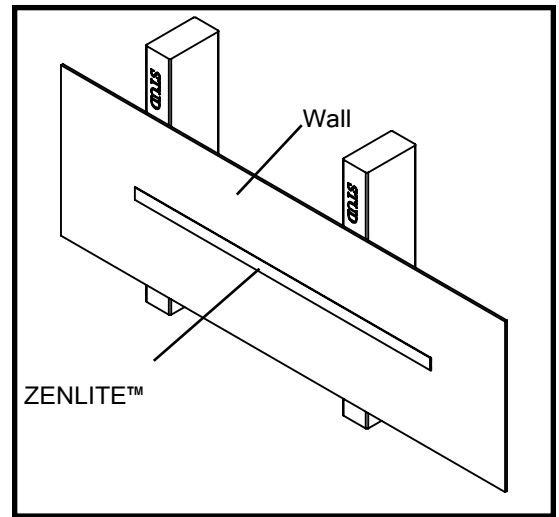
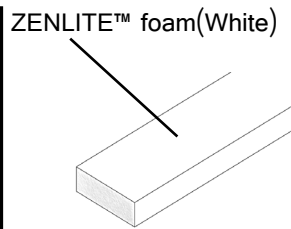


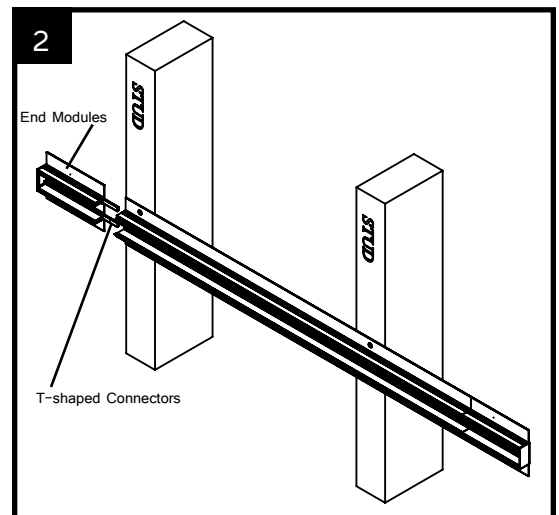
**!CAUTION!** To be used with Class 2 Power Units only.

## Scenario 01a: Horizontal Installation

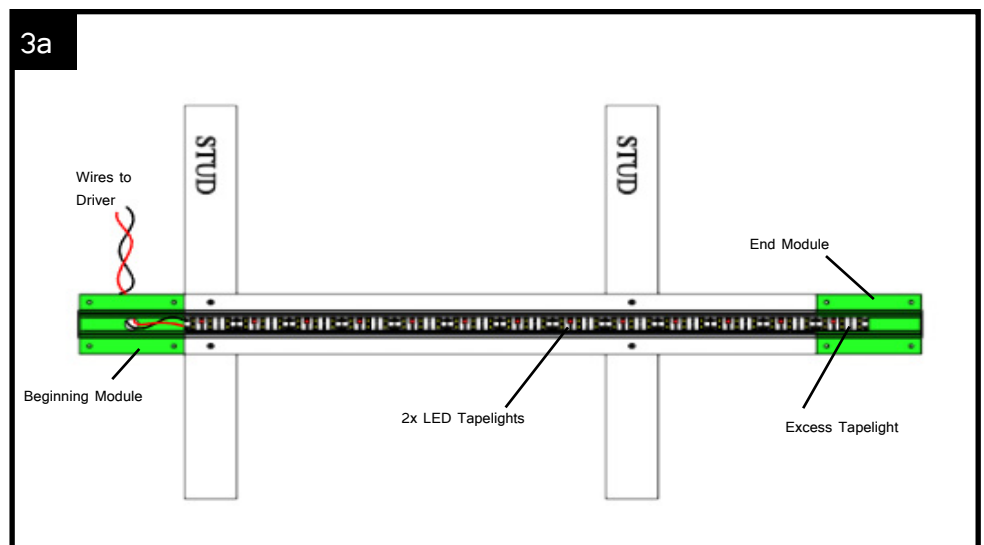
**IMPORTANT!**  
ZENLITE™ channel comes along with a white Styrofoam. Please don't dispense the foam as you will need it later in the process of installation. **Our new version of lens all come with blue tape on them which allows the lens to be installed first and plaster over it. The blue tape should be removed from lens shortly after the plaster is done.**



1. Place the ZENLITE™ channel at the desired location aligning its holes with studs and trimming off the excess length at either side. Mount the channel with two M3x16 Flat head countersunk screws at each stud.
2. Attach Beginning and end modules(Provided) at each end of the channel by means of T-Shaped connectors(Provided).

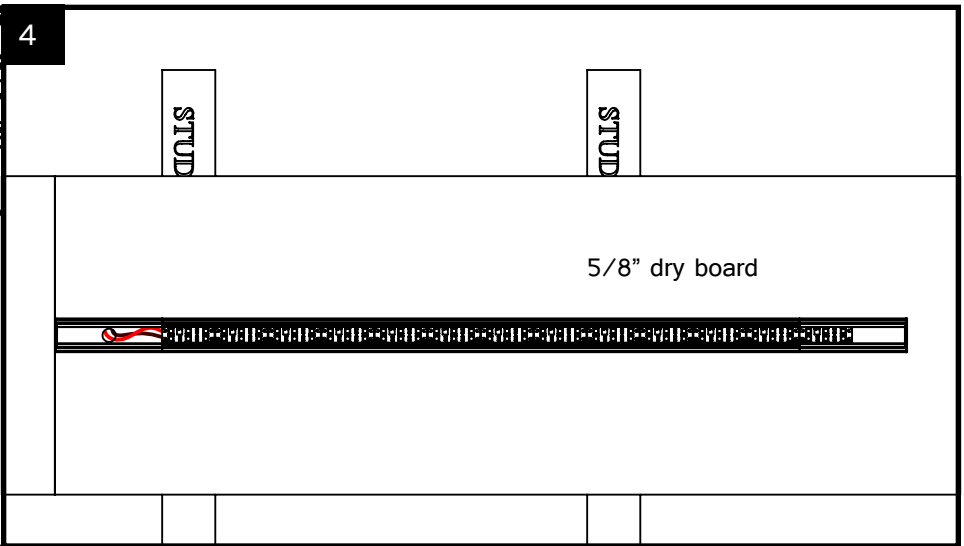
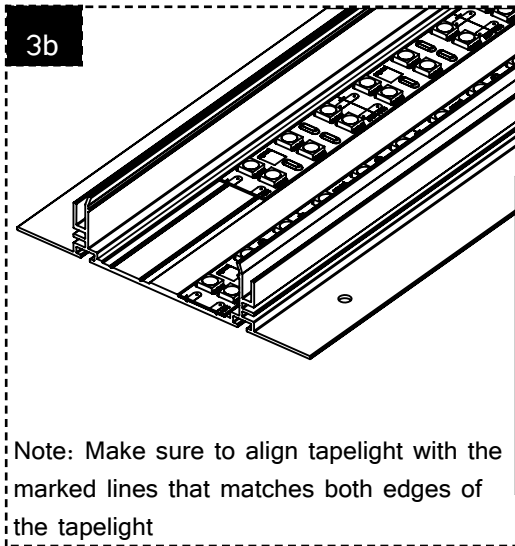


3. Install the tape lights over the marked lines in the channel after testing it as shown in figure 3b with the provided standard preciseLED driver(DRIV-MG-24V-96W\*) and removing its back adhesive covering. Accommodate in the end module the extra tapelight that cannot be trimmed down to the desired length.

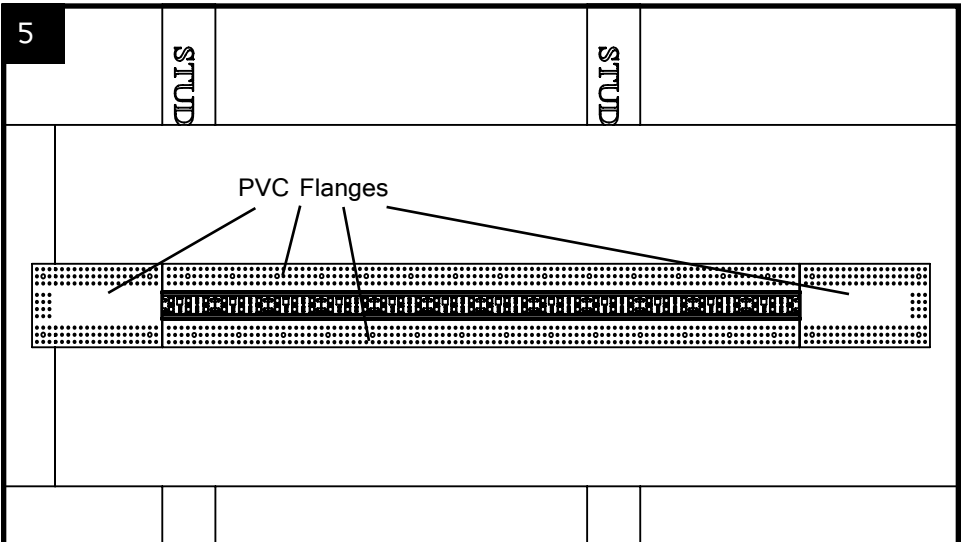


\* Based on your power requirements

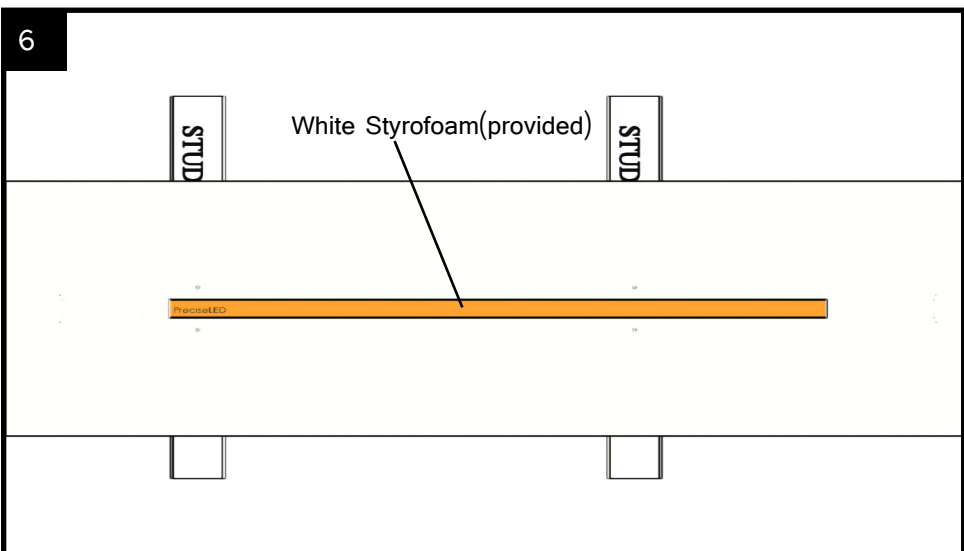
**!CAUTION!** To be used with Class 2 Power Units only.



4. Install 5/8" dry board with appropriate screws in aesthetic finish.
5. Install the provided PVC flanges over the sides of the ZENLITE™ flanges and end modules for smooth edge finish after spackling and plaster. Use M3 Flat head countersunk screws to mount the flanges flushed with the 5/8" dry board/sheet rock.



6. Before applying the finishing plaster secure and cover the LED tapelight enclosure with the white Styrofoam provided with the ZENLITE™ channel and duct tape to obtain clean enclosure and flushed lighting fixture. Once the enclosure is properly secured apply a fine quality plaster to give the final touch to the wall.



7. Remove the white Styrofoam and install the provided lens in place.
8. **Our new version of lens all come with blue tape on them which allows the lens to be installed first and plaster over it. The blue tape should be removed from lens shortly after the plaster is done.**

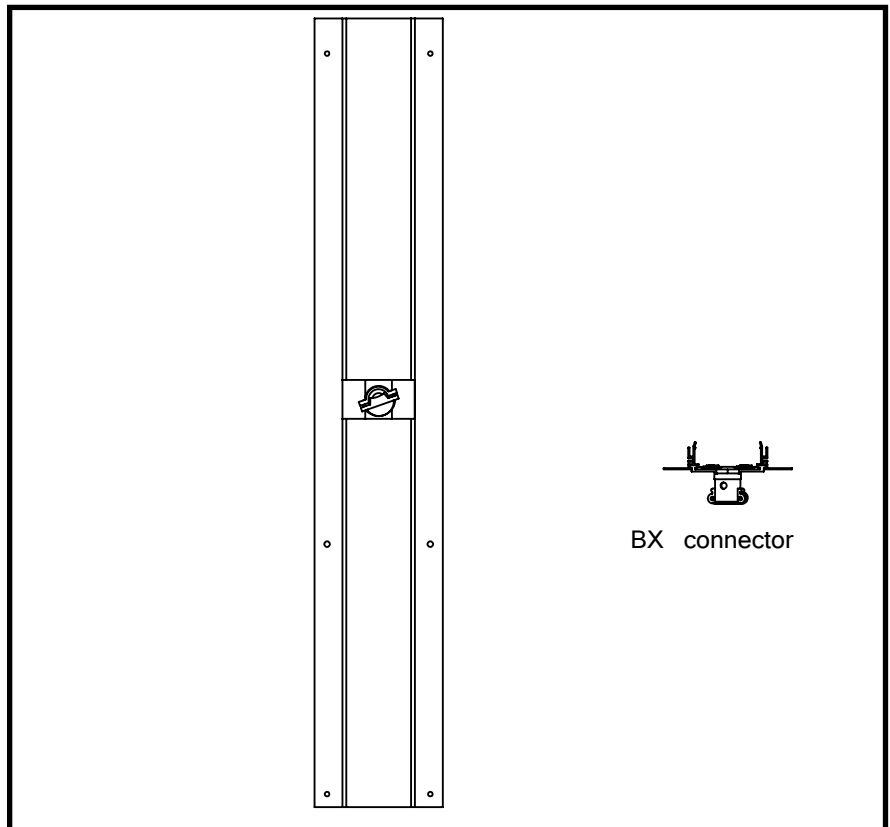
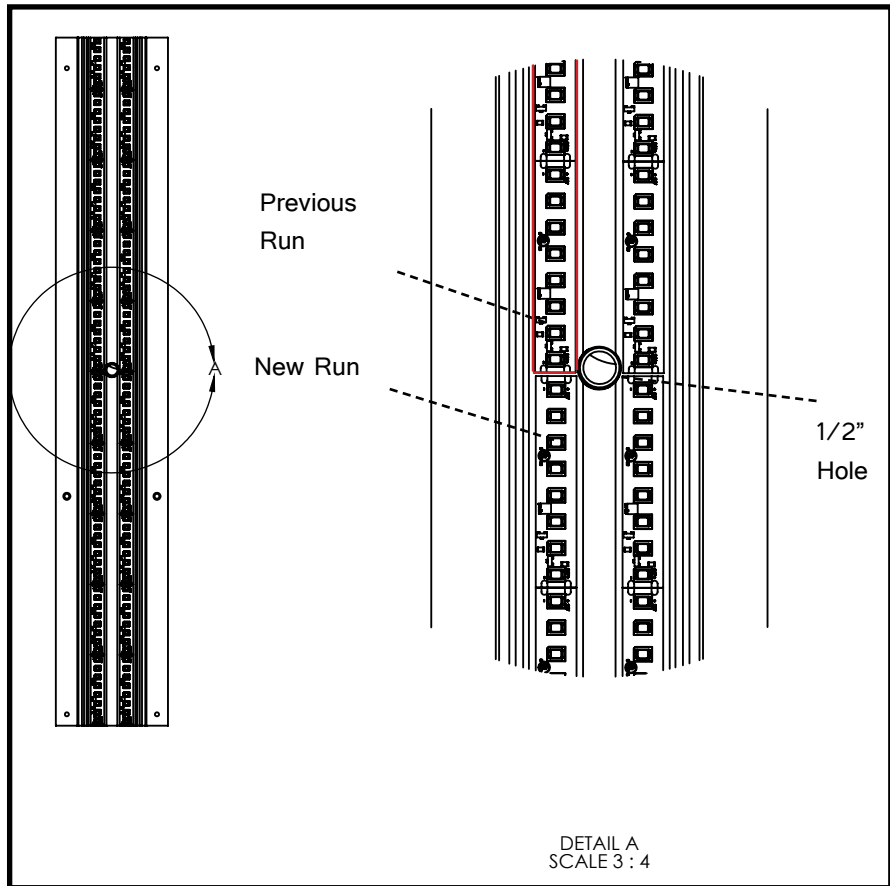
**!CAUTION!** To be used with Class 2 Power Units only.

## ■ Scenario 01b: Longer Runs Connection

Each tape light has a max run, it is defined by the maximum length of the tape light can be supported by our 96W driver.

If the max run length is exceeded, then a new power feed is needed. A 1/2" hole and bx connector will be installed.

Install tape light adjacent to each other, make sure there is minimum distance between two runs to avoid any dark spot. Hide all the excess lead wire into the 1/2" hole.

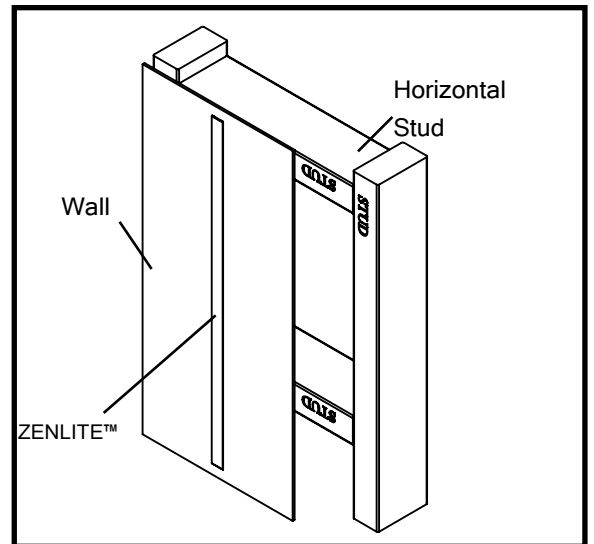


**!CAUTION!**

To be used with Class 2 Power Units only.

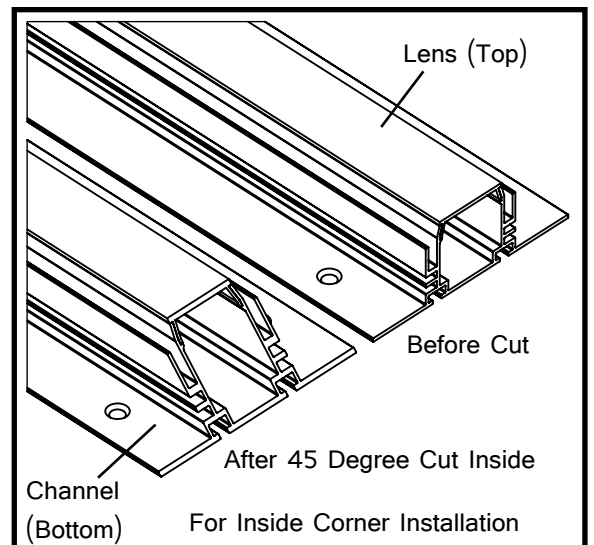
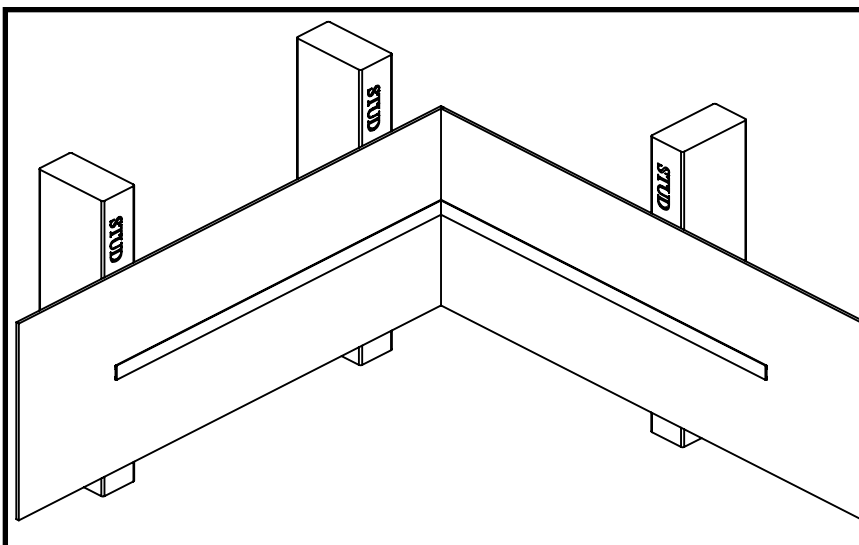
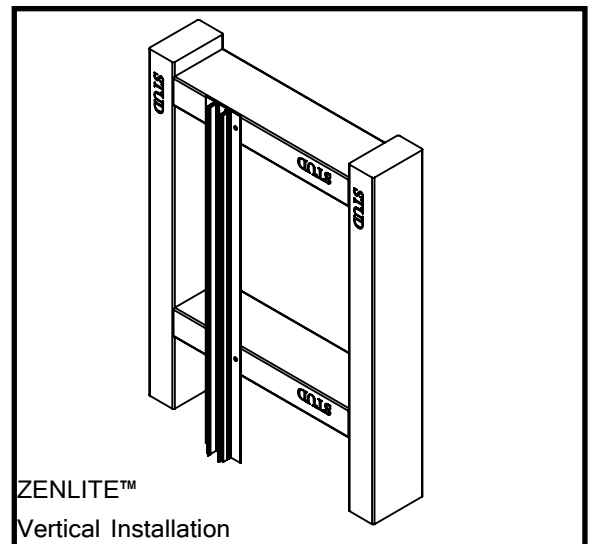
## ■ Scenario 02: Vertical Installation

ZENLITE™'s vertical Installation is similar in nature to its horizontal installation but may require some preliminary steps as shown. The difference in ZENLITE™'s vertical installation is the installment of horizontal studs in between two vertical studs in order to support the ZENLITE™ channel at the desired location.



## ■ Scenario 03: Inside Corner Installation

For corner installation ZENLITE™ channel and lens will be cut at a 45 Degree Angle as shown in the bottom right illustration.

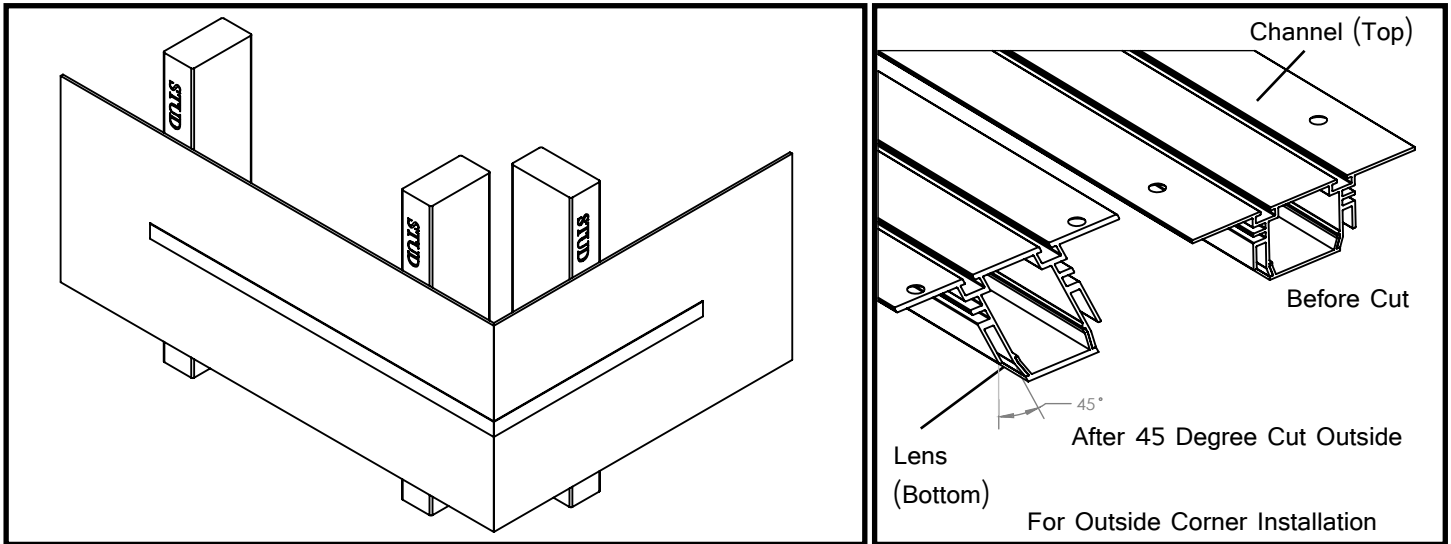


**!CAUTION!**

To be used with Class 2 Power Units only.

## ■ Scenario 04: Outside Corner Installation

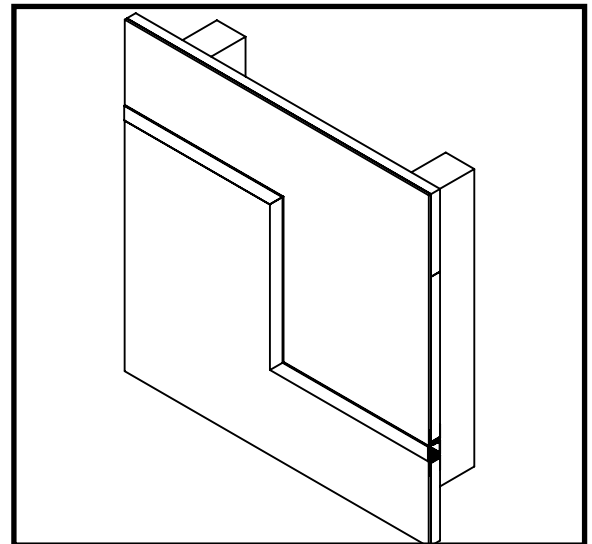
For outside corner installation ZENLITE™'s channel and lens will be cut at a 45 Degree Angle as shown in the bottom right illustration.



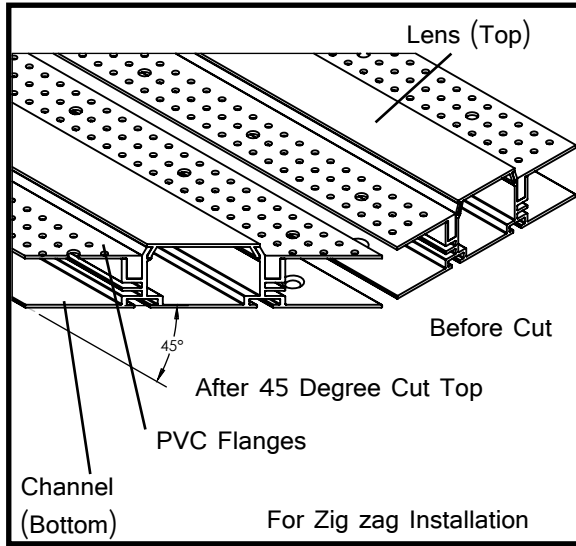
## ■ Scenario 05: Zig-Zag installation

For Zig-Zag installation, We need to review both horizontal and vertical installation described earlier. Following changes need to be made in the process

1. ZENLITE™ channels, lens and flanges will be miter cut at a 45 degree angle at the end of the channel.
2. Install tape lights on the back of the channel as shown in Scenario 01b.
3. Horizontal studs in between two vertical studs may be required as described in ZENLITE™'s vertical installation section

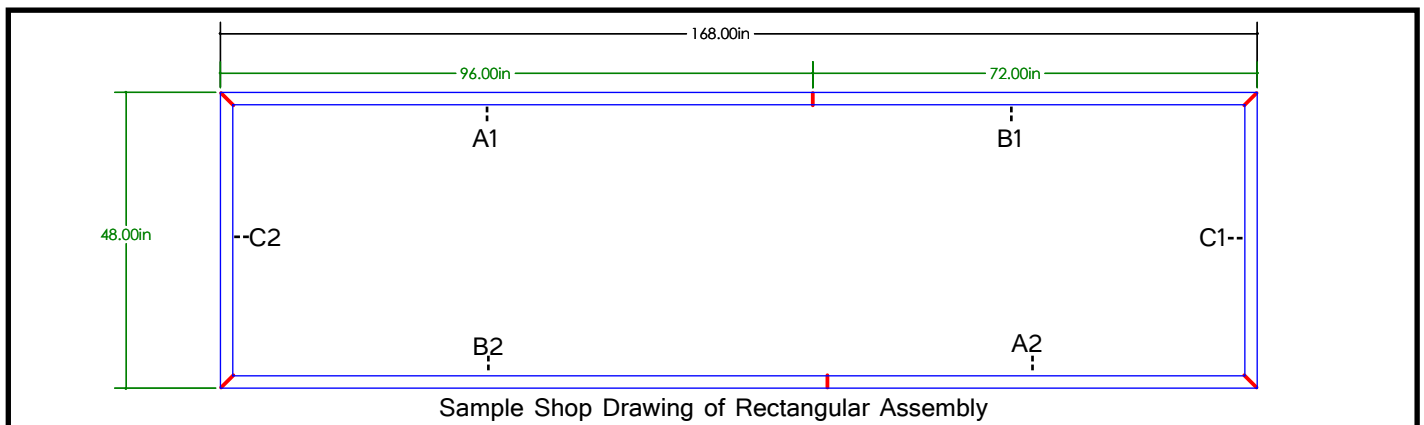


**!CAUTION!** To be used with Class 2 Power Units only.



## ■ Scenario 06: Customized Designs Installation

Each customized installation will come with a shop drawing. Each section of the channel and lens will be assigned a label(A,B,C etc), which will also be indicated on the shop drawing. Connect the channels and install lens according to the layout on the shop drawing.



## ■ Scenario 07: Deadend Installation

Our ZENLITE™ family can accommodate a line of ceiling light from wall to wall, or a line of wall light from ceiling to floor.

In such scenario, the 5 inch beginning and end module will be replaced by custom made beginning and end cap. Feed the power supply through the hole on the beginning cap.

