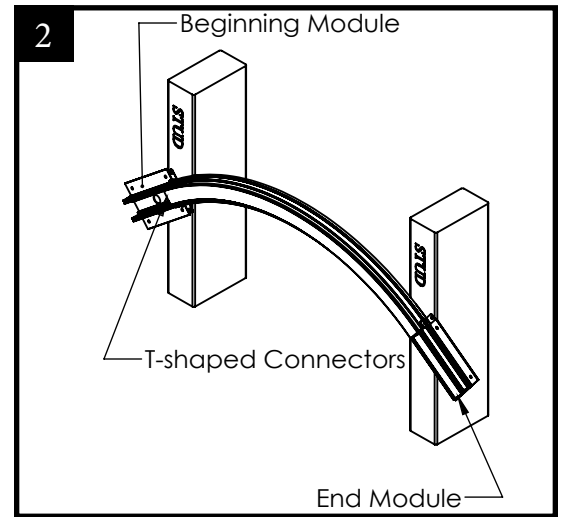
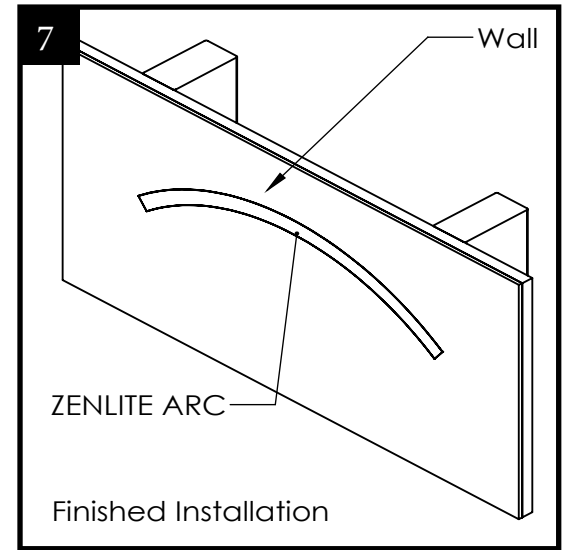
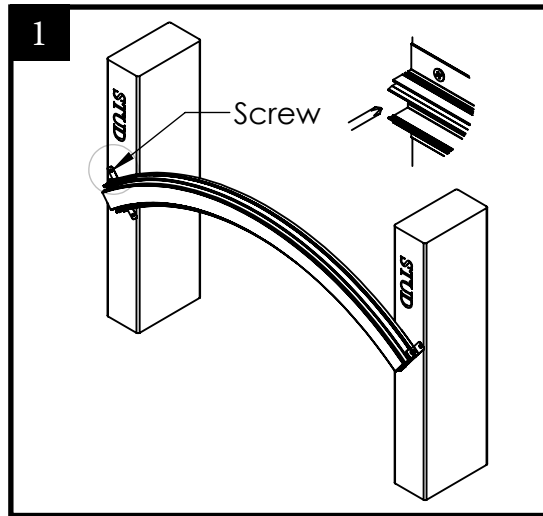
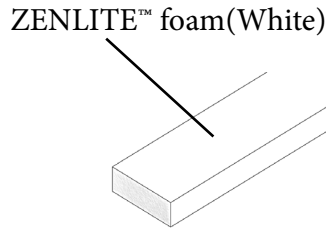


!CAUTION!

To be used with Class 2 Power Units only.

■ **Scenario 01: Horizontal Installation**

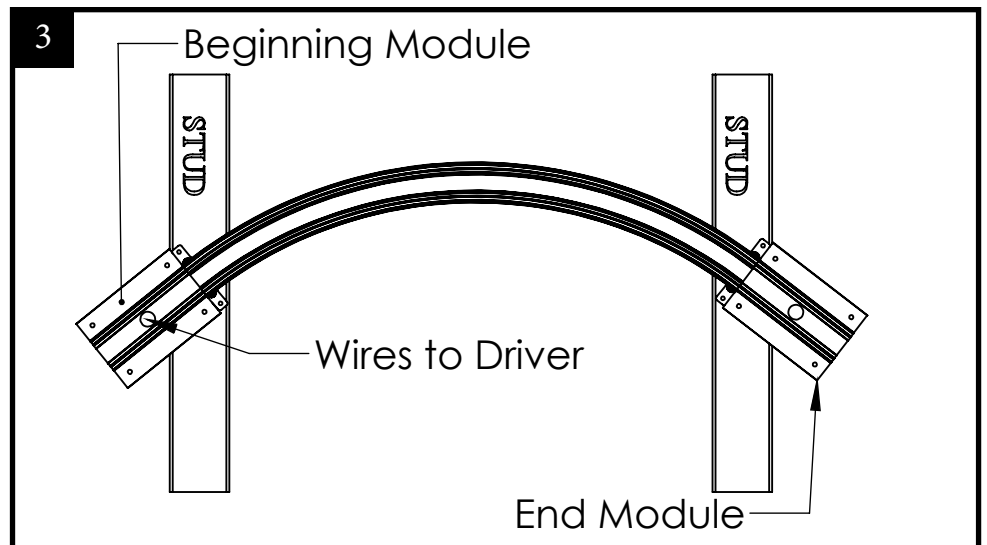
IMPORTANT!
ZENLITE™ channel comes along with a white Styrofoam. Please don't dispense the foam as you will need it later in the process of installation.



1. Place the ZENLITE ARC™ channel at the desired location aligning its holes with studs and trimming off the excess length at either side. Mount the channel with two M3x16 Flat head countersunk screws at each stud.
2. Attach Beginning and end modules(Provided) at each end of the channel by means of T-Shaped connectors(Provided).

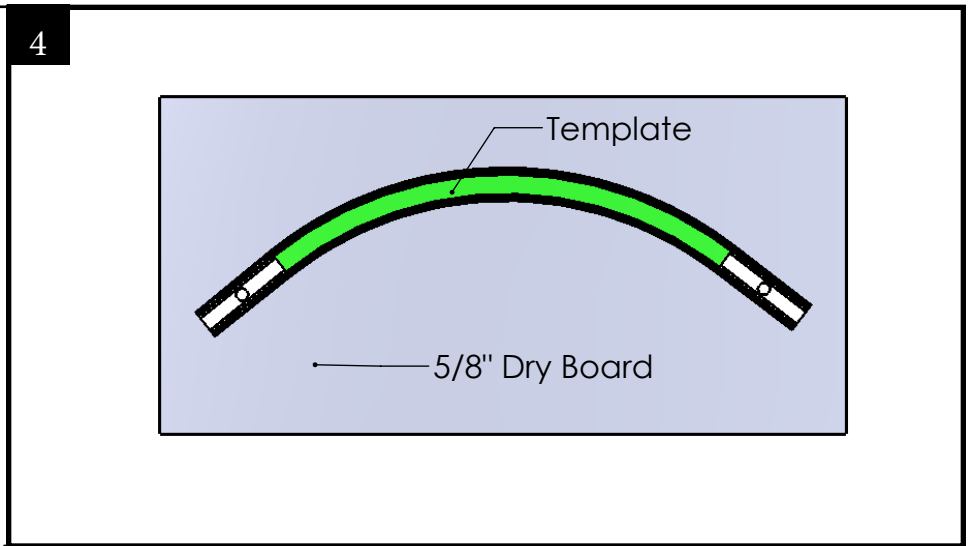
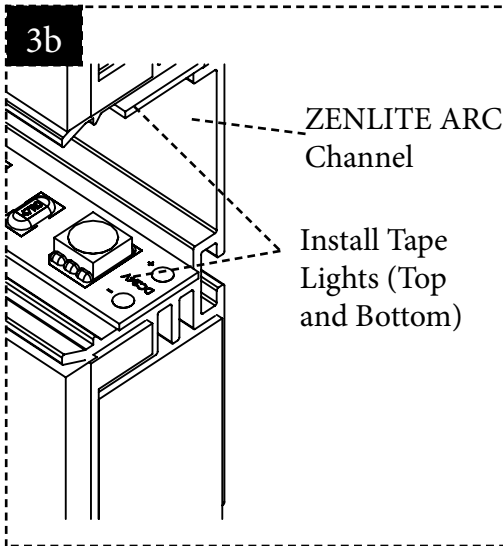
3. Install the tape lights over the marked lines in the channel after testing it as shown in figure 3b with the provided standard preciseLED driver(DRIV-MD-24V-100W*) and removing its back adhesive covering. Accommodate in the end module the extra tapelight that cannot be trimmed down to the desired length.

* Based on your power requirements



!CAUTION!

To be used with Class 2 Power Units only.

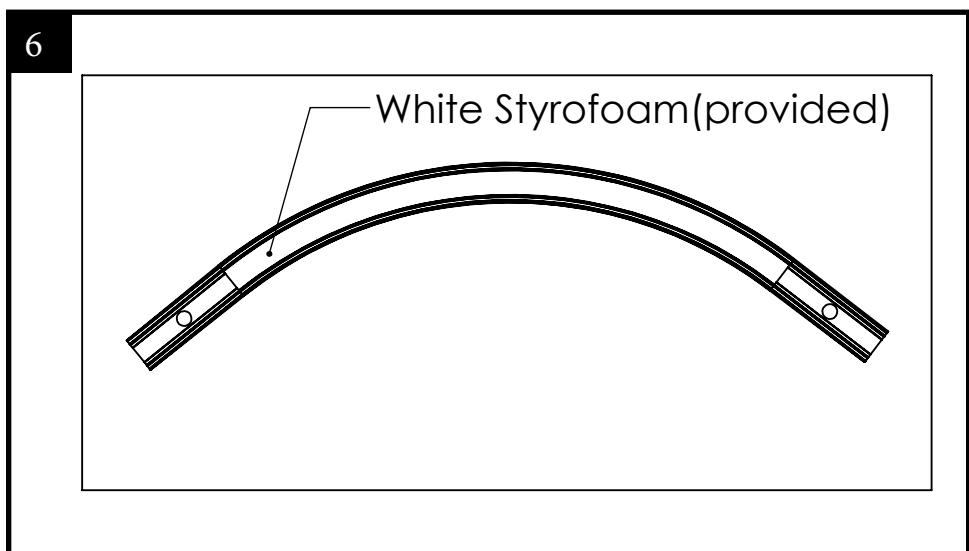
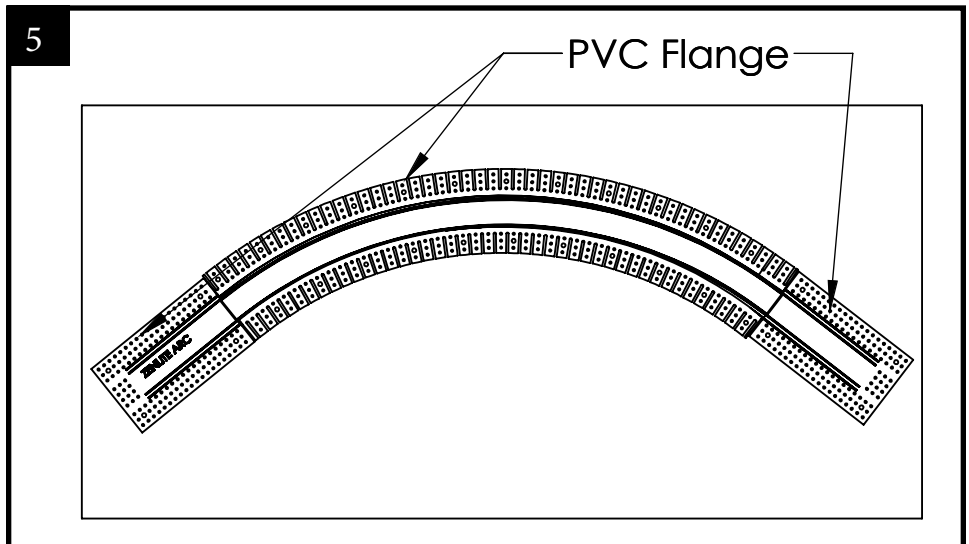


4. Install 5/8" dry board with appropriate screws in aesthetic finish. Cut the dry board accordingly using the template provided.

5. Install the provided PVC flanges over the sides of the ZENLITE ARC™ flanges and end modules for smooth edge finish after spackling and plaster. Use M3 Flat head countersunk screws to mount the flanges flush with the 5/8" dry board/sheet rock.

6. Before applying the finishing plaster secure and cover the LED tapelight enclosure with the white Styrofoam provided with the ZENLITE ARC™ channel and duct tape to obtain clean enclosure and flushed lighting fixture. Once the enclosure is properly secured apply a fine quality plaster to give the final touch to the wall.

7. Remove the white Styrofoam and install the provided lens in place.



!CAUTION!

To be used with Class 2 Power Units only.

■ **Scenario 02: Full Circle Installation**

ZENLITE ARC™'s full circle Installation is similar in nature to its horizontal installation.

The difference in ZENLITE ARC™'s full circle installation is the installment of horizontal studs in between two vertical studs in order to support the ZENLITE ARC™ channel at the desired location. Also, there will not be beginning and end modules.

■ **Scenario 03: Inside Corner Installation**

For corner installation ZENLITE ARC™'s channel and lens require to be cut at a 45 Degree Angle as shown in the bottom right illustration.

