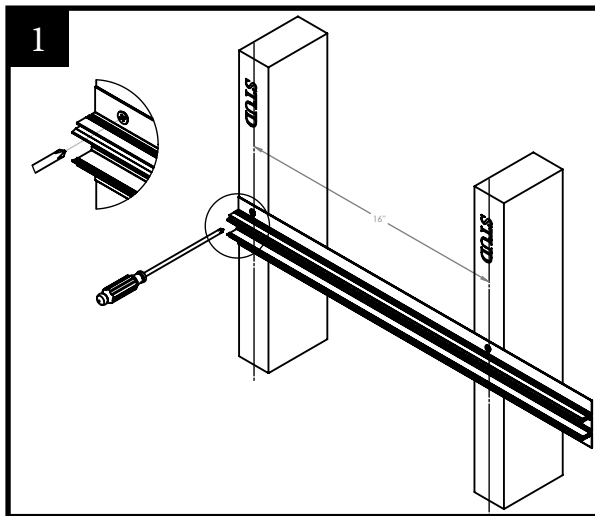
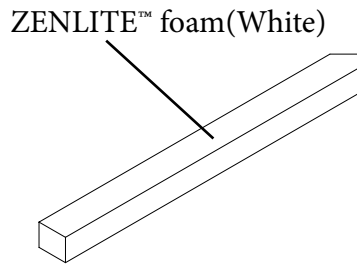


!CAUTION! To be used with Class 2 Power Units only.

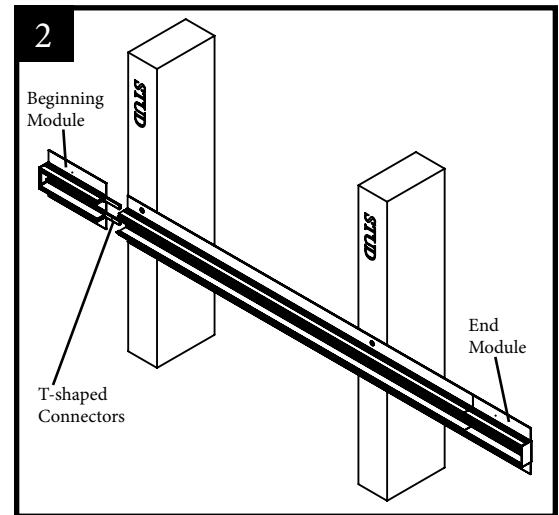
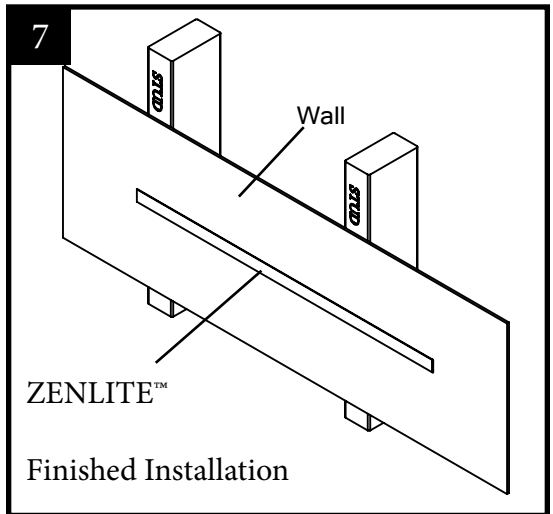
■ **Scenario 01: Horizontal Installation**

IMPORTANT!
ZENLITE™ channel comes along with a white Styrofoam. Please don't dispense the foam as you will need it later in the process of installation.



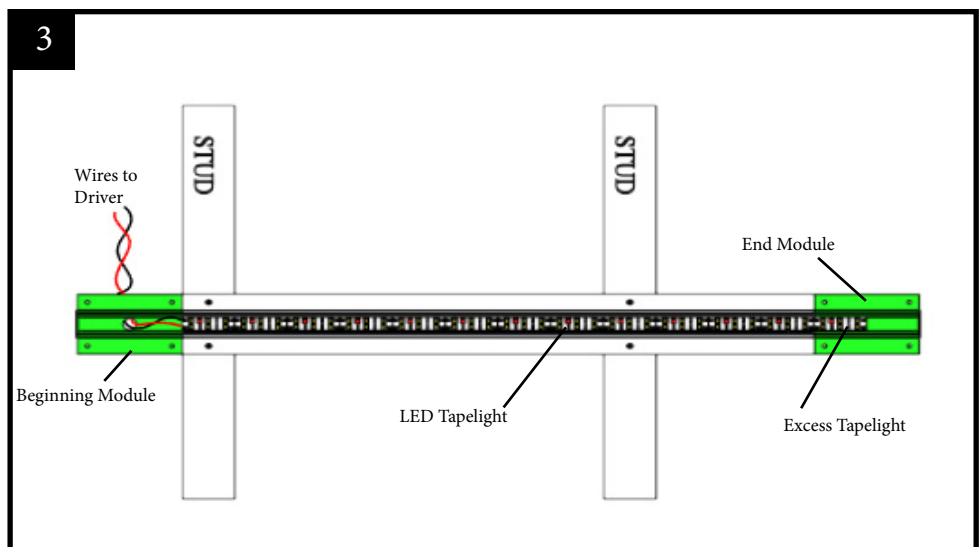
1. Place the ZENLITE™ channel at the desired location aligning its holes with studs and trimming off the excess length at either side. Mount the channel with two M3x16 Flat head countersunk screws at each stud.

2. Attach Beginning and end modules(Provided) at each end of the channel by means of T-Shaped connectors(Provided).v



3. Install the tape light in the channel after testing it with the provided standard preciseLED driver(DRIV-MD-24V-100W*) and removing its back adhesive covering. Accommodate in the end module the extra tapelight that cannot be trimmed down to the desired length.

* Based on your power requirements



!CAUTION!

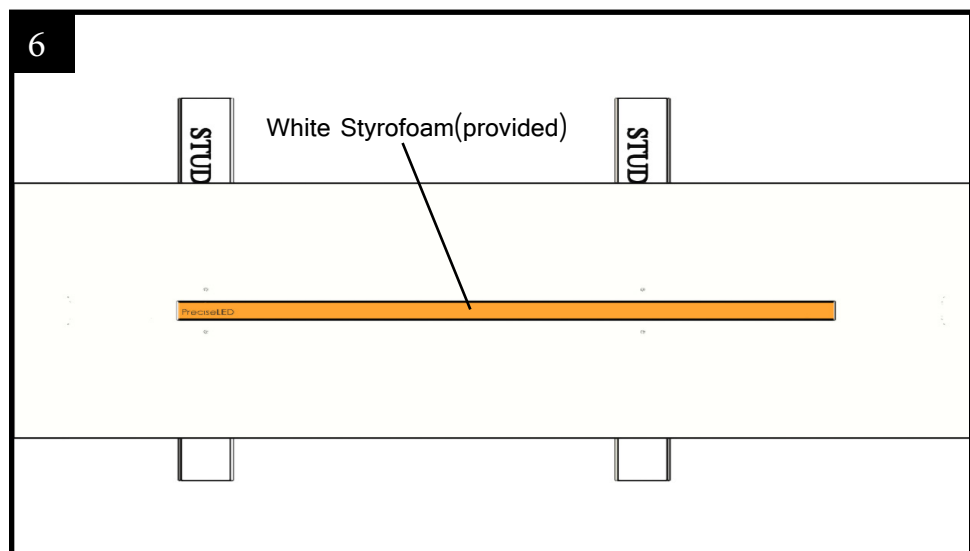
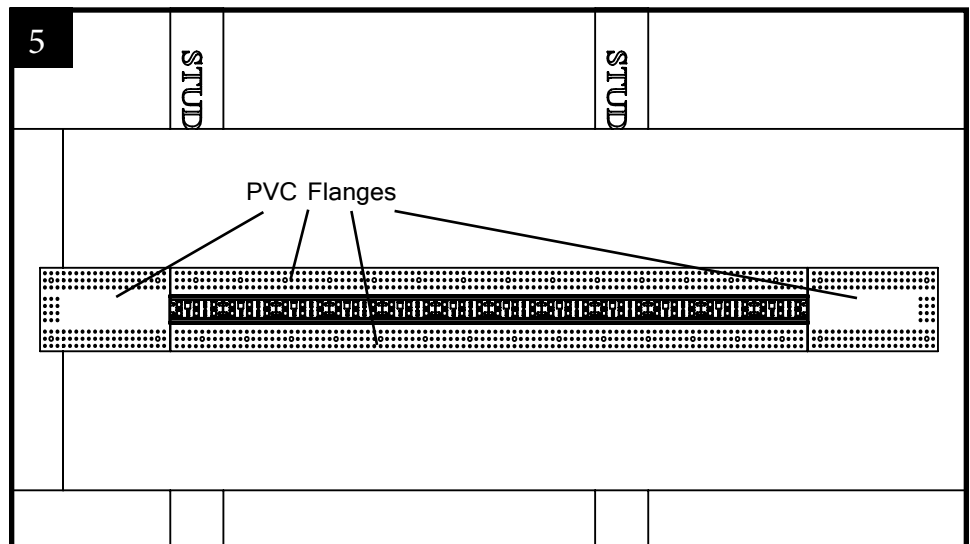
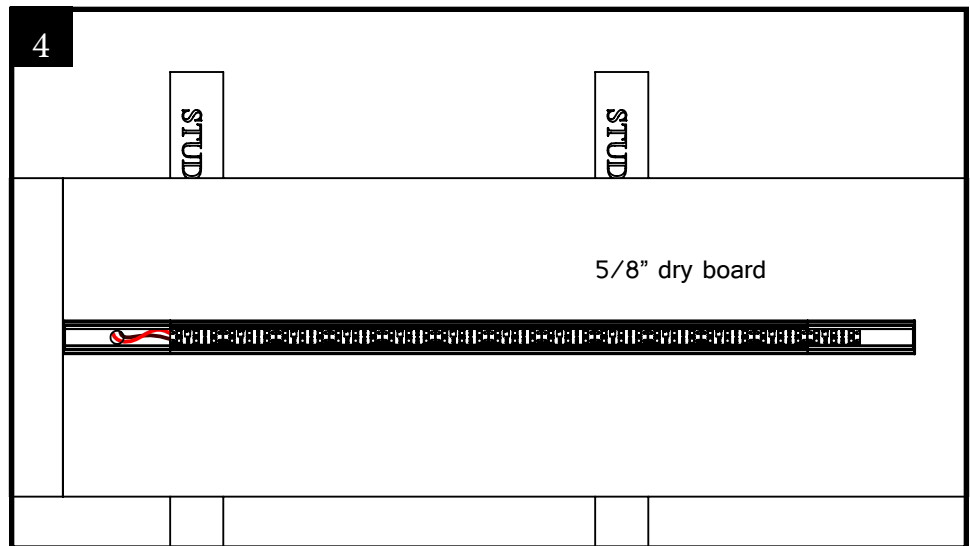
To be used with Class 2 Power Units only.

4. Install 5/8" drywall with appropriate screws in aesthetic finish.

5. Install the provided PVC flanges over the sides of the ZENLITE™ flanges and end modules for smooth edge finish after spackling and plaster. Use M3 Flat head countersunk screws to mount the flanges flushed with the 5/8" drywall/sheet rock.

6. Before applying the finishing plaster secure and cover the LED tapelight enclosure with the Styrofoam provided with the ZENLITE™ channel and duct tape to obtain clean enclosure and flushed lighting fixture. Once the enclosure is properly secured apply a fine quality plaster to give the final touch to the wall.

7. Remove the Styrofoam. Make sure there is no residual paint or plaster present left inside the enclosure. If necessary, clean the inside of the fixture with a dry cloth gently and install the provided lens in place.

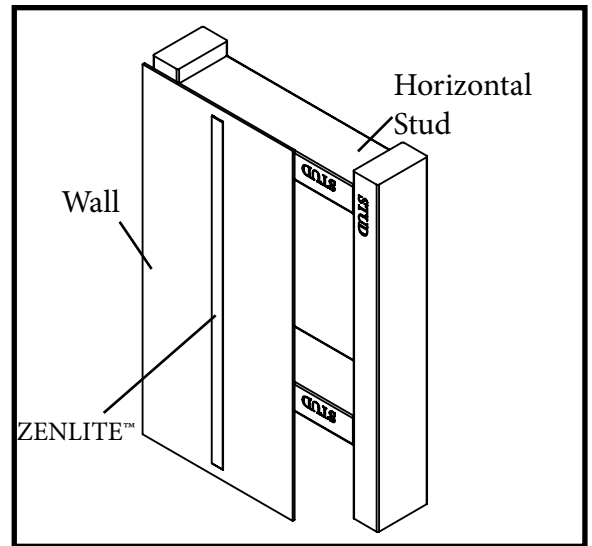


!CAUTION! To be used with Class 2 Power Units only.

■ Scenario 02: Vertical Installation

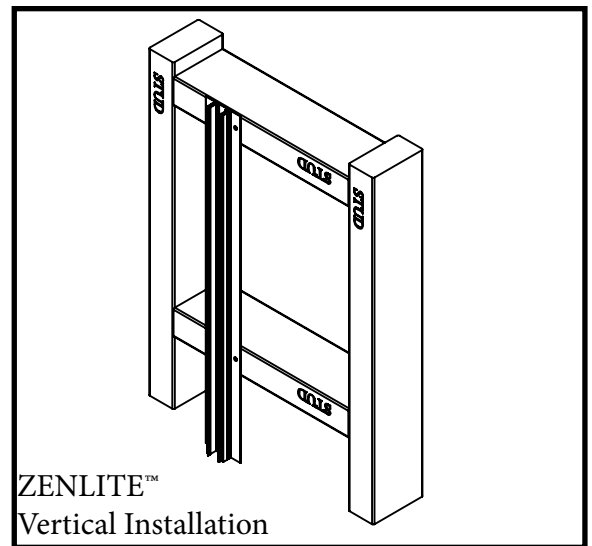
ZENLITE™'s vertical Installation is similar in nature to its horizontal installation but may require some preliminary steps as shown.

The difference in ZENLITE™'s vertical installation is the installation of horizontal studs in between two vertical studs in order to support the ZENLITE™ channel at the desired location.



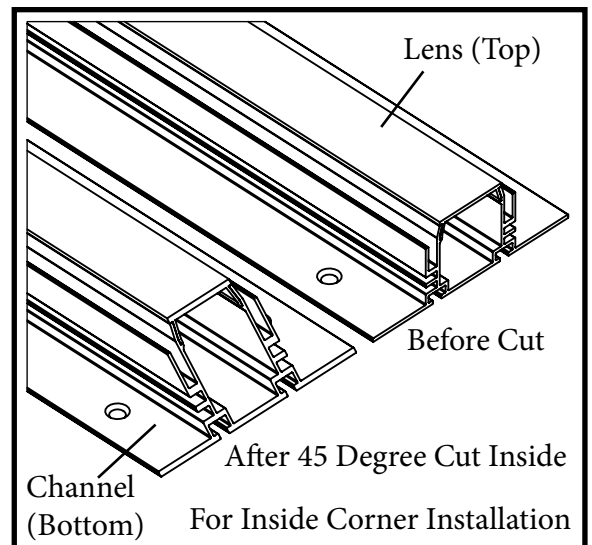
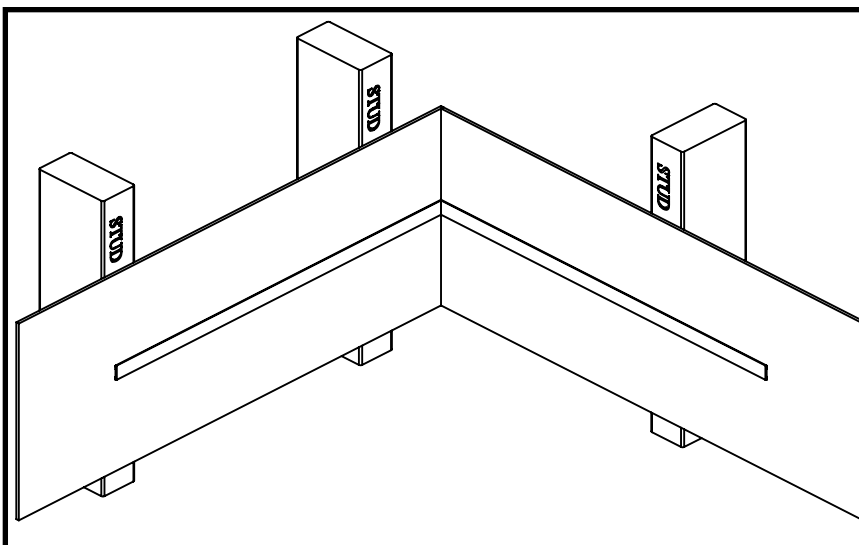
ZENLITE™'s vertical Installation is similar in nature to its horizontal installation but may require some preliminary steps as shown.

The difference in ZENLITE™'s vertical installation is the installation of horizontal studs in between two vertical studs in order to support the ZENLITE™ channel at the desired location.



■ Scenario 03: Inside Corner Installation

For corner installation ZENLITE™'s channel and lens require to be cut at a 45 Degree Angle as shown in the bottom right illustration.

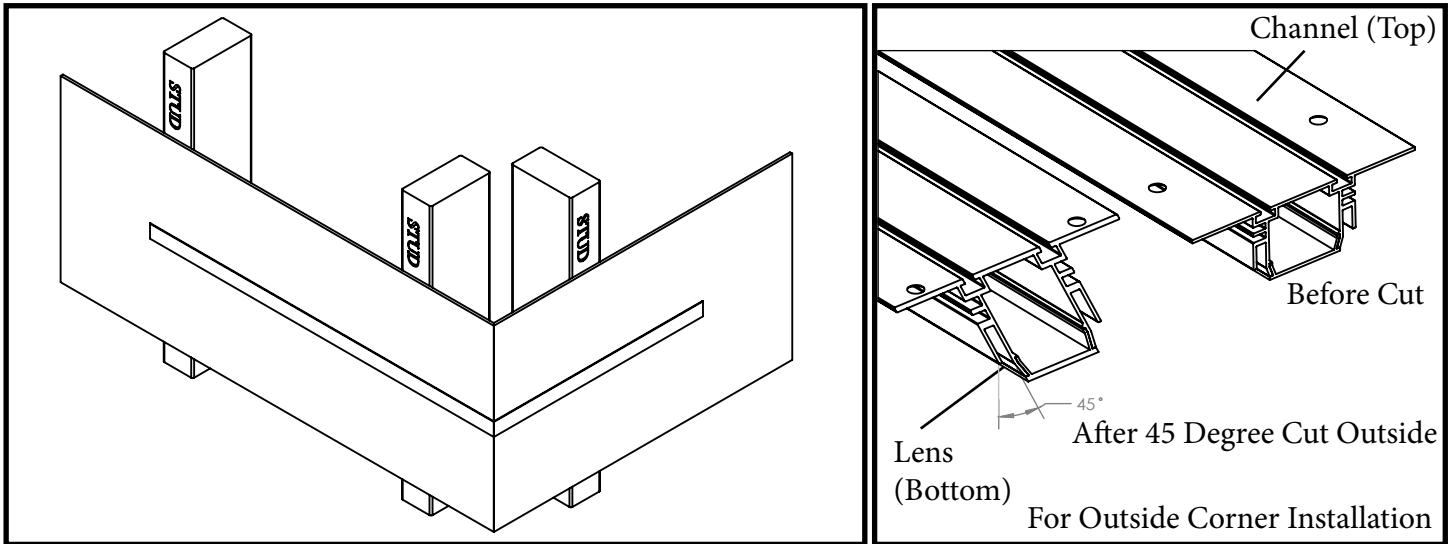


!CAUTION!

To be used with Class 2 Power Units only.

■ Scenario 03: Outside Corner Installation

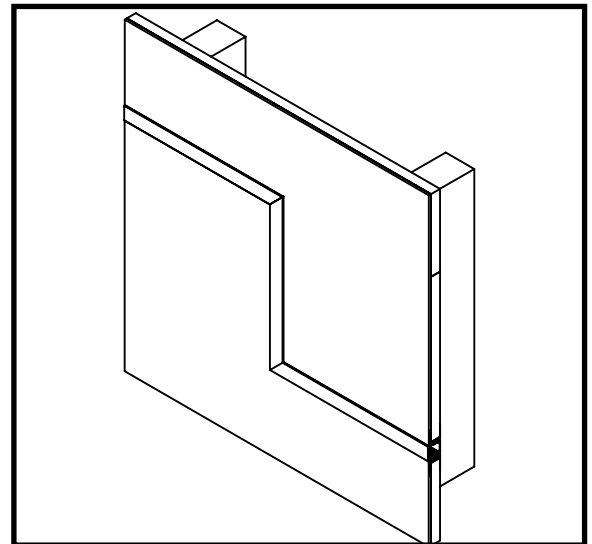
For outside corner installation ZENLITE™'s channel and lens require to be cut at a 45 Degree Angle as shown in the bottom right illustration.



■ Scenario 04: Zig-Zag installation

For Zig-Zag installation, We need to review both horizontal and vertical installation described earlier. Following changes need to be made in the process

1. ZENLITE™'s channel and lens need to be cut at a 45 Degree angle from the front.
2. Two tapelights must be installed at the side walls of the ZENLITE™ channel unlike conventional layout in all the previous installations where the tapelight lays at the bottom of the channel
3. Horizontal studs in between two vertical studs may be required as described in ZENLITE™'s vertical installation section



!CAUTION! To be used with Class 2 Power Units only.

Also for Zig-Zag installation,

- 4. PVC flanges need to be cut at 45 Degree.

