

**!CAUTION!**

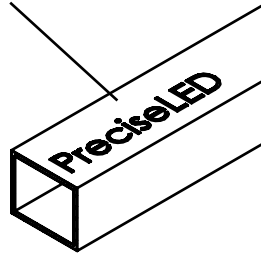
To be used with Class 2 Power Units only.

## ZENLITE™ ZIG-ZAG INSTALLATION

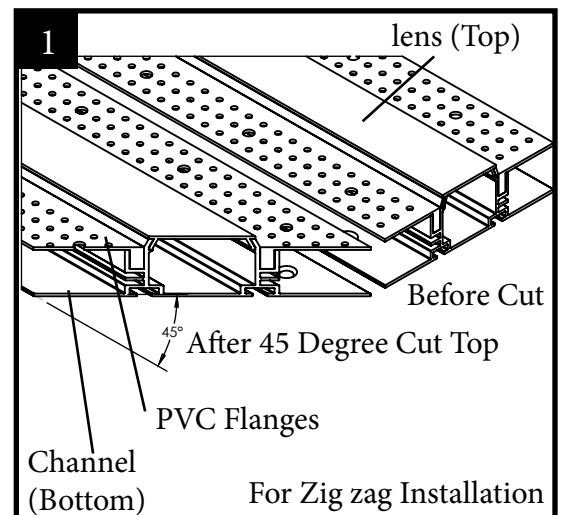
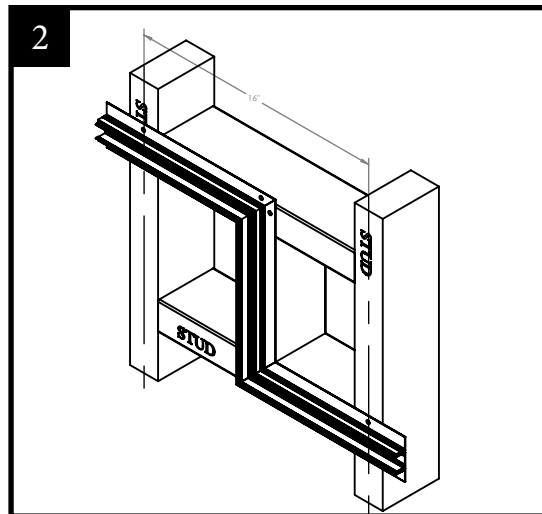
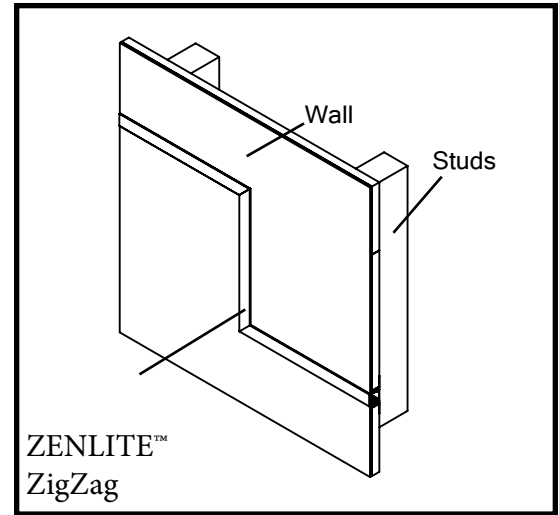
### IMPORTANT!

ZENLITE™ channel comes along with a paper-made box board. Please don't dispense the box board as you will need it later in the process of installation.

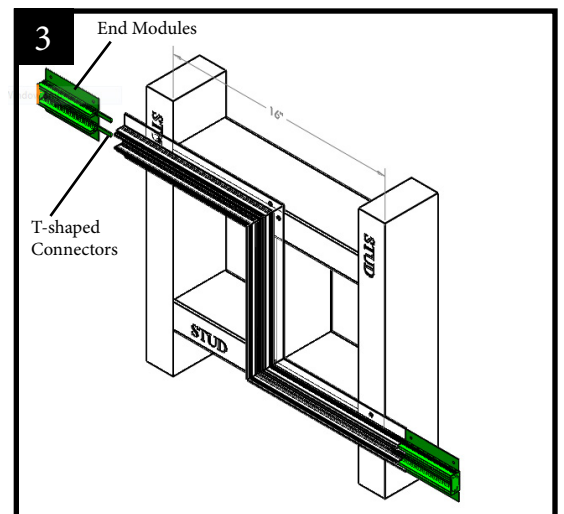
ZENLITE™ box



1. ZENLITE™ channel, PVC flanges(Provided) and lens need to be cut at a 45 Degree angle from the front before installation.
2. After the cuts, place the ZENLITE™ channel at the desired location on the wall /cieling aligning its holes with studs and trimming off the excess length at either side. Mount the channel with M3 Flat head countersunk screws at each stud. Extra studs may need to be installed for extra support in certain conditions as shown.
3. Attach end modules(Provided) at each end of the channel

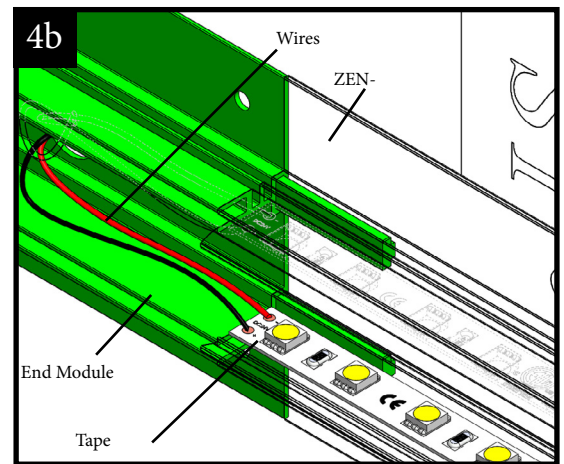
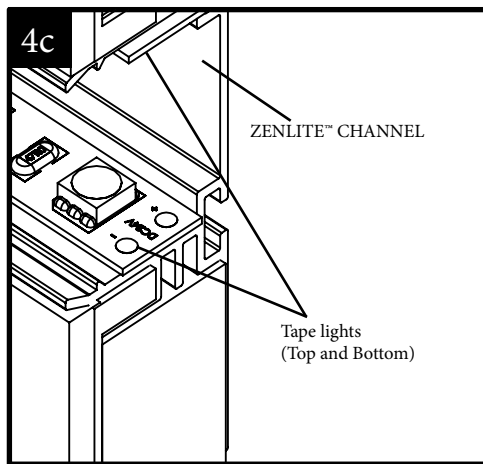
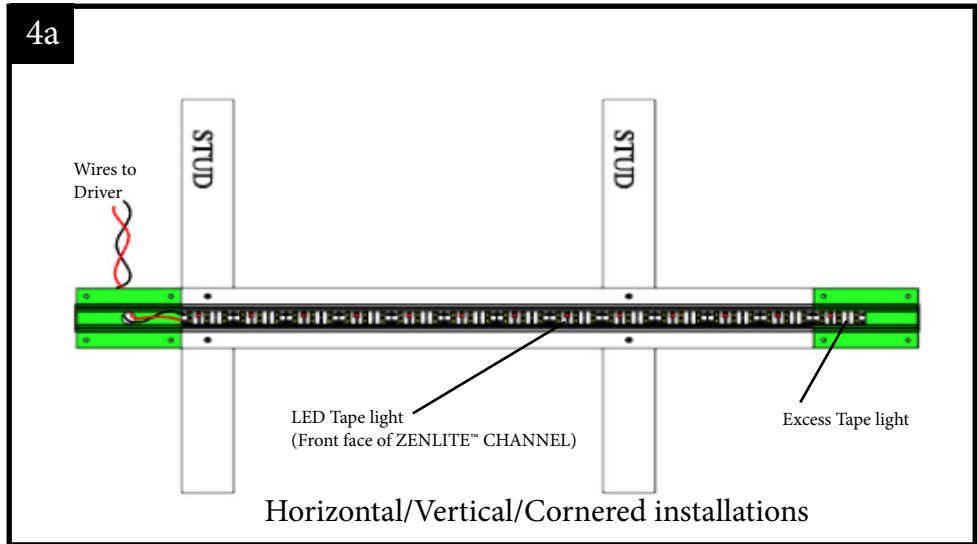


4. Install the tape light in the channel after testing it with the provided standard preciseLED driver(DRIV-MD-24V-100W\*) by removing its back adhesive covering. Please note that in zigzag installation the tape light has to be installed on the sidewalls(Top/Bottom) of the ZENLITE™ channel as shown in the illustration. Accommodate in the end module the extra tape light that cannot be trimmed down to the desired length.



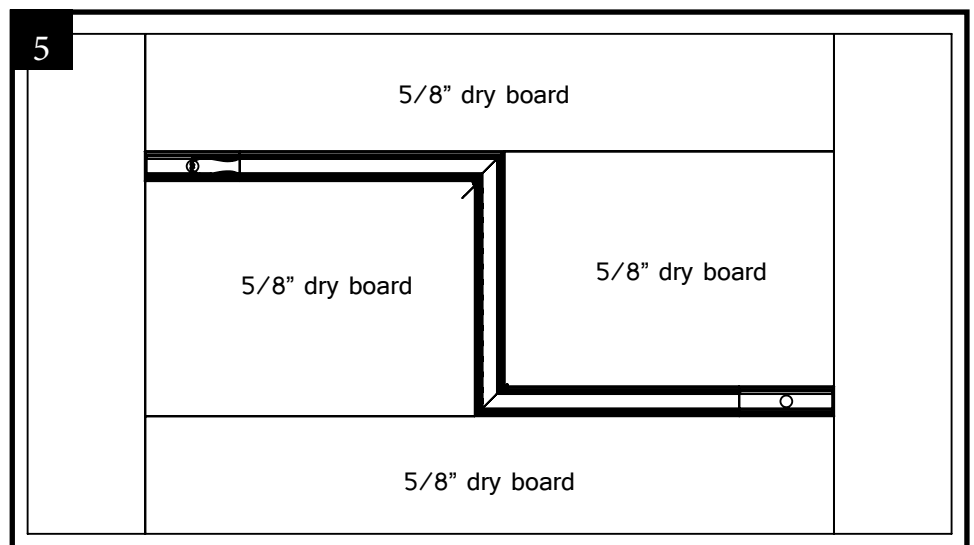
\* Based on your power requirements

**!CAUTION!** To be used with Class 2 Power Units only.



Zig zag installations

5. Install 5/8" dry boards with appropriate screws in aesthetic finish



**!CAUTION!** To be used with Class 2 Power Units only.

6. Install the provided PVC flanges over the sides of the ZENLITE™ flanges and end modules for smooth edge finish before spackling and plaster. Use M3 Flat head countersunk screws to mount the flanges flushed with the 5/8" dry board/sheet rock

7. Before applying the finishing plaster secure and cover the LED tape light enclosure with the box board provided with the ZENLITE™ channel to obtain clean enclosure and flushed lighting fixture. Once the enclosure is properly secured apply a fine quality plaster to give the final touch to the wall

8. Remove the box board and install the provided lens in place.

